



HANDLING AND STORAGE

SERVING THE FOOD INDUSTRY SINCE 1951

## STAINLESS STEEL STOCK CARTS

*Omcans Stainless Steel Stock Carts are sturdily constructed to endure tough everyday handling. Finished for easy cleaning. Great for supermarkets and various food service operations. Shipped knock-down.*



13118



23731



**WARRANTY**



SHIPPED ON PALLET



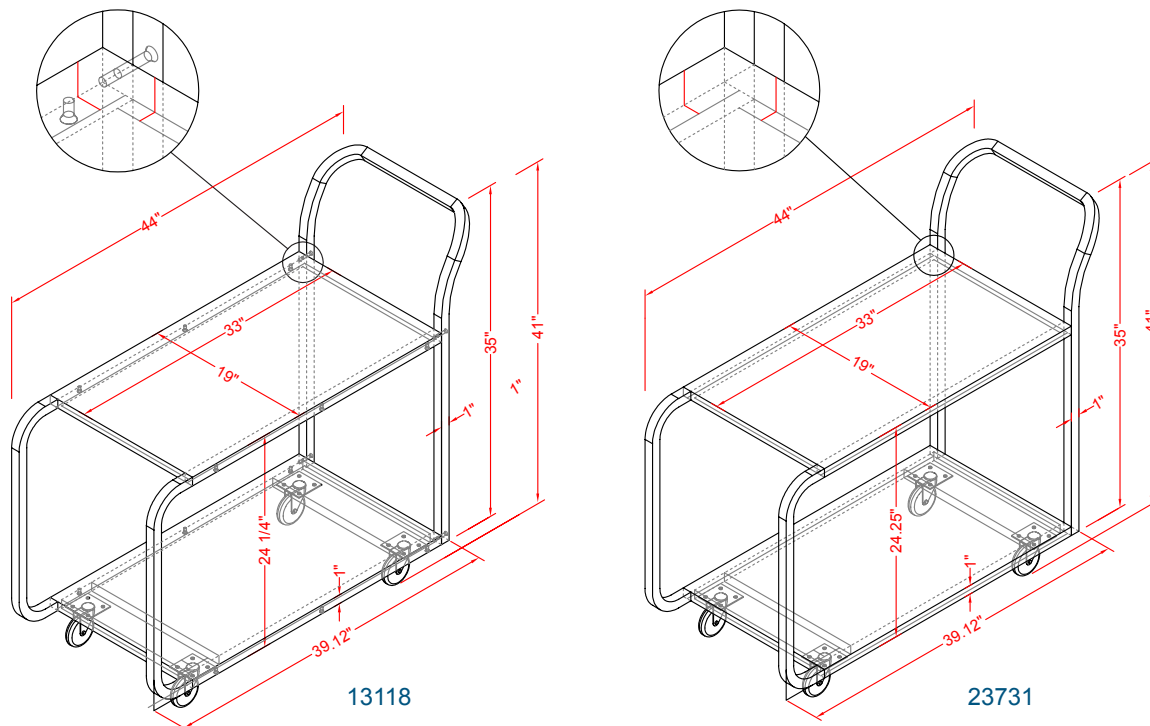
Authorized Dealer

# HANDLING AND STORAGE

## STAINLESS STEEL STOCK CARTS



TECHNICAL DRAWING AND DIMENSIONS



### TECHNICAL SPECIFICATIONS

ITEM	13118	23731
DESCRIPTION	Stainless Steel Stock Cart	Stainless Steel Stock Cart (Welded)
UNDERSHELF	Flat	
CAPACITY	700 lbs. / 318 kg.	
WEIGHT	53 lbs. / 24 kg.	
PACKAGING WEIGHT	57 lbs. / 26 kg.	
DIMENSIONS (DWH)	44" x 19" x 41" / 1118 x 483 x 1041 mm	44" x 19" x 41" / 1118 x 483 x 1041 mm
PACKAGING DIMENSIONS	41" x 26" x 6" / 1041 x 660 x 152 mm	46" x 20" x 43" / 1168 x 508 x 1092 mm

*Assembly required.*

*Fully assembled.*



**WARRANTY**



**OMCAN INC.**

Telephone: 1-800-465-0234

Fax: (905) 607-0234

Email: [sales@omcan.com](mailto:sales@omcan.com)

Website: [www.omcan.com](http://www.omcan.com)



Follow us to keep up to date with the latest news and offers



2016.E.O.E