



ROYAL SERIES PLUMBING

8" CENTER WALL MOUNT PRE-RINSE

MODEL: **17-108W** PROJECT: _____ ITEM #: _____ QTY: _____

PRODUCT IMAGE



17-108W SHOWN

**ALSO AVAILABLE IN LOW LEAD BY
ADDING "L" TO MODEL NUMBER**

STANDARD FEATURES

- 1/4 turn high performance ceramic cartridge valve with built-in back flow preventers
- Heavy-Duty flanges with eccentric fittings for quick installation
- Base constructed of chrome plated brass
- Mounting kit included (1/2" NPT x 1 1/2" male nipples with locknuts)
- Pre-assembled at factory to cut installation time
- 44" heavy-duty stainless steel clad flexible hose. Tested to 400 PSI
- Wall bracket included
- Full replacement parts available
- 1 Year Warranty
- **Low Lead Compliance**
"L" Models meet California AB-1953 and Vermont S152 standards

SPECIFICATIONS

- 8" on center wall mount with 1/2" NPT female inlets
- 35" high with 15" overhang
- Riser Pipe with Hook: 3/8" NPT x 18". Pre-assembled to base at factory
- Water Saver Spray Head: 1 1/2 GPM @ 60 PSI flow rate complies with EPA Act 2005
- Rough in: Two 7/8" round holes on 8" centers
- Temperature Range: 40°F to 180°F
- Flow rate: 2 GPM max
- Shipping weight: 13 lbs.
- Quantity per case: 3



CERTIFICATIONS:

APPROVED BY:

Due to our commitment to continued product improvement, specifications are subject to change without notice.

Printed in the USA

Krowne Metal Corporation

100 Haul Rd. Wayne, NJ 07470 • Toll Free: (800) 631-0442 • Fax: (973) 872-1129
sales@krowne.com • www.krowne.com • www.facebook.com/KrowneMetal • www.twitter.com/KrowneMetal

KaTom Restaurant Supply, Inc.

Rev. 09/2011
No. 17-108W

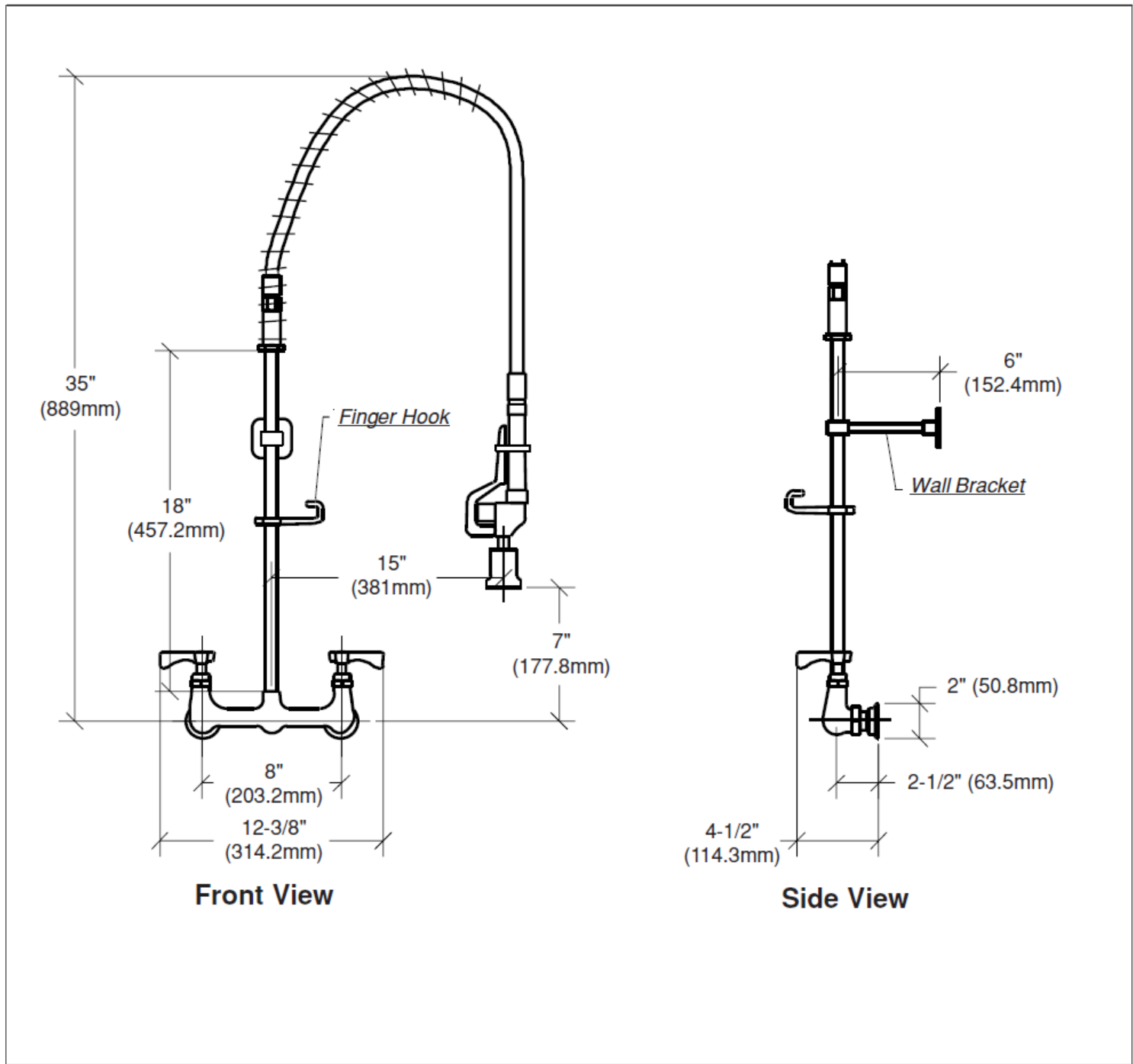


ROYAL SERIES PLUMBING

8" CENTER WALL MOUNT PRE-RINSE

MODEL: **17-108W** PROJECT: _____ ITEM #: _____ QTY: _____

DRAWING



APPROVED BY:

Due to our commitment to continued product improvement, specifications are subject to change without notice.

CERTIFICATIONS:

Printed in the USA

Krowne Metal Corporation

100 Haul Rd. Wayne, NJ 07470 • Toll Free: (800) 631-0442 • Fax: (973) 872-1129
sales@krowne.com • www.krowne.com • www.facebook.com/KrowneMetal • www.twitter.com/KrowneMetal

Rev. 09/2011
No. 17-108W

KaTom Restaurant Supply, Inc.