



HANDLING AND STORAGE

SERVING THE FOOD INDUSTRY SINCE 1951

EQUIPMENT STANDS

Items 24185, 24087, 22056, 22057, 22058,
22059, 22060, 22061, 22062, 37961



Omcans equipment stands feature a durable 18-gauge type 430 stainless steel construction with galvanized legs and galvanized undershelf that can hold a capacity of 350-500 lbs.



WARRANTY



SHIPPED ON PALLET

Only applicable to items
22061 and 22062 only

Authorized Dealer

HANDLING AND STORAGE EQUIPMENT STANDS



Equipment
Stand



Item 37961
Meat Grinder
Table

FEATURES

- 430 Stainless steel construction
- 18-gauge type
- Galvanized legs
- Galvanized undershelf
- Adjustable feet
- Table height is 24"
- Lip size is 1 1/2"

| ITEM | DESCRIPTION (D x W) | LOADING CAPACITY | WEIGHT | UNDERSHELF CAPACITY | PACKAGING WEIGHT | PACKAGING DIMENSIONS |
|--------|-----------------------------------|------------------------|---------------------|------------------------|---------------------|---|
| 24185 | 30" x 12" 762 x 304.8 mm | 500 lbs. / 227 kg. | 31 lbs. / 14 kg. | 350 lbs. / 159 kg. | 34 lbs. / 15.45 kg. | 32" x 14" x 7" 812.8 x 355.6 x 177.8 mm |
| 24087 | 30" x 15" 762 x 381 mm | 500 lbs. / 227 kg. | 34 lbs. / 15.45 kg. | 350 lbs. / 159 kg. | 37 lbs. / 16.82 kg. | 32" x 17" x 7" 812.8 x 431.8 x 177.8 mm |
| 22056 | 30" x 18" 762 x 457.2 mm | 600 lbs. / 272.73 kg. | 36 lbs. / 16.36 kg. | 400 lbs. / 181.82 kg. | 39 lbs. / 17.73 kg. | 32" x 20" x 7" 812.8 x 508 x 177.8 mm |
| 22057 | 30" x 24" 762 x 609.6 mm | 700 lbs. / 318.18 kg. | 40 lbs. / 18.18 kg. | 450 lbs. / 204.55 kg. | 43 lbs. / 19.55 kg. | 32" x 26" x 7" 812.8 x 660.4 x 177.8 mm |
| 22058 | 30" x 30" 762 x 762 mm | 800 lbs. / 363.64 kg. | 47 lbs. / 21.36 kg. | 450 lbs. / 204.55 kg. | 50 lbs. / 22.73 kg. | 32" x 32" x 7" 812.8 x 812.8 x 177.8 mm |
| 22059 | 30" x 36" 762 x 914.4 mm | 900 lbs. / 409.09 kg. | 51 lbs. / 23.18 kg. | 450 lbs. / 204.55 kg. | 54 lbs. / 24.55 kg. | 32" x 38" x 7" 812.8 x 965.2 x 177.8 mm |
| 22060 | 30" x 48" 762 x 1219.2 mm | 1100 lbs. / 500 kg. | 62 lbs. / 28.18 kg. | 500 lbs. / 227.27 kg. | 65 lbs. / 29.55 kg. | 32" x 50" x 7" 812.8 x 1270 x 177.8 mm |
| *22061 | 30" x 60" 762 x 1524 mm | 1200 lbs. / 545.45 kg. | 75 lbs. / 34.09 kg. | 500 lbs. / 227.27 kg. | 78 lbs. / 35.45 kg. | 32" x 65" x 7" 812.8 x 1651 x 177.8 mm |
| *22062 | 30" x 72" 762 x 1828.8 mm | 1300 lbs. / 590.91 kg. | 84 lbs. / 38.18 kg. | 500 lbs. / 227.27 kg. | 87 lbs. / 39.55 kg. | 32" x 74" x 7" 812.8 x 1879.6 x 177.8 mm |
| 37961 | 31" x 31" with 15" back splash | 800 lbs. / 363 kg. | 47 lbs. / 21.3 kg. | 450 lbs. / 204 kg. | 50 lbs. / 22.7 kg. | 32" x 32" x 7" 812.8 x 812.8 x 177.8 mm |



OMCAN INC.

Telephone: 1-800-465-0234

Fax: (905) 607-0234

Email: sales@omcan.com

Website: www.omcan.com

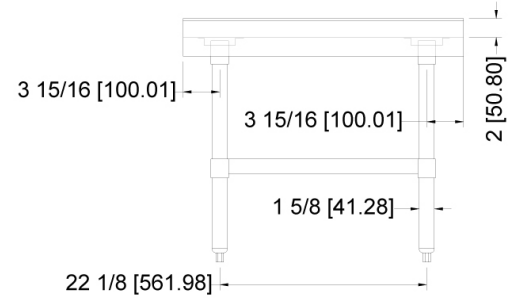
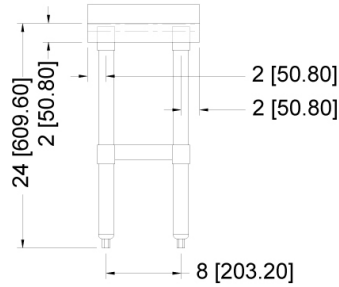
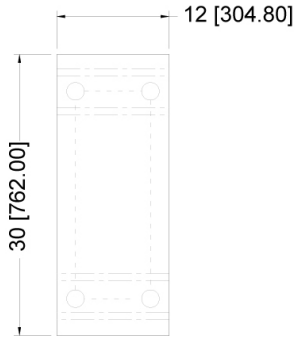


Follow us to keep up to date with the
latest news and offers

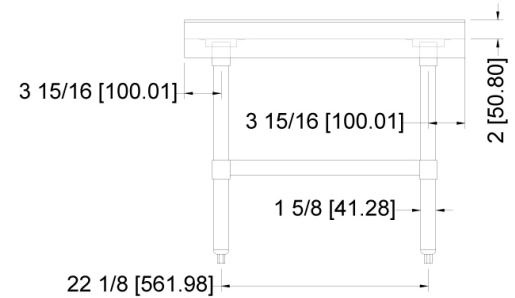
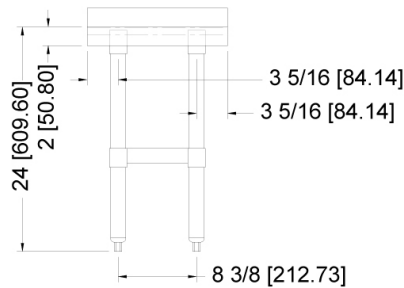
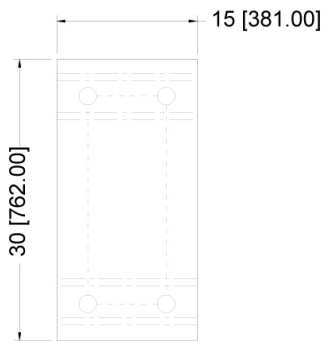


2016.E.O.E

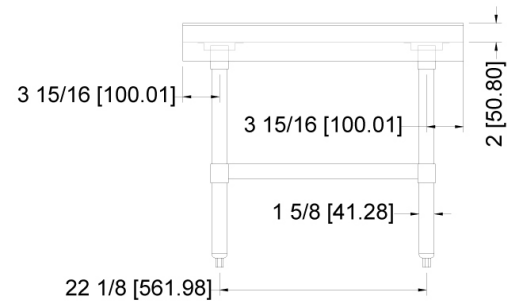
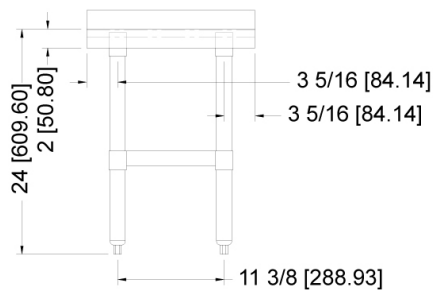
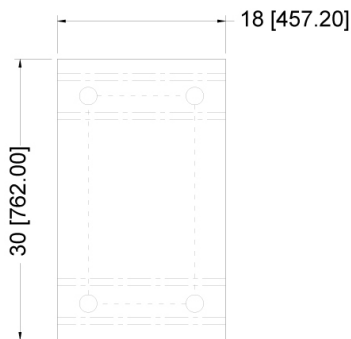
Item 24185



Item 24087



Item 22056



OMCAN INC.

Telephone: 1-800-465-0234

Fax: (905) 607-0234

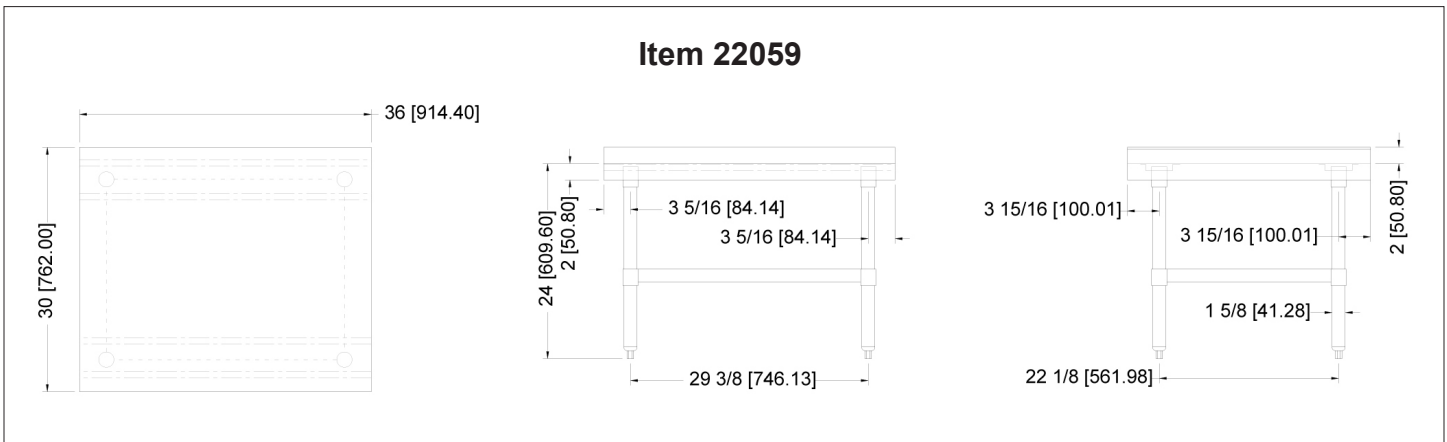
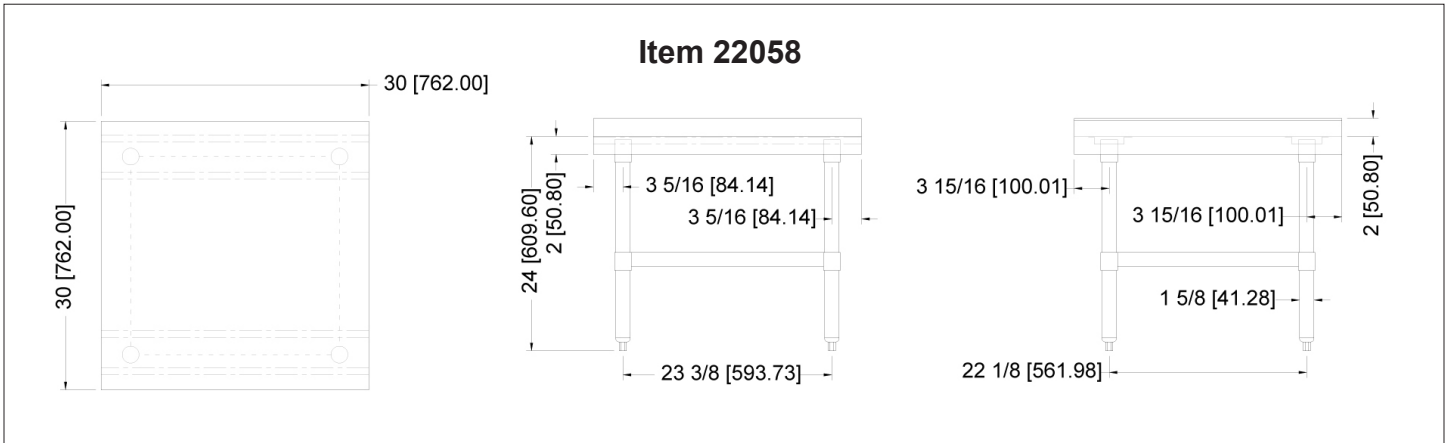
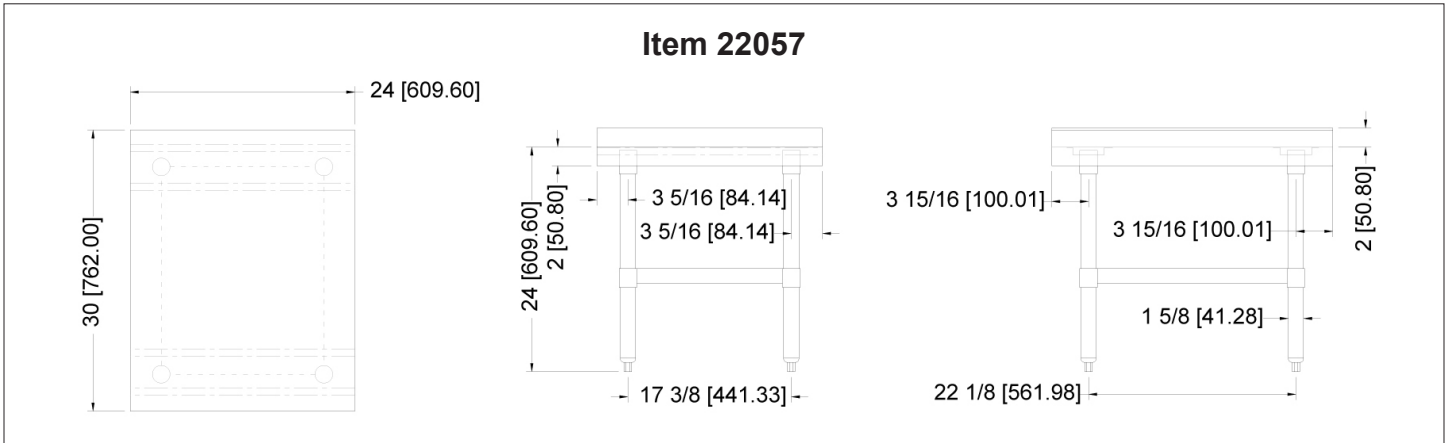
Email: sales@omcan.com

Website: www.omcan.com



Follow us to keep up to date with the latest news and offers





OMCAN INC.

Telephone: 1-800-465-0234

Fax: (905) 607-0234

Email: sales@omcan.com

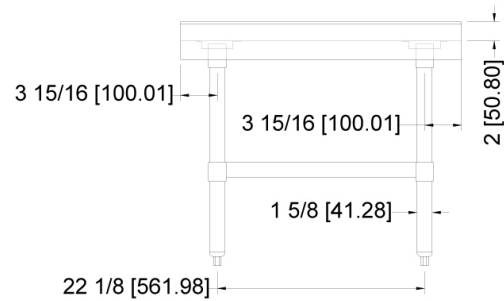
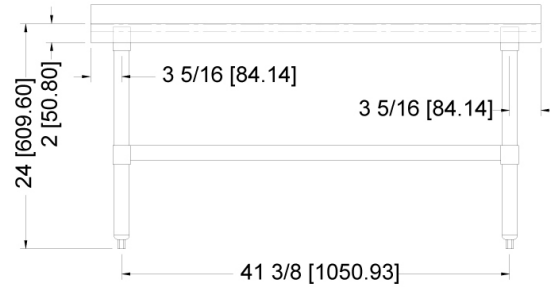
Website: www.omcan.com



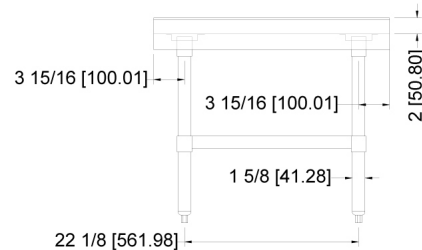
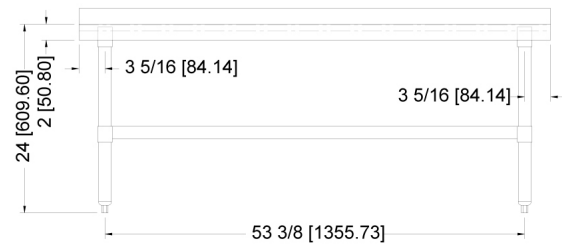
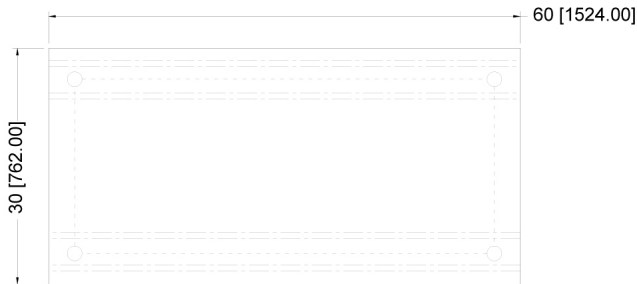
Follow us to keep up to date with the latest news and offers



Item 22060



Item 22061



OMCAN INC.

Telephone: 1-800-465-0234

Fax: (905) 607-0234

Email: sales@omcan.com

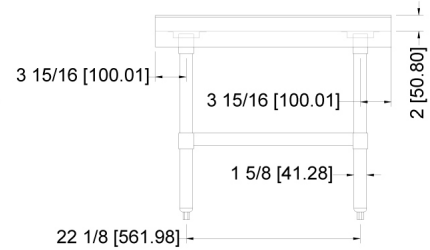
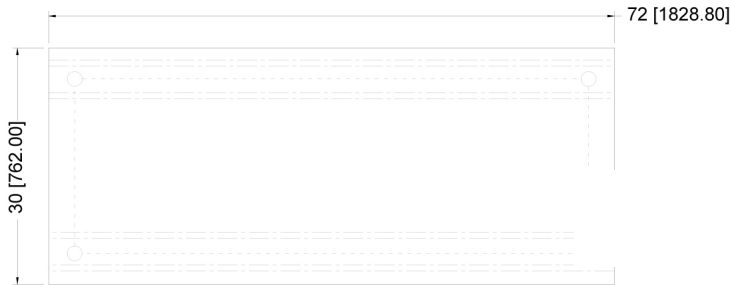
Website: www.omcan.com



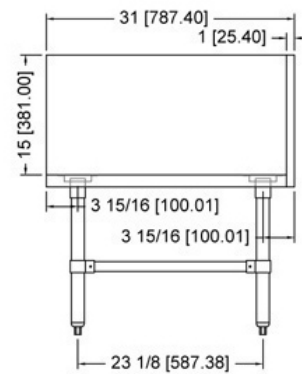
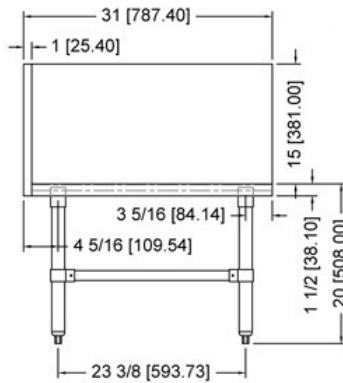
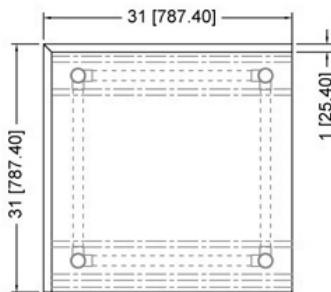
Follow us to keep up to date with the latest news and offers



Item 22062



Item 37961



OMCAN INC.

Telephone: 1-800-465-0234

Fax: (905) 607-0234

Email: sales@omcan.com

Website: www.omcan.com



Follow us to keep up to date with the latest news and offers

