



TABLES AND SINKS

SERVING THE FOOD INDUSTRY SINCE 1951

STAINLESS STEEL OVERSHELVES

**MAXIMIZE YOUR KITCHEN SPACE
BY MAKING IT MORE EFFICIENT TO
STORE PRODUCTS WITHIN REACH**

*Increase storage space for your kitchen
with the Omcan stainless steel overshelves.
Made of 18-gauge 430 stainless steel for
durability and easy cleaning.*



WARRANTY



SHIPPED ON PALLET
Only applicable to
items 23989, 23990



Authorized Dealer

TABLES AND SINKS

STAINLESS STEEL SINGLE DECK OVERSHELVES



PRODUCT DETAILS

- Maximizes the available space in your kitchen
- Made of 18-gauge 430 stainless steel for durability and easy cleaning
- Convenient and simple design
- Stainless steel leg and socket

ITEM	DESCRIPTION	CAPACITY	DIMENSIONS (DWH)	WEIGHT	GROSS DIMENSIONS	GROSS WEIGHT
44616	48-inch Stainless Steel Single Deck Overshelf	380 lbs. 172.4 kg.	12" x 48" x 18" 304.8 x 1219.2 x 457.2 mm	15.4 lbs. 7 kg.	13" x 49" x 2" 330.2 x 1244.6 x 50.8 mm	18.7 lbs. 8.5 kg.
44617	60-inch Stainless Steel Single Deck Overshelf	400 lbs. 181.4 kg.	12" x 60" x 18" 304.8 x 1524 x 457.2 mm	17.6 lbs. 8 kg.	13" x 61" x 2" 330.2 x 1549.4 x 50.8 mm	21.5 lbs. 9.75 kg.
44618	72-inch Stainless Steel Single Deck Overshelf	420 lbs. 190.5 kg.	12" x 72" x 18" 304.8 x 1828.8 x 457.2 mm	19.8 lbs. 9 kg.	13" x 73" x 2" 330.2 x 1854.2 x 50.8 mm	24.4 lbs. 11 kg.



WARRANTY



OMCAN INC.

Telephone: 1-800-465-0234
 Fax: (905) 607-0234
 Email: sales@omcan.com
 Website: www.omcan.com

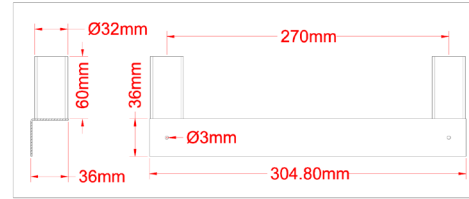
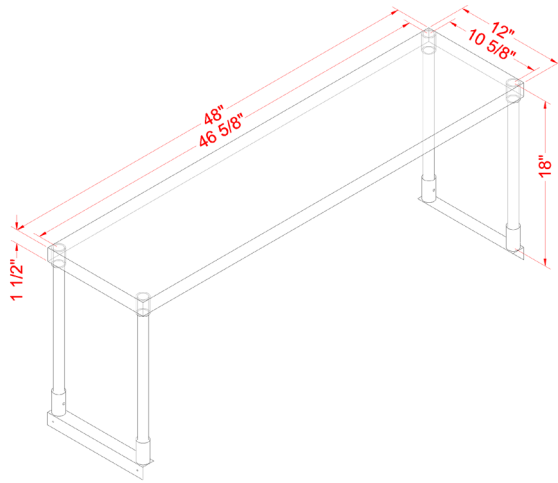


Follow us to keep up to date with the latest news and offers

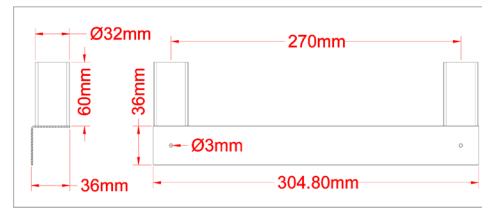
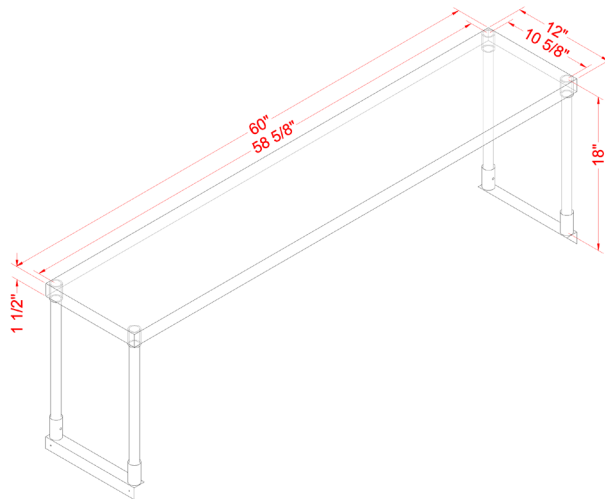


TABLES AND SINKS

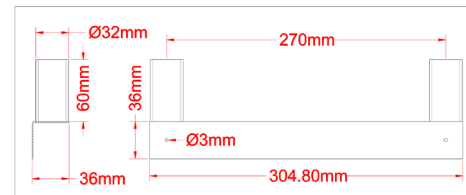
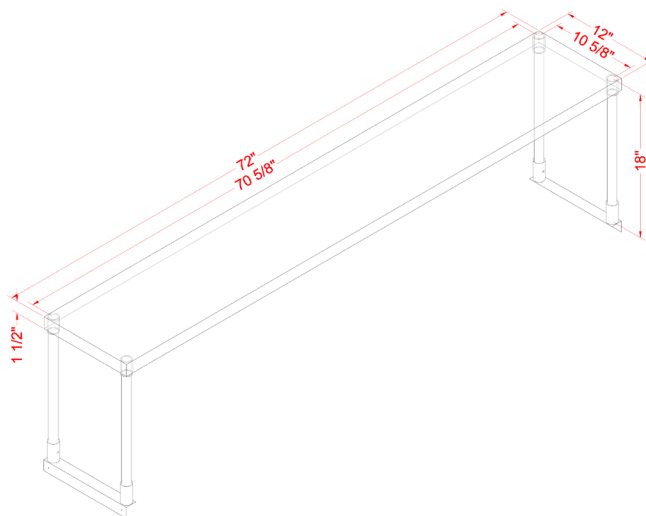
STAINLESS STEEL SINGLE DECK OVERSHELVES



Item 44616



Item 44617



Item 44618

OMCAN INC.

Telephone: 1-800-465-0234
 Fax: (905) 607-0234
 Email: sales@omcan.com
 Website: www.omcan.com



Follow us to keep up to date with the latest news and offers



TABLES AND SINKS

STAINLESS STEEL DOUBLE DECK OVERSHELVES



PRODUCT DETAILS

- Features two storage shelves to utilize maximum space for your kitchen
- Made of 18-gauge 430 stainless steel for durability and easy cleaning
- Convenient and simple design
- Double tier; stainless steel leg and socket
- Bottom shelf can be adjusted up and down

ITEM	DESCRIPTION	CAPACITY	DIMENSIONS (DWH)	GROSS DIMENSIONS	GROSS WEIGHT
23988	48-inch Stainless Steel Double Deck Overshelf	187 lbs. 84.8 kg.	14" x 48" x 32" 355.6 x 1219.2 x 812.8 mm	51" x 18" x 6" 1295.4 x 457.2 x 152.4 mm	40 lbs. 18.1 kg.
*23989	60-inch Stainless Steel Double Deck Overshelf	209 lbs. 94.8 kg.	14" x 60" x 32" 355.6 x 1524 x 812.8 mm	63" x 18" x 6" 1600.2 x 457.2 x 152.4 mm	45 lbs. 20.4 kg.
*23990	72-inch Stainless Steel Double Deck Overshelf	209 lbs. 94.8 kg.	14" x 72" x 32" 355.6 x 1828.8 x 812.8 mm	75" x 18" x 6" 1905 x 457.2 x 152.4 mm	54 lbs. 24.5 kg.



WARRANTY



OMCAN INC.

Telephone: 1-800-465-0234
 Fax: (905) 607-0234
 Email: sales@omcan.com
 Website: www.omcan.com

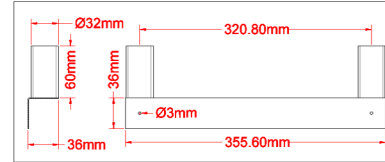
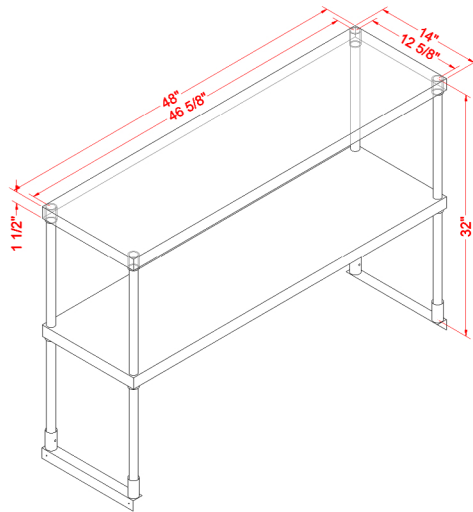


Follow us to keep up to date with the latest news and offers

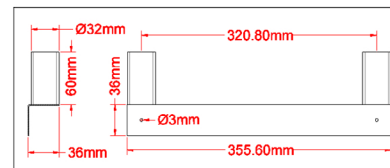
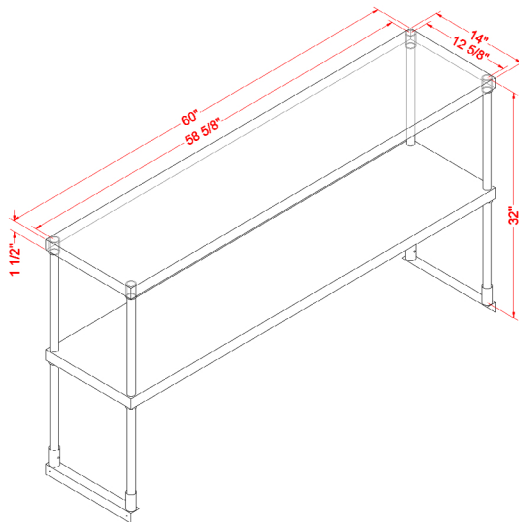


TABLES AND SINKS

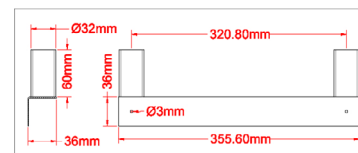
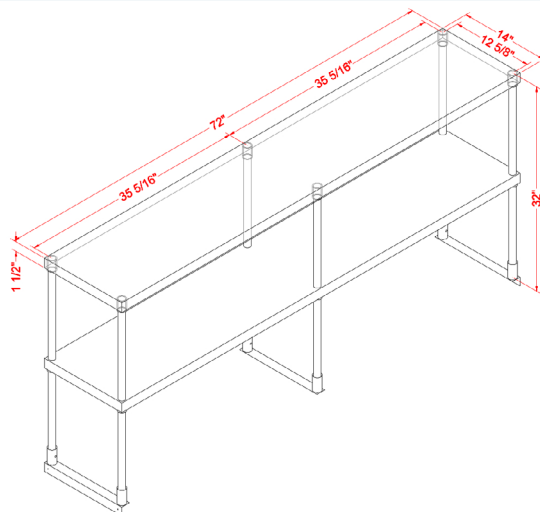
STAINLESS STEEL DOUBLE DECK OVERSHELVES



Item 23988



Item 23989



Item 23990

OMCAN INC.

Telephone: 1-800-465-0234
 Fax: (905) 607-0234
 Email: sales@omcan.com
 Website: www.omcan.com



Follow us to keep up to date with the latest news and offers

