



SERVING THE FOOD INDUSTRY SINCE 1951

UNDER BAR SINK WITH 3 COMPARTMENTS

Item: 25274



LIMITED WARRANTY



Authorized Dealer

WAREWASHING/HANDLING

UNDER BAR SINK WITH 3 COMPARTMENTS



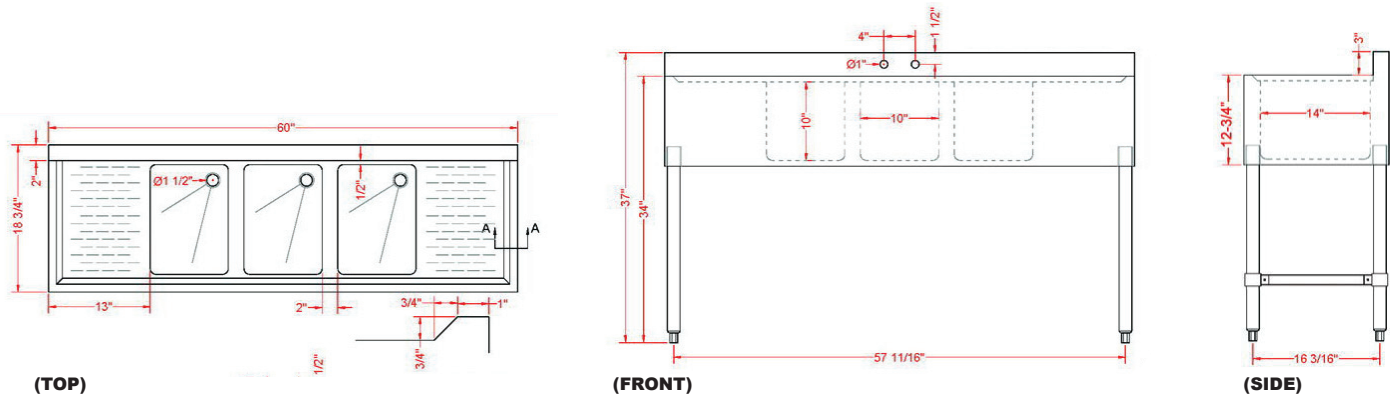
FEATURES



Corner Drain Guards

- Comes with corner drain guards
- Three compartments
- Two drain boards
- Gauge: 18
- Stainless Steel: 304
- Two 1" (Dia.) faucet holes are on center. 4" apart
- Shipped with legs removed

TECHNICAL SPECIFICATION



TECHNICAL SPECIFICATION

ITEM NUMBER	25274
DESCRIPTION	Under bar sink with 3 compartments & two drain boards
SIZE OF COMPARTMENT	10" x 14" x 10" / 254 x 355.6 x 254 mm
MATERIAL	Stainless Steel
WEIGHT	77 lbs/ 35 kg
DIMENSIONS (WDH)	60" x 18 3/4" x 37" / 1524 x 476.3 x 940 mm



180 DAYS LIMITED WARRANTY



OMCAN INC.

Telephone: 1-800-465-0234
 Fax: (905) 607-0234
 Email: sales@omcan.com
 Website: www.omcan.com



Follow us to keep up to date with the latest news and offers

