



STORAGE SOLUTION

SERVING THE FOOD INDUSTRY SINCE 1951

POLY-TOP WORK TABLES WITHOUT BACKSPLASH



Poly-top work tables with undershelves

Made of stainless steel frame, these poly top tables are perfect for deli shops, sandwich shops, restaurants, and other commercial kitchen. The shelf can be used as a storage for ingredient bins, knives, and other kitchen tools or supplies that is needed while preparing and cooking. Poly cutting boards sold separately.



WARRANTY



*Only applies to items
41278 and 41280*



Authorized Dealer

STORAGE SOLUTION

SOLID POLY TOP FRAME WITH SHELF 24" x 48"

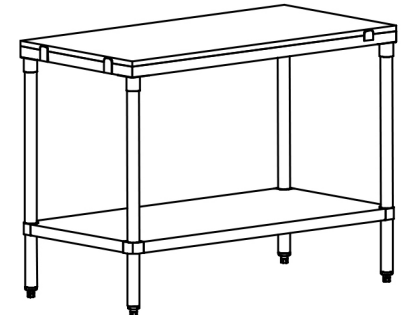
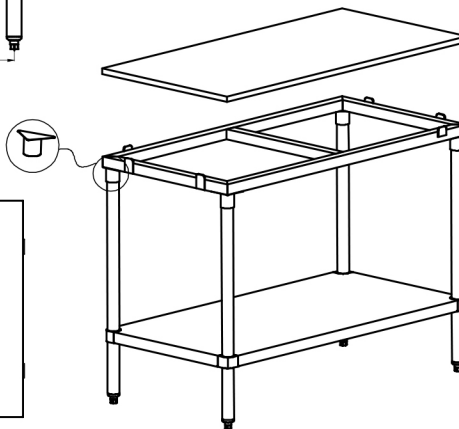
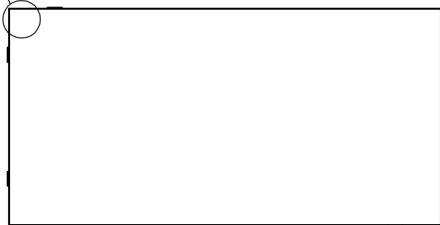
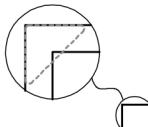
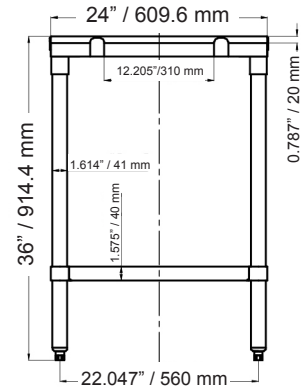
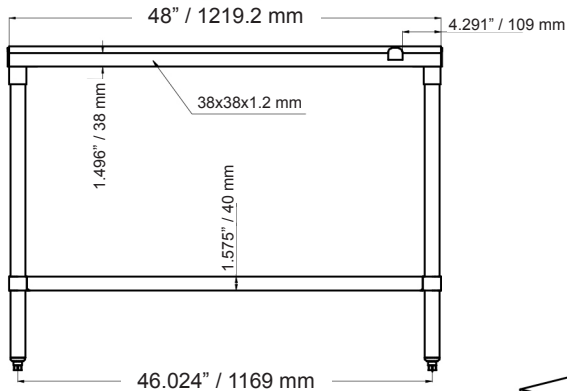


ITEM	40411
UNDERSHELF ITEM NO.	44279
DESCRIPTION	Stainless Steel Solid Poly Top Frame With Shelf 24" x 48"
OVER-ALL LOADING CAPACITY	600 lbs. / 272 kg.
UNDERSHELF CAPACITY	440 lbs. / 200 kg.
WEIGHT	42 lbs. / 19 kg.
PACKAGING WEIGHT	46.2 lbs. / 21 kg.
DIMENSIONS (DWH)	24" x 48" x 36" 609.6 x 1219.2 x 914.4 mm
PACKAGING DIMENSIONS	26" x 50" x 9" 660.4 x 1270 x 228.6 mm

OPTIONAL POLY BOARDS *(Items sold separately)*

- **ITEM 43185:** 24" x 48" x 3/4" Poly Board (Loading Capacity: 490 lbs.)
- **ITEM 43186:** 24" x 48" x 1" Poly Board (Loading Capacity: 540 lbs.)

TECHNICAL DRAWINGS AND DIMENSIONS



OMCAN INC.

Telephone: 1-800-465-0234
 Fax: (905) 607-0234
 Email: sales@omcan.com
 Website: www.omcan.com



Follow us to keep up to date with the latest news and offers



STORAGE SOLUTION

SOLID POLY TOP FRAME WITH SHELF 30" x 36"

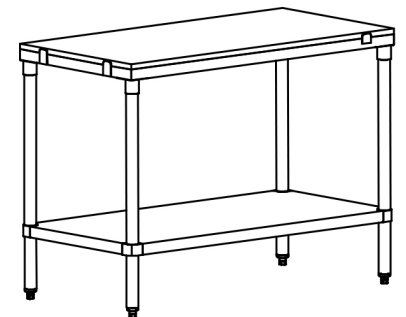
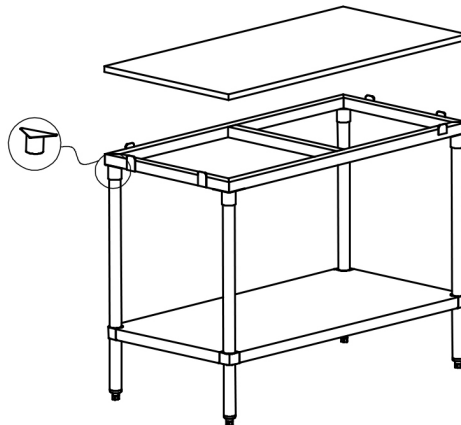
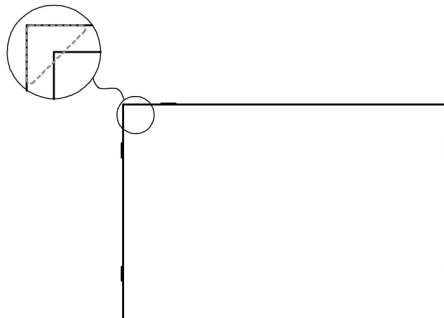
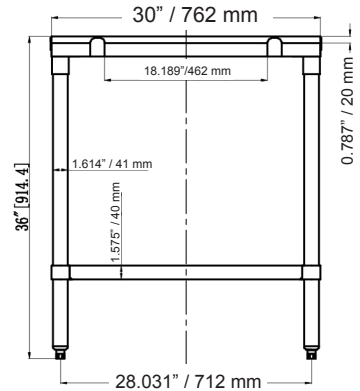
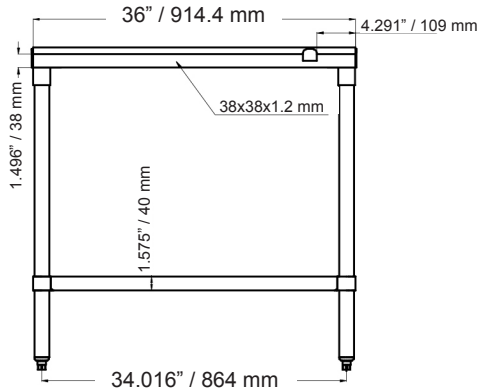


ITEM	41274
UNDERSHELF ITEM NO.	44280
DESCRIPTION	Stainless Steel Solid Poly Top Frame With Shelf 30" x 36"
OVER-ALL LOADING CAPACITY	600 lbs. / 272 kg
UNDERSHELF CAPACITY	440 lbs. / 200 kg.
WEIGHT	40.7 lbs. / 18.5 kg.
PACKAGING WEIGHT	45.1 lbs. / 20.5 kg.
DIMENSIONS (DWH)	30" x 36" x 36" 762 x 914.4 x 914.4 mm
PACKAGING DIMENSIONS	32" x 38" x 9" 812.8 x 965.2 x 228.6 mm

OPTIONAL POLY BOARDS *(Items sold separately)*

- **ITEM 43187:** 30" x 36" x 3/4" Poly Board (Loading Capacity: 490 lbs.)
- **ITEM 43188:** 30" x 36" x 1" Poly Board (Loading Capacity: 540 lbs.)

TECHNICAL DRAWINGS AND DIMENSIONS



OMCAN INC.

Telephone: 1-800-465-0234
 Fax: (905) 607-0234
 Email: sales@omcan.com
 Website: www.omcan.com



Follow us to keep up to date with the latest news and offers



STORAGE SOLUTION

SOLID POLY TOP FRAME WITH SHELF 30" x 48"

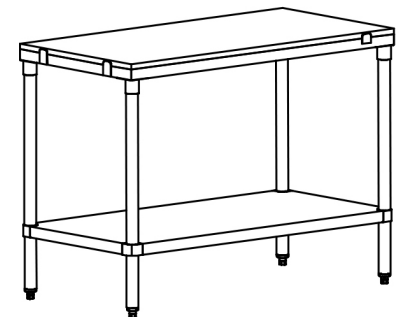
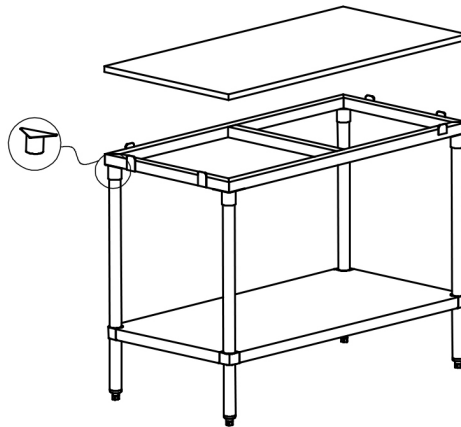
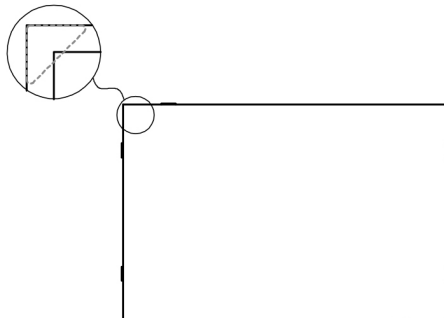
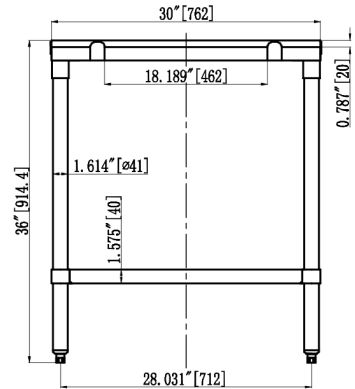
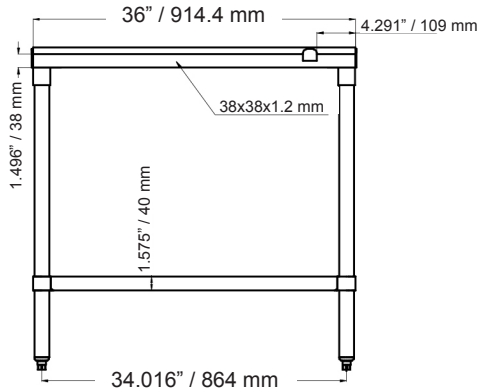


ITEM	41276
UNDERSHELF ITEM NO.	44281
DESCRIPTION	Stainless Steel Solid Poly Top Frame With Shelf 30" x 48"
OVER-ALL LOADING CAPACITY	700 lbs. / 317.5 kg.
UNDERSHELF CAPACITY	465 lbs. / 210.9 kg.
WEIGHT	47.3 lbs. / 21.4 kg.
PACKAGING WEIGHT	51.7 lbs. / 23.4 kg.
DIMENSIONS (DWH)	30" x 48" x 36" 762 x 1219.2 x 914.4 mm
PACKAGING DIMENSIONS	32" x 50" x 9" 812.8 x 1270 x 228.6 mm

OPTIONAL POLY BOARDS *(Items sold separately)*

- **ITEM 43189:** 30" x 48" x 3/4" Poly Board (Loading Capacity: 545 lbs.)
- **ITEM 43190:** 30" x 48" x 1" Poly Board (Loading Capacity: 585 lbs.)

TECHNICAL DRAWINGS AND DIMENSIONS



OMCAN INC.

Telephone: 1-800-465-0234
 Fax: (905) 607-0234
 Email: sales@omcan.com
 Website: www.omcan.com



Follow us to keep up to date with the latest news and offers



STORAGE SOLUTION

SOLID POLY TOP FRAME WITH SHELF 30" x 60"

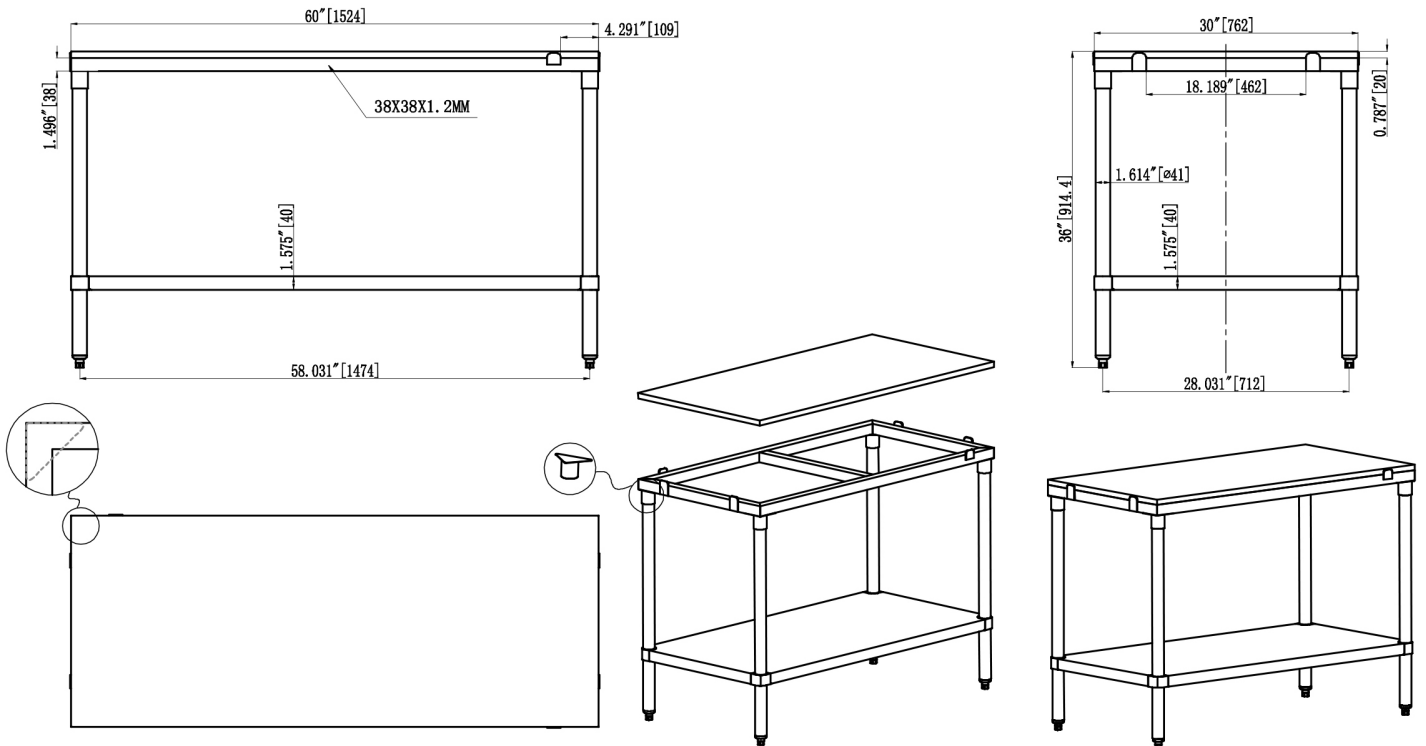


ITEM	41278
UNDERSHELF ITEM NO.	44282
DESCRIPTION	Stainless Steel Solid Poly Top Frame With Shelf 30" x 60"
OVER-ALL LOADING CAPACITY	800 lbs. / 362.8 kg.
UNDERSHELF CAPACITY	490 lbs. / 222.3 kg.
WEIGHT	54 lbs. / 24.4 kg.
PACKAGING WEIGHT	58.3 lbs. / 26.4 kg.
DIMENSIONS (DWH)	30" x 60" x 36" 762 x 1524 x 914.4 mm
PACKAGING DIMENSIONS	32" x 62" x 9" 812.8 x 1574.8 x 228.6

OPTIONAL POLY BOARDS *(Items sold separately)*

- **ITEM 43191:** 30" x 60" x 3/4" Poly Board (Loading Capacity: 590 lbs.)
- **ITEM 43192:** 30" x 60" x 1" Poly Board (Loading Capacity: 630 lbs.)

TECHNICAL DRAWINGS AND DIMENSIONS



OMCAN INC.

Telephone: 1-800-465-0234
 Fax: (905) 607-0234
 Email: sales@omcan.com
 Website: www.omcan.com



Follow us to keep up to date with the latest news and offers



STORAGE SOLUTION

SOLID POLY TOP FRAME WITH SHELF 30" x 72"

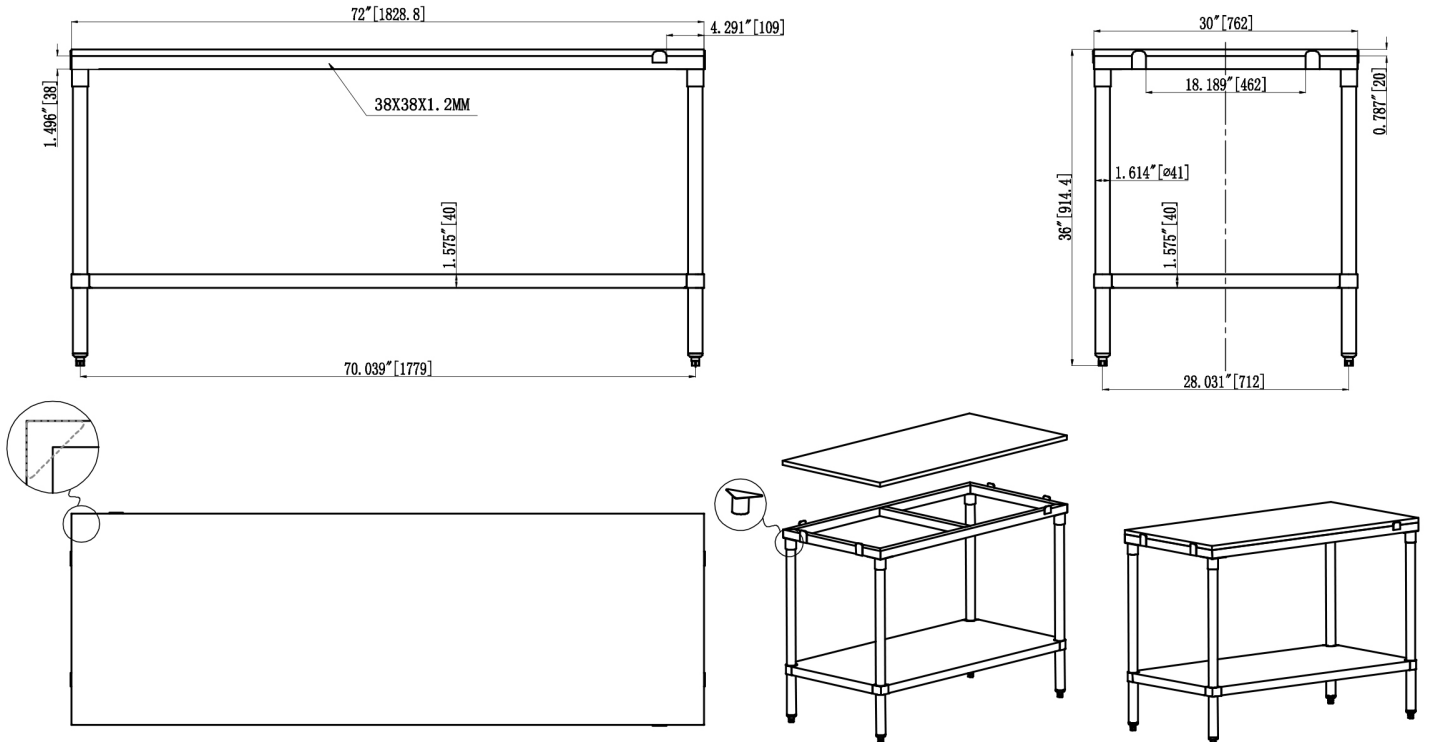


ITEM	41280
UNDERSHELF ITEM NO.	44245
DESCRIPTION	Stainless Steel Solid Poly Top Frame With Shelf 30" x 72"
OVER-ALL LOADING CAPACITY	900 lbs. / 408.2 kg.
UNDERSHELF CAPACITY	502 lbs. / 227.7 kg.
WEIGHT	60.5 lbs. / 27.4 kg.
PACKAGING WEIGHT	68.2 lbs. / 30.9 kg.
DIMENSIONS (DWH)	30" x 72" x 36" 762 x 1828.8 x 914.4 mm
PACKAGING DIMENSIONS	32" x 74" x 9" 812.8 x 1879.6 x 228.6 mm

OPTIONAL POLY BOARDS *(Items sold separately)*

- **ITEM 43193:** 30" x 72" x 3/4" Poly Board (Loading Capacity: 620 lbs.)
- **ITEM 43194:** 30" x 72" x 1" Poly Board (Loading Capacity: 660 lbs.)

TECHNICAL DRAWINGS AND DIMENSIONS



OMCAN INC.

Telephone: 1-800-465-0234
 Fax: (905) 607-0234
 Email: sales@omcan.com
 Website: www.omcan.com



Follow us to keep up to date with the latest news and offers

