



SERVING THE FOOD INDUSTRY SINCE 1951

POT SINKS - TWO TUB SINK WITH CENTER / CORNER DRAIN

FEATURES:

- Comes with drain guards
- 18-gauge stainless steel
- Faucet holes are 1" on center
- Shipped with legs removed
- Drain size: 1.8" / 4.6 cm
- Corner drain or center drain



Authorized Dealer



LIMITED WARRANTY

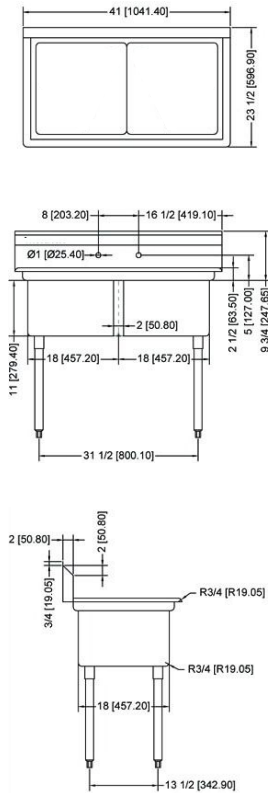


WAREWASHING/HANDLING

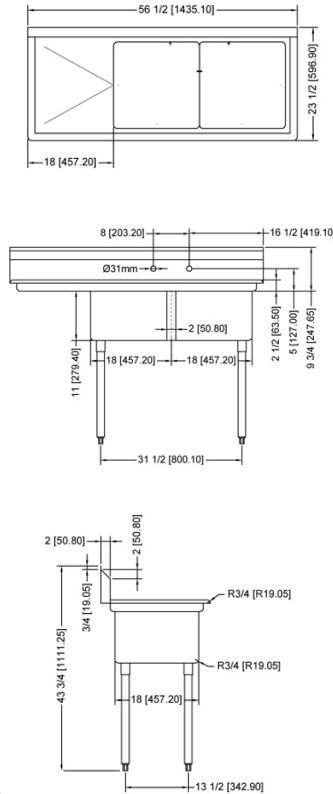
POT SINK - 18" x 18" x 11" TWO TUB SINK



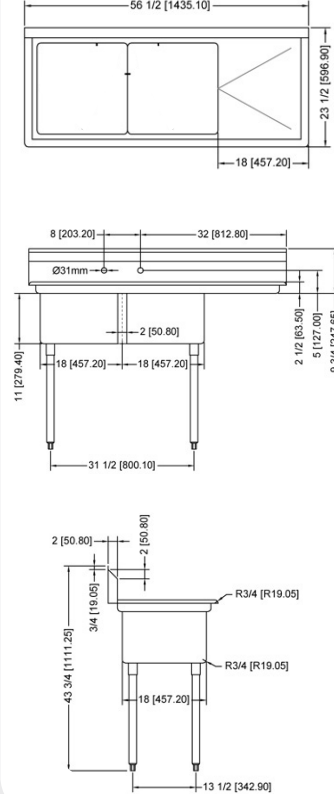
TWO TUB SINK WITHOUT DRAIN BOARD



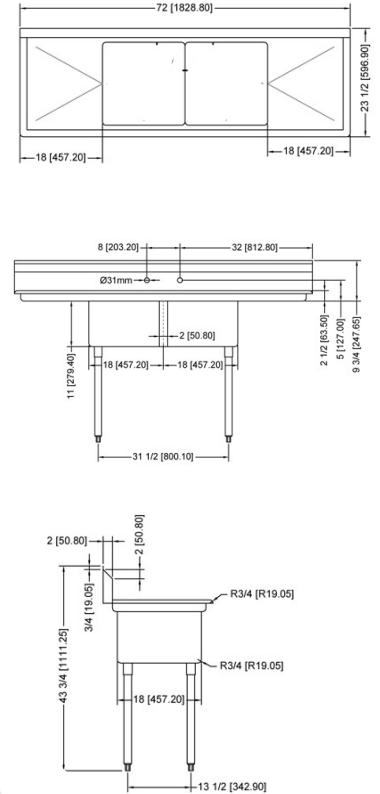
TWO TUB SINK WITH LEFT DRAIN BOARD



TWO TUB SINK WITH RIGHT DRAIN BOARD



TWO TUB SINK WITH TWO DRAIN BOARD



TECHNICAL SPECIFICATION

ITEM NUMBER	DESCRIPTION	DIMENSIONS OF SINK	DRAIN BOARD	OVERALL DIMENSIONS	WEIGHT
22113	Two tub sink with corner drain	18" x 18" x 11"	N/A	41" x 23 1/2" x 44"/ 1041.4 x 597 x 1117.6 mm	55 lbs/ 25 kg
43769	Two tub sink with center drain	457 x 457 x 279.4 mm			
25250	Two tub sink with corner drain	18" x 18" x 11"	Left	56 1/2" x 23 1/2" x 44"/ 1435 x 597 x 1117.6 mm	88 lbs/ 40 kg
43768	Two tub sink with center drain	457 x 457 x 279.4 mm			
25251	Two tub sink with corner drain	18" x 18" x 11"	Right	56 1/2" x 23 1/2" x 44"/ 1435 x 597 x 1117.6 mm	88 lbs/ 40 kg
43770	Two tub sink with center drain	457 x 457 x 279.4 mm			
25252	Two tub sink with corner drain	18" x 18" x 11"	2	72" x 23 1/2" x 44"/ 1829 x 597 x 1117.6 mm	97 lbs/ 44 kg
43767	Two tub sink with center drain	457 x 457 x 279.4 mm			

OPTIONAL ACCESSORIES

21136	Leg brace for 18" x 18" sink
21142	Stainless steel knockdown drain board for 18" x 18" sink



21142 - Detail 1



21142 - Detail 2

OMCAN INC.

Telephone: 1-800-465-0234

Fax: (905) 607-0234

Email: sales@omcan.com

Website: www.omcan.com



Follow us to keep up to date with the latest news and offers



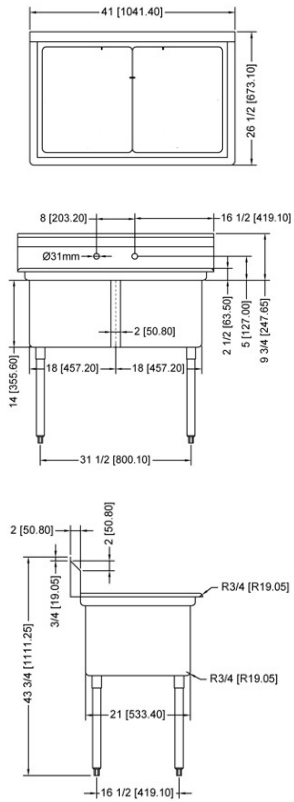
2015.E.O.E

WAREWASHING/HANDLING

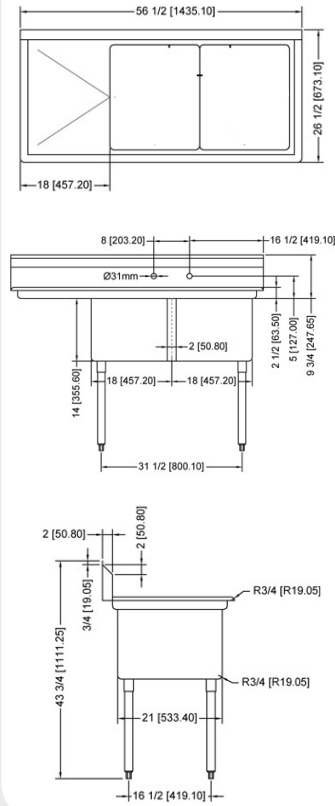
POT SINK - 18" x 21" x 14" TWO TUB SINK



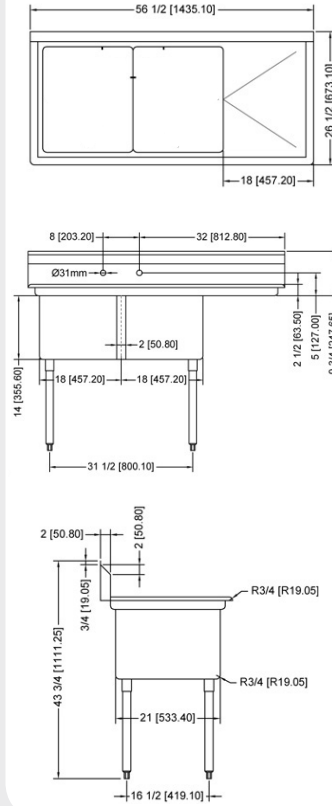
**TWO TUB SINK
WITHOUT DRAIN BOARD**



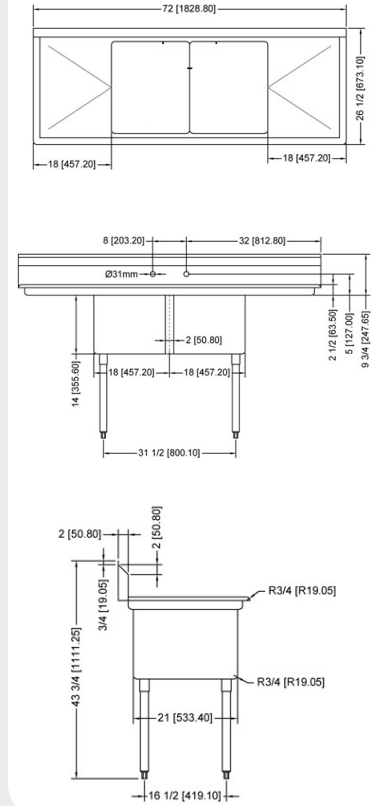
**TWO TUB SINK
WITH LEFT DRAIN BOARD**



**TWO TUB SINK
WITH RIGHT DRAIN BOARD**



**TWO TUB SINK
WITH TWO DRAIN BOARD**



TECHNICAL SPECIFICATION

ITEM NUMBER	DESCRIPTION	DIMENSIONS OF SINK	DRAIN BOARD	OVERALL DIMENSIONS	WEIGHT
25266	Two tub sink with corner drain	18" x 21" x 14"/ 457 x 533 x 355.6 mm	N/A	41" x 26 1/2" x 44"/ 1041.4 x 673 x 1117.6 mm	77 lbs/ 35 kg
43780	Two tub sink with center drain				
25267	Two tub sink with corner drain	18" x 21" x 14"/ 457 x 533 x 355.6 mm	Left	56 1/2" x 26 1/2" x 44"/ 1435 x 673 x 1117.6 mm	86 lbs/ 39 kg
43779	Two tub sink with center drain				
25268	Two tub sink with corner drain	18" x 21" x 14"/ 457 x 533 x 355.6 mm	Right	56 1/2" x 26 1/2" x 44"/ 1435 x 673 x 1117.6 mm	86 lbs/ 39 kg
43781	Two tub sink with center drain				
25269	Two tub sink with corner drain	18" x 21" x 14"/ 457 x 533 x 355.6 mm	2	72" x 26 1/2" x 44"/ 1829 x 673 x 1117.6 mm	95 lbs/ 43 kg
43782	Two tub sink with center drain				

OPTIONAL ACCESSORY

31485	Leg brace for 18" x 21" Two tub sink
-------	--------------------------------------

OMCAN INC.

Telephone: 1-800-465-0234
 Fax: (905) 607-0234
 Email: sales@omcan.com
 Website: www.omcan.com



Follow us to keep up to date with the latest news and offers



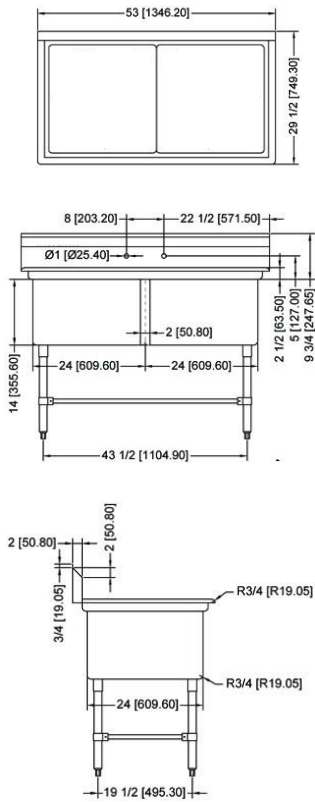
2015.E.O.E

WAREWASHING/HANDLING

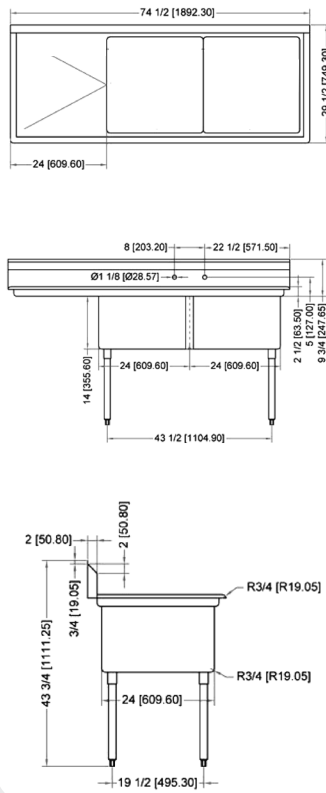
POT SINK - 24" x 24" x 14" TWO TUB SINK



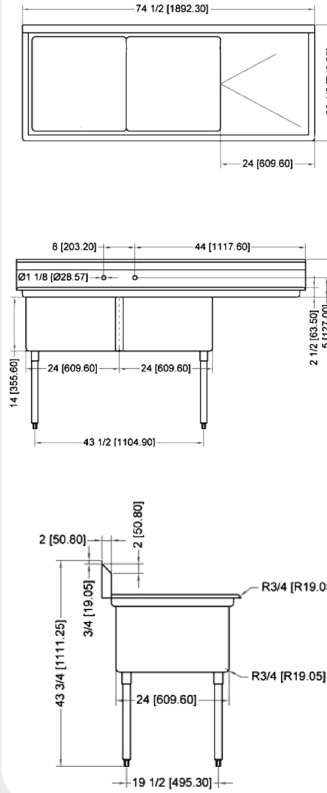
**TWO TUB SINK
WITHOUT DRAIN BOARD**



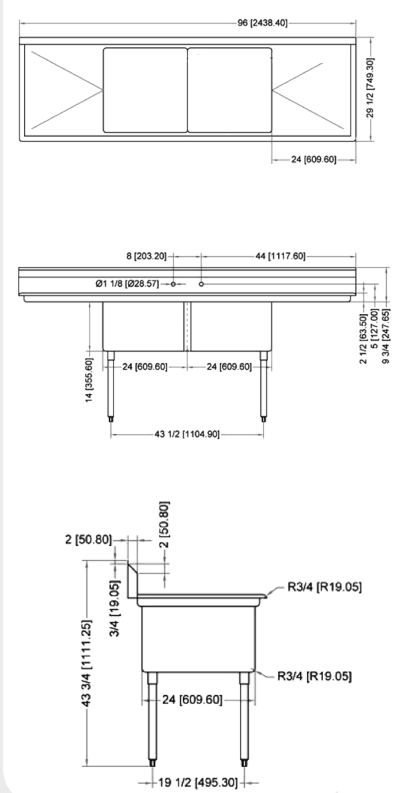
**TWO TUB SINK
WITH LEFT DRAIN BOARD**



**TWO TUB SINK
WITH RIGHT DRAIN BOARD**



**TWO TUB SINK
WITH TWO DRAIN BOARD**



TECHNICAL SPECIFICATION

ITEM NUMBER	DESCRIPTION	DIMENSIONS OF SINK	DRAIN BOARD	OVERALL DIMENSIONS	WEIGHT
22119	Two tub sink with corner drain	24" x 24" x 14"/ 609.6 x 609.6 x 355.6 mm	N/A	53" x 29 1/2" x 44"/ 1346.2 x 749 x 1117.6 mm	80 lb/ 36 kg
43791	Two tub sink with center drain				
25256	Two tub sink with corner drain	24" x 24" x 14"/ 609.6 x 609.6 x 355.6 mm	Left	74 1/2" x 29 1/2" x 44"/ 1892 x 749 x 1117.6 mm	106 lb/ 48 kg
43790	Two tub sink with center drain				
25257	Two tub sink with corner drain	24" x 24" x 14"/ 609.6 x 609.6 x 355.6 mm	Right	74 1/2" x 29 1/2" x 44"/ 1892 x 749 x 1117.6 mm	106 lb/ 48 kg
43792	Two tub sink with center drain				
25258	Two tub sink with corner drain	24" x 24" x 14"/ 609.6 x 609.6 x 355.6 mm	2	96" x 29 1/2" x 44"/ 2438 x 749 x 1117.6 mm	120 lb/ 54.4 kg
43793	Two tub sink with center drain				

OPTIONAL ACCESSORIES

21140	Leg brace for 24" x 24" two tub sink
21143	Stainless steel knockdown drain board for 24" x 24" sink



21143 - Detail 1



21143 - Detail 2

OMCAN INC.

Telephone: 1-800-465-0234
 Fax: (905) 607-0234
 Email: sales@omcan.com
 Website: www.omcan.com



Follow us to keep up to date with the latest news and offers

