



WAREWASHING/HANDLING

SERVING THE FOOD INDUSTRY SINCE 1951

POT SINKS - THREE TUB SINK WITH CENTER / CORNER DRAIN

FEATURES:

- Comes with drain guards
- 18-gauge stainless steel
- Faucet holes are 1" on center
- Shipped with legs removed
- Drain size: 1.8" / 4.6 cm
- Corner drain or center drain



Authorized Dealer



WARRANTY

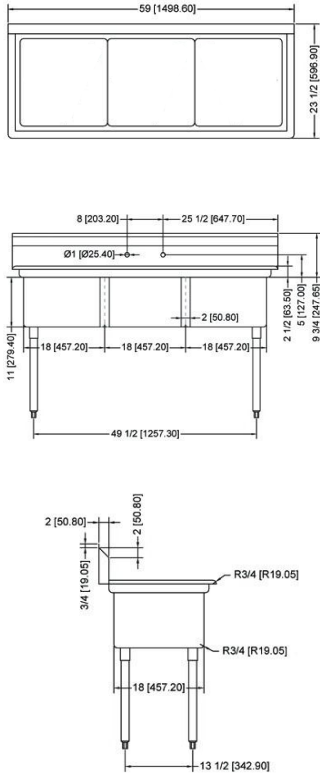


WAREWASHING/HANDLING

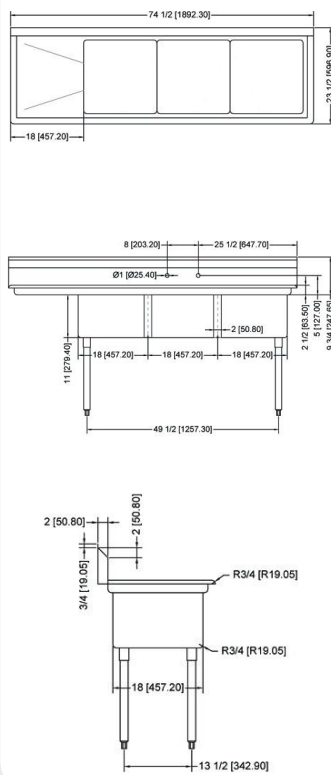
POT SINK - 18" x 18" x 11" THREE TUB SINK



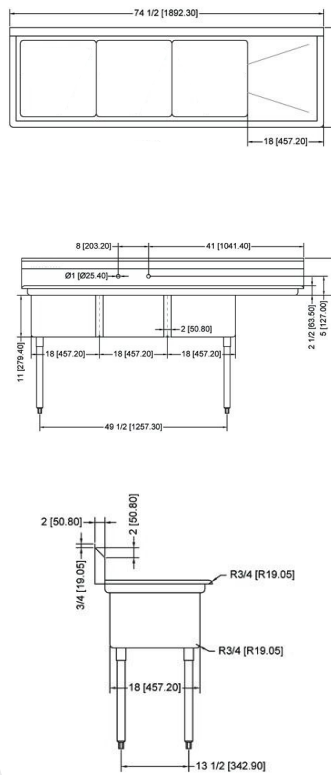
**THREE TUB SINK
WITHOUT DRAIN BOARD**



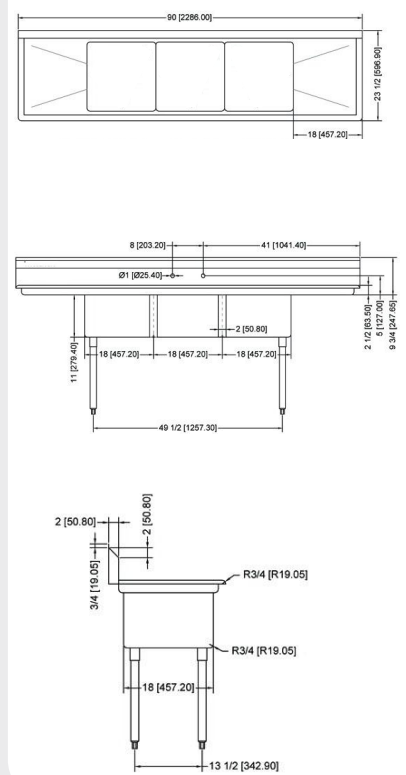
**THREE TUB SINK
WITH LEFT DRAIN BOARD**



**THREE TUB SINK
WITH RIGHT DRAIN BOARD**



**THREE TUB SINK
WITH TWO DRAIN BOARD**



TECHNICAL SPECIFICATION

ITEM NUMBER	DESCRIPTION	DIMENSIONS OF SINK	DRAIN BOARD	OVERALL DIMENSIONS	WEIGHT
22114	Three tub sink with corner drain	18" x 18" x 11"	N/A	59" x 23 1/2" x 44"/ 1498.6 x 597 x 1117.6 mm	75 lb/ 34 kg
43765	Three tub sink with center drain	457 x 457 x 279.4 mm			
22115	Three tub sink with corner drain	18" x 18" x 11"	Left	75" x 23 1/2" x 44"/ 1905 x 597 x 1117.6 mm	80 lb/ 36.3 kg
43764	Three tub sink with center drain	457 x 457 x 279.4 mm			
22116	Three tub sink with corner drain	18" x 18" x 11"	Right	75" x 23 1/2" x 44"/ 1905 x 597 x 1117.6 mm	80 lb/ 36.3 kg
43766	Three tub sink with center drain	457 x 457 x 279.4 mm			
22117	Three tub sink with corner drain	18" x 18" x 11"	2	90" x 23 1/2" x 44"/ 2286 x 597 x 1117.6 mm	95 lb/ 43 kg
43763	Three tub sink with center drain	457 x 457 x 279.4 mm			

OPTIONAL ACCESSORIES

21137	Leg brace for 18" x 18" sink
21142	Stainless steel knockdown drain board for 18" x 18" sink



21142 - Detail 1



21142 - Detail 2

OMCAN INC.

Telephone: 1-800-465-0234
 Fax: (905) 607-0234
 Email: sales@omcan.com
 Website: www.omcan.com



Follow us to keep up to date with the latest news and offers

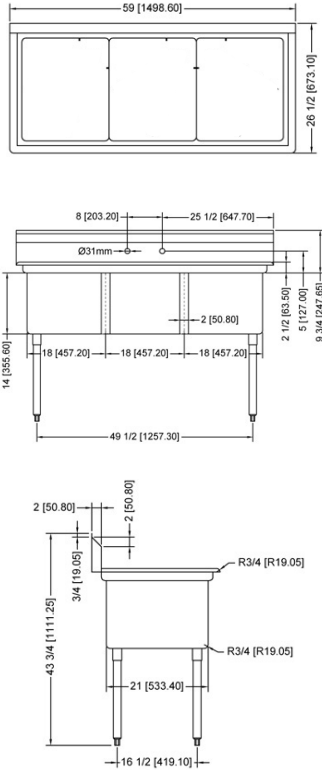


WAREWASHING/HANDLING

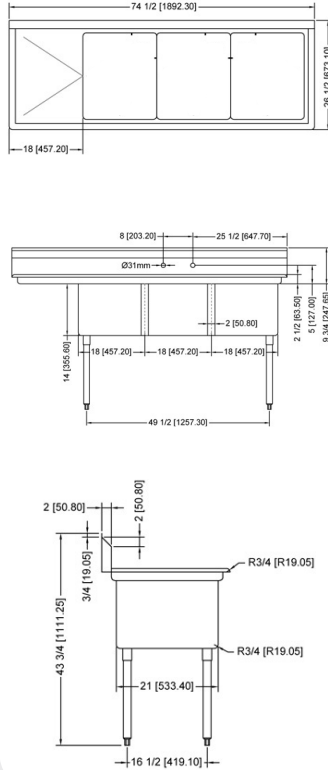
POT SINK - 18" x 21" x 14" THREE TUB SINK



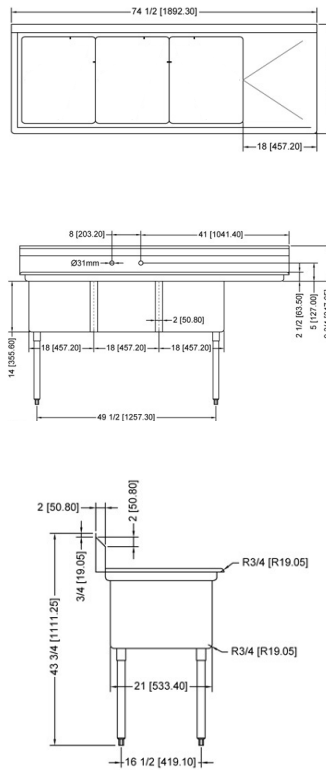
**THREE TUB SINK
WITHOUT DRAIN BOARD**



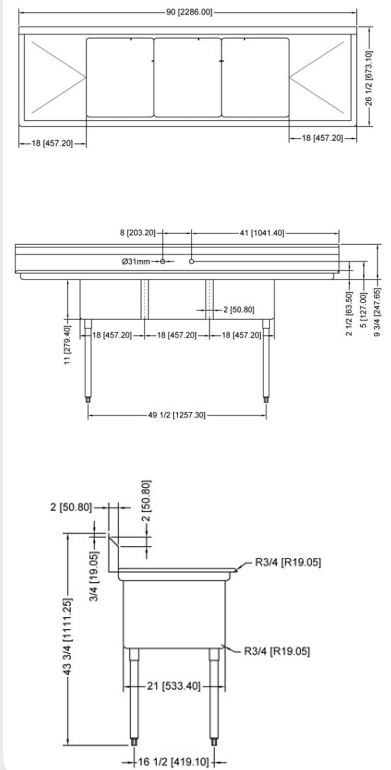
**THREE TUB SINK
WITH LEFT DRAIN BOARD**



**THREE TUB SINK
WITH RIGHT DRAIN BOARD**



**THREE TUB SINK
WITH TWO DRAIN BOARD**



TECHNICAL SPECIFICATION

ITEM NUMBER	DESCRIPTION	DIMENSIONS OF SINK	DRAIN BOARD	OVERALL DIMENSIONS	WEIGHT
25270	Three tub sink with corner drain	18" x 21" x 14"/ 457 x 533 x 355.6 mm	N/A	59" x 26 1/2" x 44"/ 1498.6 x 673 x 1117.6 mm	102 lb/ 46 kg
43776	Three tub sink with center drain				
25271	Three tub sink with corner drain	18" x 21" x 14"/ 457 x 533 x 355.6 mm	Left	74 1/2" x 26 1/2" x 44"/ 1892 x 673 x 1117.6 mm	112 lb/ 51 kg
43775	Three tub sink with center drain				
25272	Three tub sink with corner drain	18" x 21" x 14"/ 457 x 533 x 355.6 mm	Right	74 1/2" x 26 1/2" x 44"/ 1892 x 673 x 1117.6 mm	112 lb/ 51 kg
43777	Three tub sink with center drain				
25273	Three tub sink with corner drain	18" x 21" x 14"/ 457 x 533 x 355.6 mm	2	90" x 26 1/2" x 44"/ 2286 x 673 x 1117.6 mm	119 lb/ 54 kg
43778	Three tub sink with center drain				

OPTIONAL ACCESSORY

31486	Leg brace for 18" x 21" Three tub sink
-------	--

OMCAN INC.

Telephone: 1-800-465-0234
 Fax: (905) 607-0234
 Email: sales@omcan.com
 Website: www.omcan.com



Follow us to keep up to date with the latest news and offers

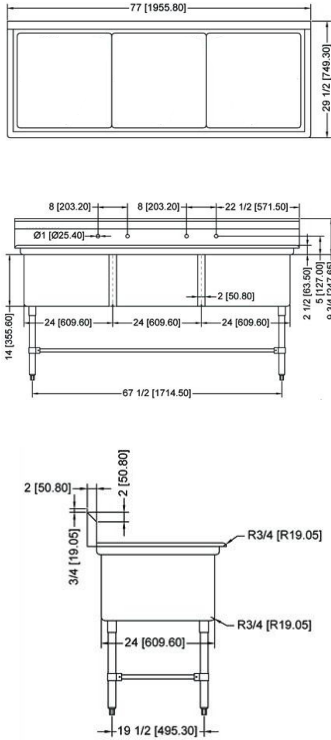


WAREWASHING/HANDLING

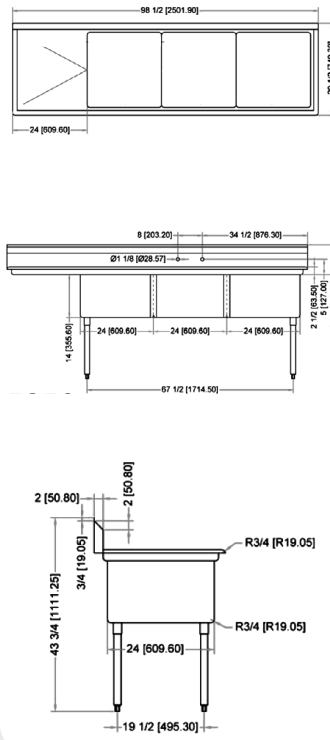
POT SINK - 24" x 24" x 14" THREE TUB SINK



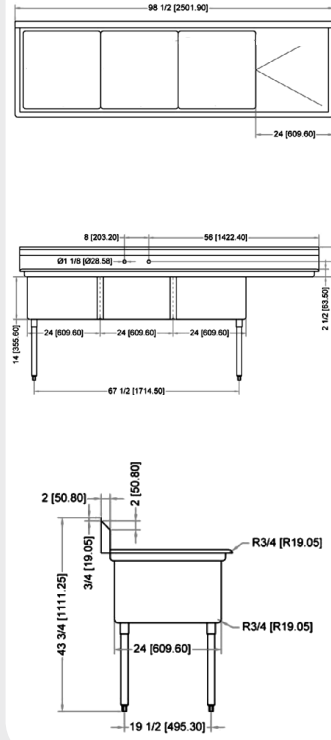
**THREE TUB SINK
WITHOUT DRAIN BOARD**



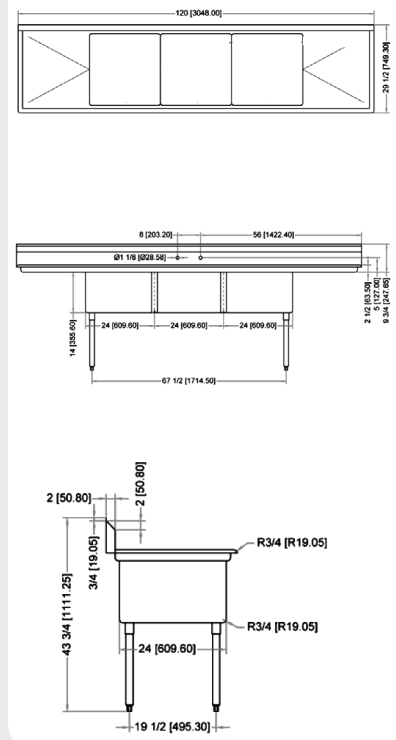
**THREE TUB SINK
WITH LEFT DRAIN BOARD**



**THREE TUB SINK
WITH RIGHT DRAIN BOARD**



**THREE TUB SINK
WITH TWO DRAIN BOARD**



TECHNICAL SPECIFICATION

ITEM NUMBER	DESCRIPTION	DIMENSIONS OF SINK	DRAIN BOARD	OVERALL DIMENSIONS	WEIGHT
22120	Three tub sink with corner drain & 4 faucet holes	24" x 24" x 14" 609.6 x 609.6 x 355.6 mm	N/A	77" x 29 1/2" x 44" 1956 x 749 x 1117.6 mm	110 lb/ 50 kg
43787	Three tub sink with center drain & 4 faucet holes				
25259	Three tub sink with corner drain & 4 faucet holes	24" x 24" x 14" 609.6 x 609.6 x 355.6 mm	Left	98 1/2" x 29 1/2" x 44" 2502 x 749 x 1117.6 mm	136 lb/ 61.7 kg
43786	Three tub sink with center drain & 4 faucet holes				
25260	Three tub sink with corner drain & 4 faucet holes	24" x 24" x 14" 609.6 x 609.6 x 355.6 mm	Right	98 1/2" x 29 1/2" x 44" 2502 x 749 x 1117.6 mm	136 lb/ 61.7 kg
43788	Three tub sink with center drain & 4 faucet holes				
25261	Three tub sink with corner drain & 4 faucet holes	24" x 24" x 14" 609.6 x 609.6 x 355.6 mm	2	120" x 29 1/2" x 44" 3048 x 749 x 1117.6 mm	150 lb/ 68 kg
43789	Three tub sink with center drain & 4 faucet holes				

OPTIONAL ACCESSORIES

21141	Leg brace for 24" x 24" three tub sink
21143	Stainless steel knockdown drain board for 24" x 24" sink



21143 - Detail 1



21143 - Detail 2

OMCAN INC.

Telephone: 1-800-465-0234
 Fax: (905) 607-0234
 Email: sales@omcan.com
 Website: www.omcan.com



Follow us to keep up to date with the latest news and offers



2015.E.O.E