



TABLES AND SINKS

SERVING THE FOOD INDUSTRY SINCE 1951

WORKTABLES WITH CABINET AND SLIDING DOORS



FEATURES

- 16-gauge 430 stainless steel flat top shelf
- 18-gauge 430 stainless steel hat channel and pillaster strip
- 18-gauge 430 stainless steel back, side, bottom and intermediate shelf
- 18-gauge 430 stainless steel sliding doors with recessed handle
- Stainless steel leg with stainless steel bullet feet



WARRANTY



Authorized Dealer

TABLES AND SINKS

24" X 48" WORKTABLE WITH CABINET AND SLIDING DOORS

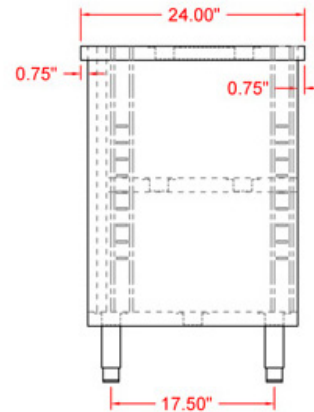
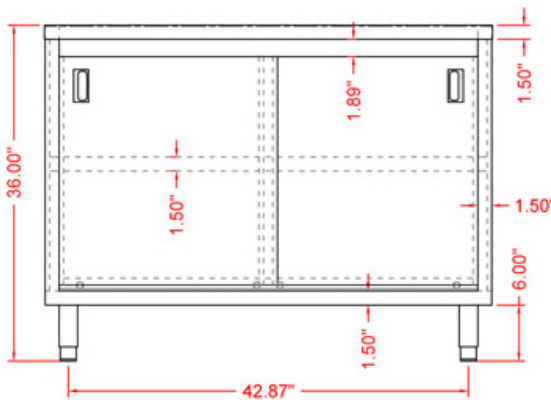


Product may not be exactly as shown.

TECHNICAL SPECIFICATIONS

ITEM	44186
LOAD CAPACITY	350 lbs. / 159 kg.
WEIGHT	140 lbs. / 63.5 kg.
DIMENSIONS (DWH)	24" x 48" x 36" 609.6 x 1219.2 x 914.4 mm
GROSS WEIGHT	147 lbs. / 66.67 kg.
GROSS DIMENSIONS	25" x 31" x 50" 635 x 787.4 x 1270 mm

TECHNICAL DRAWINGS WITH DETAILED DIMENSIONS



OMCAN INC.

Telephone: 1-800-465-0234
 Fax: (905) 607-0234
 Email: sales@omcan.com
 Website: www.omcan.com



Follow us to keep up to date with the latest news and offers



TABLES AND SINKS

24" X 60" WORKTABLE WITH CABINET AND SLIDING DOORS

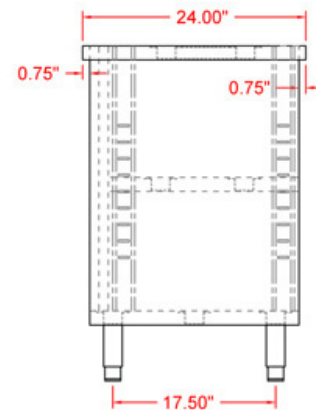
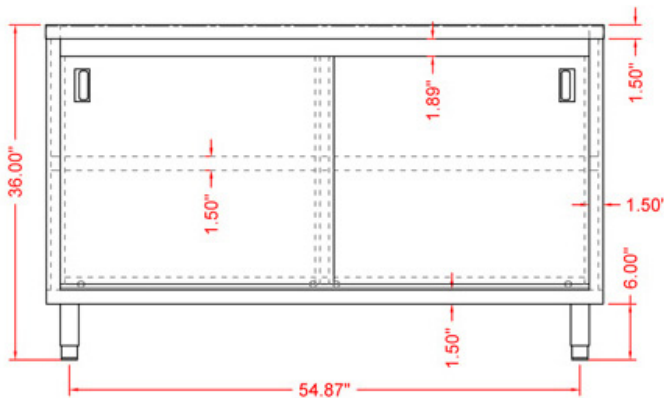


Product may not be exactly as shown.

TECHNICAL SPECIFICATIONS

ITEM	44187
LOAD CAPACITY	380 lbs. / 172 kg.
WEIGHT	168 lbs. / 76 kg.
DIMENSIONS (DWH)	24" x 60" x 36" 609.6 x 1524 x 914.4 mm
GROSS WEIGHT	177 lbs. / 80.3 kg.
GROSS DIMENSIONS	25" x 31" x 62" 635 x 787.4 x 1574.8 mm

TECHNICAL DRAWINGS WITH DETAILED DIMENSIONS



OMCAN INC.

Telephone: 1-800-465-0234
 Fax: (905) 607-0234
 Email: sales@omcan.com
 Website: www.omcan.com



Follow us to keep up to date with the latest news and offers



TABLES AND SINKS

24" X 72" WORKTABLE WITH CABINET AND SLIDING DOORS

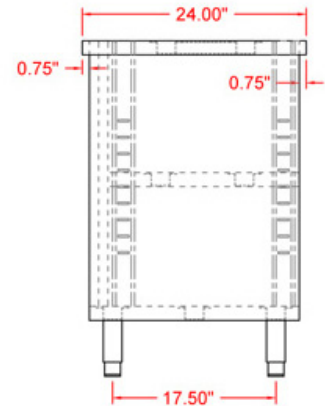
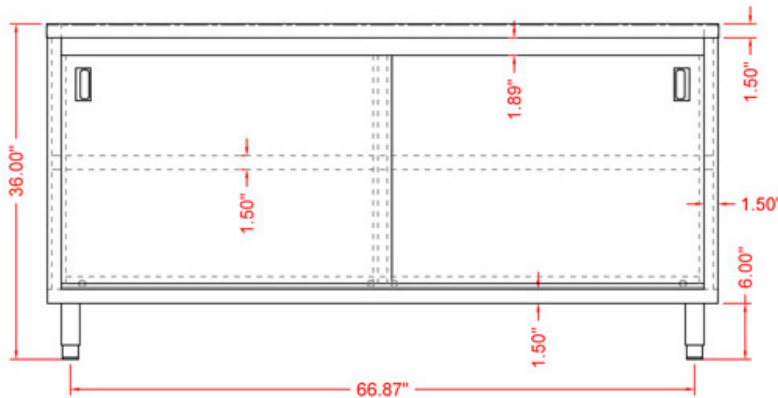


Product may not be exactly as shown.

TECHNICAL SPECIFICATIONS

ITEM	44188
LOAD CAPACITY	480 lbs. / 217.7 kg.
WEIGHT	198 lbs. / 90 kg.
DIMENSIONS (DWH)	24" x 72" x 36" 609.6 x 1828.8 x 914.4 mm
GROSS WEIGHT	207 lbs. / 93.89 kg.
GROSS DIMENSIONS	25" x 31" x 74" 635 x 787.4 x 1879.6 mm

TECHNICAL DRAWINGS WITH DETAILED DIMENSIONS



OMCAN INC.

Telephone: 1-800-465-0234
 Fax: (905) 607-0234
 Email: sales@omcan.com
 Website: www.omcan.com



Follow us to keep up to date with the latest news and offers



TABLES AND SINKS

30" X 48" WORKTABLE WITH CABINET AND SLIDING DOORS

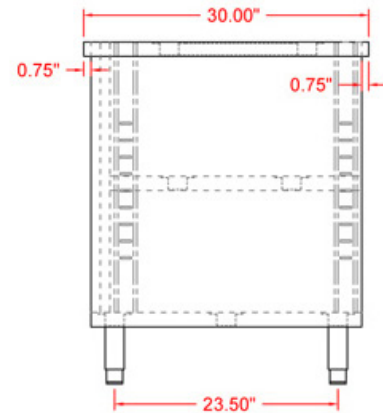
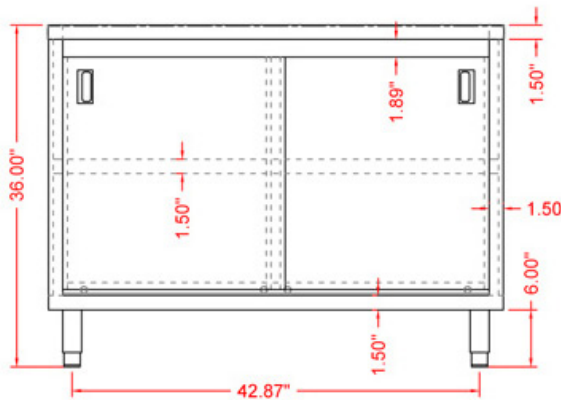
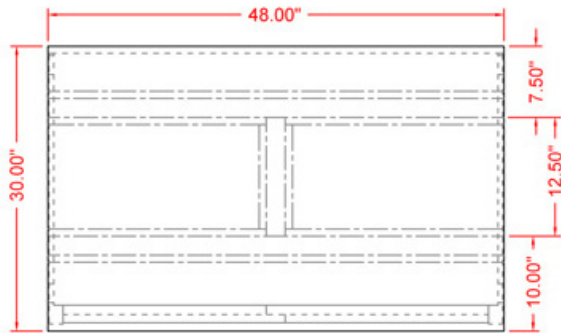


Product may not be exactly as shown.

TECHNICAL SPECIFICATIONS

ITEM	44192
LOAD CAPACITY	350 lbs. / 159 kg.
WEIGHT	159 lbs. / 72 kg.
DIMENSIONS (DWH)	30" x 48" x 36" 762 x 1219.2 x 914.4 mm
GROSS WEIGHT	168 lbs. / 76 kg.
GROSS DIMENSIONS	31" x 31" x 50" 635 x 787.4 x 1968.5 mm

TECHNICAL DRAWINGS WITH DETAILED DIMENSIONS



OMCAN INC.

Telephone: 1-800-465-0234
 Fax: (905) 607-0234
 Email: sales@omcan.com
 Website: www.omcan.com



Follow us to keep up to date with the latest news and offers



2018.E.O.E

TABLES AND SINKS

30" X 60" WORKTABLE WITH CABINET AND SLIDING DOORS

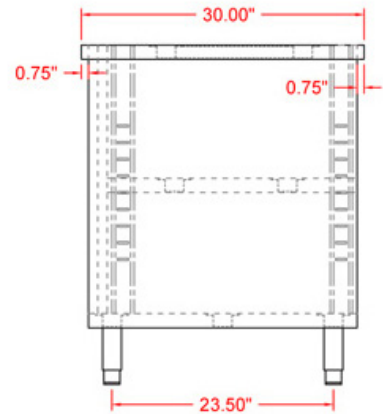
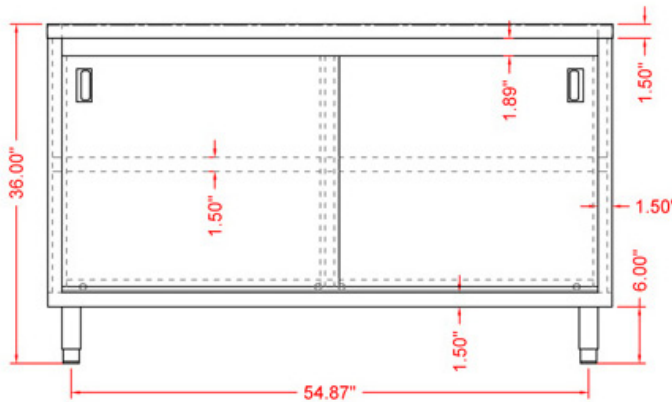
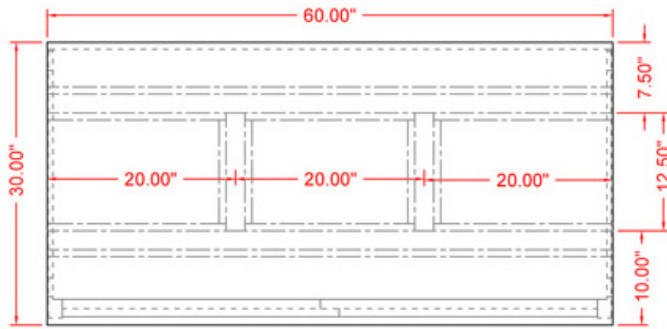


Product may not be exactly as shown.

TECHNICAL SPECIFICATIONS

ITEM	44193
LOAD CAPACITY	380 lbs. / 172 kg.
WEIGHT	190 lbs. / 86 kg.
DIMENSIONS (DWH)	30" x 60" x 36" 762 x 1524 x 914.4 mm
GROSS WEIGHT	199 lbs. / 90 kg.
GROSS DIMENSIONS	31" x 31" x 62" 635 x 787.4 x 1574.8 mm

TECHNICAL DRAWINGS WITH DETAILED DIMENSIONS



OMCAN INC.

Telephone: 1-800-465-0234
 Fax: (905) 607-0234
 Email: sales@omcan.com
 Website: www.omcan.com



Follow us to keep up to date with the latest news and offers



TABLES AND SINKS

30" X 72" WORKTABLE WITH CABINET AND SLIDING DOORS

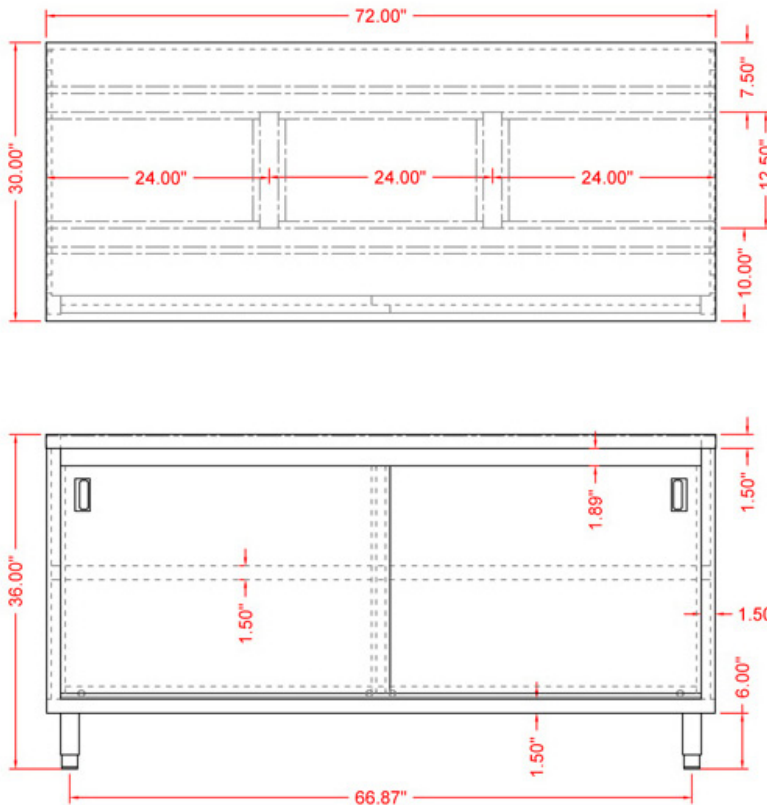


Product may not be exactly as shown.

TECHNICAL SPECIFICATIONS

ITEM	44194
LOAD CAPACITY	480 lbs. / 217.7 kg.
WEIGHT	219 lbs. / 99 kg.
DIMENSIONS (DWH)	30" x 72" x 36" 762 x 1828.8 x 914.4 mm
GROSS WEIGHT	230 lbs. / 104 kg.
GROSS DIMENSIONS	31" x 31" x 74" 635 x 787.4 x 1879.6 mm

TECHNICAL DRAWINGS WITH DETAILED DIMENSIONS



OMCAN INC.

Telephone: 1-800-465-0234
 Fax: (905) 607-0234
 Email: sales@omcan.com
 Website: www.omcan.com



Follow us to keep up to date with the latest news and offers

