



# TABLES AND SINKS

SERVING THE FOOD INDUSTRY SINCE 1951

## 24-INCH ALL STAINLESS STEEL TABLES WITH SINKS



### *Utilize your kitchen space with Omcan's All Stainless Steel Tables with Sinks*

Made from durable 18 Gauge 430 stainless steel material, these tables are ideal for kitchen preparation that can hold heavy equipment. Very easy to clean.



Authorized Dealer

# TABLES AND SINKS

24" x 60" x 34" ALL STAINLESS STEEL TABLE WITH LEFT SINK



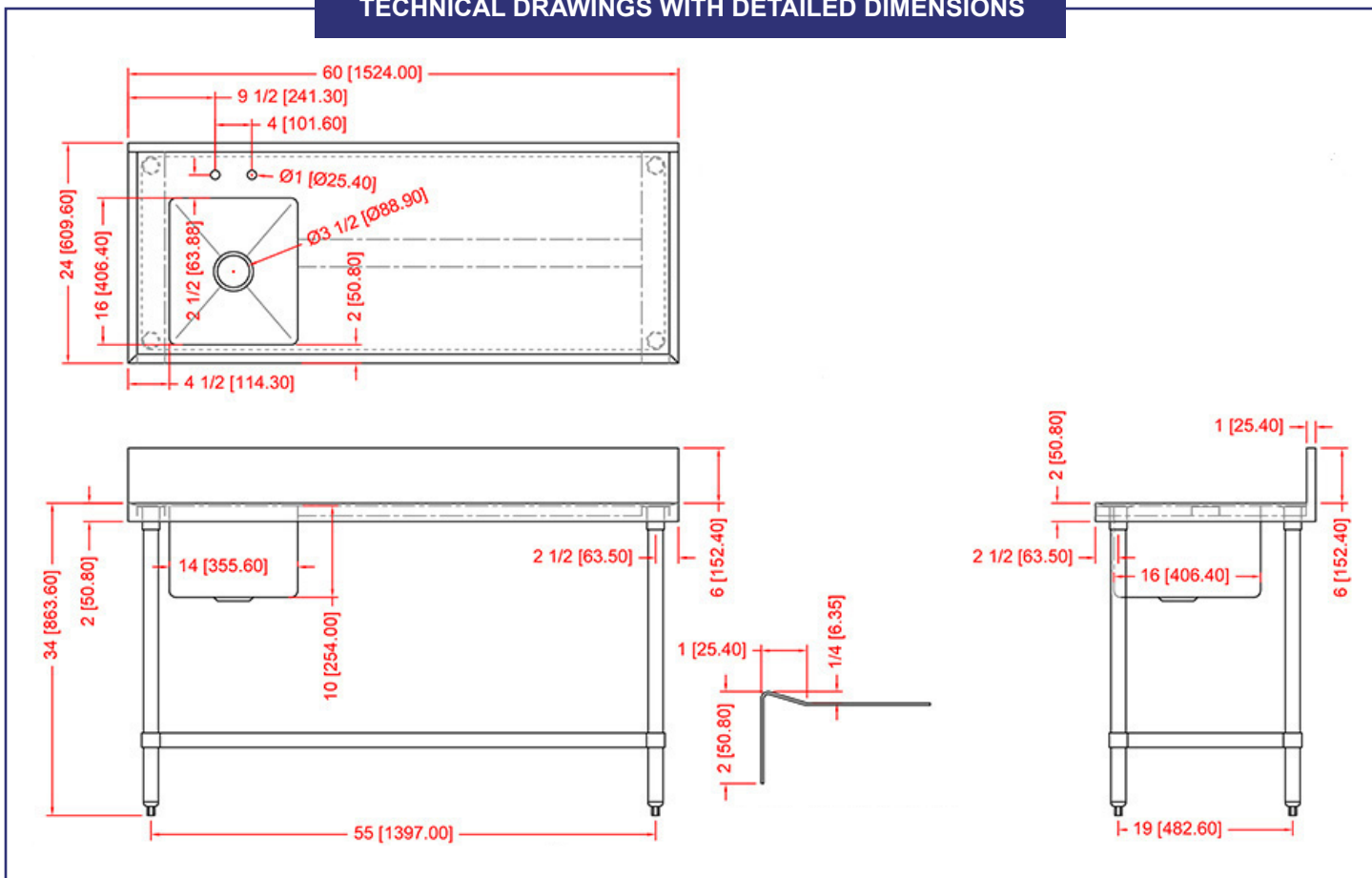
All Stainless Steel Table with Left Sink and 6" backsplash

- 18 Gauge. 430 Stainless steel undershelf and hat channel
- Stainless steel leg and socket; stainless steel bullet foot
- Aluminum corner bracket on undershelf
- 3.5" drain basket included
- Low lead deck-mounted faucet FD-4-10LL included

## TECHNICAL SPECIFICATIONS

ITEM	<b>44259</b>
LOAD CAPACITY	1089 lbs.
UNDERSHELF CAPACITY	462 lbs.
OVER-ALL DIMENSIONS (DWH)	24" x 60" x 34" (40" H with backsplash)
SINK DIMENSIONS	14" x 16" x 10"
NET WEIGHT	62.9 lbs.

## TECHNICAL DRAWINGS WITH DETAILED DIMENSIONS



## OMCAN INC.

Telephone: 1-800-465-0234

Fax: (905) 607-0234

Email: sales@omcan.com

Website: www.omcan.com



Follow us to keep up to date with the latest news and offers



# TABLES AND SINKS

24" x 60" x 34" ALL STAINLESS STEEL TABLE WITH RIGHT SINK



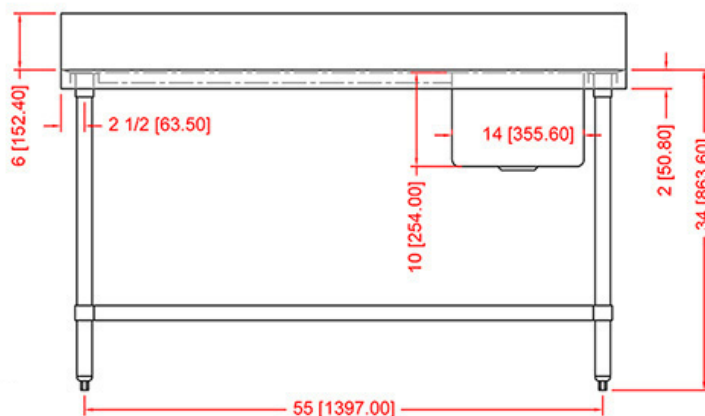
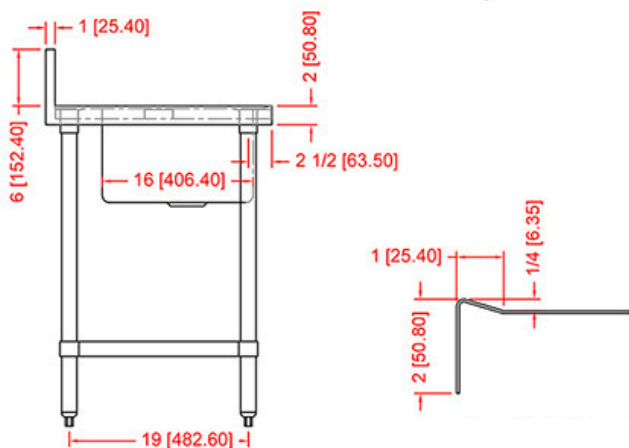
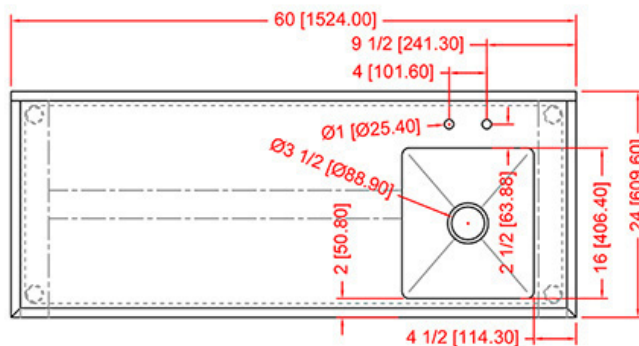
All Stainless Steel Table  
with Right Sink and 6" backsplash

- 18 Gauge. 430 Stainless steel undershelf and hat channel
- Stainless steel leg and socket; stainless steel bullet foot
- Aluminum corner bracket on undershelf
- 3.5" drain basket included
- Low lead deck-mounted faucet FD-4-10LL included

## TECHNICAL SPECIFICATIONS

ITEM	<b>44300</b>
LOAD CAPACITY	1089 lbs.
UNDERSHELF CAPACITY	462 lbs.
OVER-ALL DIMENSIONS (DWH)	24" x 60" x 34" (40" H with backsplash)
SINK DIMENSIONS	14" x 16" x 10"
NET WEIGHT	62.9 lbs.

## TECHNICAL DRAWINGS WITH DETAILED DIMENSIONS



## OMCAN INC.

Telephone: 1-800-465-0234  
 Fax: (905) 607-0234  
 Email: sales@omcan.com  
 Website: www.omcan.com



Follow us to keep up to date with the latest news and offers







# TABLES AND SINKS

24" x 72" x 34" ALL STAINLESS STEEL TABLE WITH RIGHT SINK



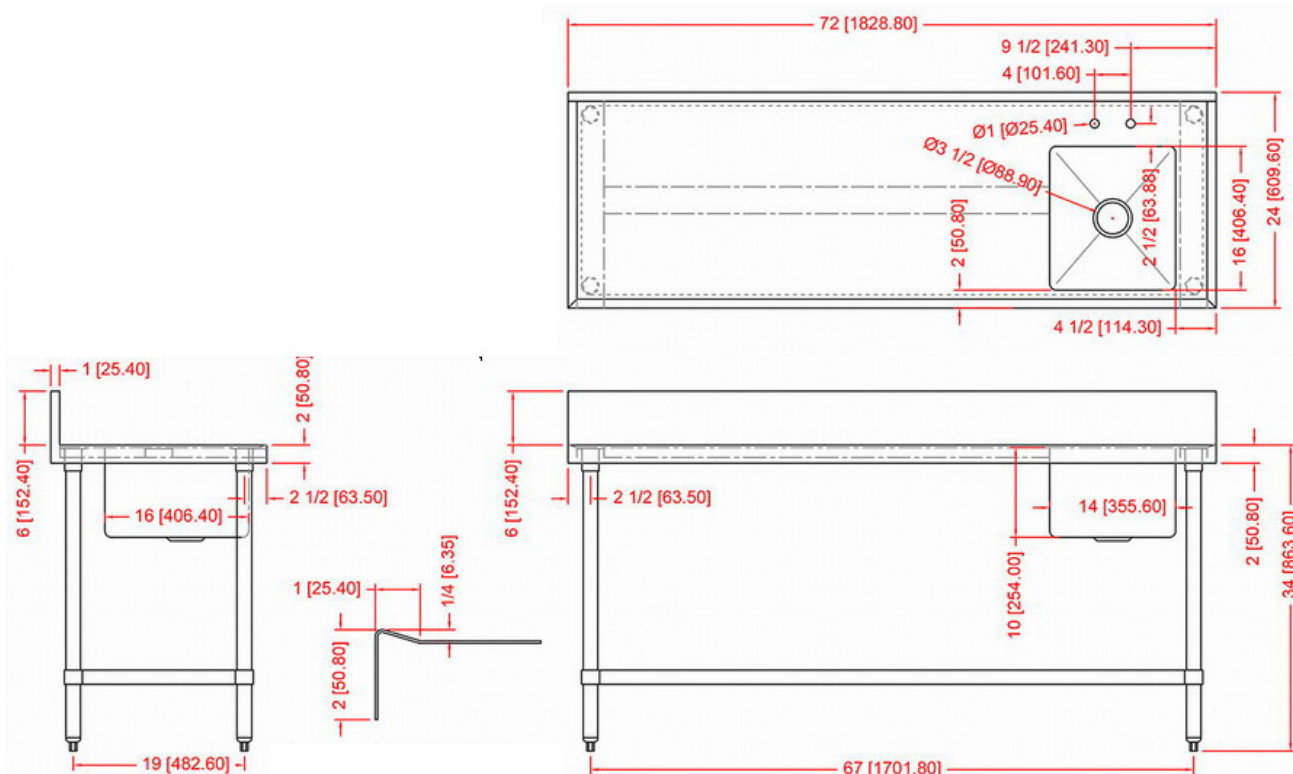
All Stainless Steel Table  
with Right Sink and 6" backsplash

- 18 Gauge. 430 Stainless steel undershelf and hat channel
- Stainless steel leg and socket; stainless steel bullet foot
- Aluminum corner bracket on undershelf
- 3.5" drain basket included
- Low lead deck-mounted faucet FD-4-10LL included

## TECHNICAL SPECIFICATIONS

ITEM	<b>44302</b>
LOAD CAPACITY	1133 lbs.
UNDERSHELF CAPACITY	484 lbs.
OVER-ALL DIMENSIONS (DWH)	24" x 72" x 34" (40" H with backsplash)
SINK DIMENSIONS	14" x 16" x 10"
NET WEIGHT	73 lbs.

## TECHNICAL DRAWINGS WITH DETAILED DIMENSIONS



## OMCAN INC.

Telephone: 1-800-465-0234

Fax: (905) 607-0234

Email: sales@omcan.com

Website: www.omcan.com



Follow us to keep up to date with the latest news and offers

