



SERVING THE FOOD INDUSTRY SINCE 1951

UNDER BAR SINKS

**WASH, RINSE, AND SANITIZE YOUR GLASSWARE
WITH OMCAN'S UNDER BAR SINKS.**

- 18 Gauge. 304 Stainless Steel top, bowl and back
- 20 Gauge. 304 Stainless Steel apron



WARRANTY



SHIPPED ON PALLET

*All under bar sinks
except item 44600*



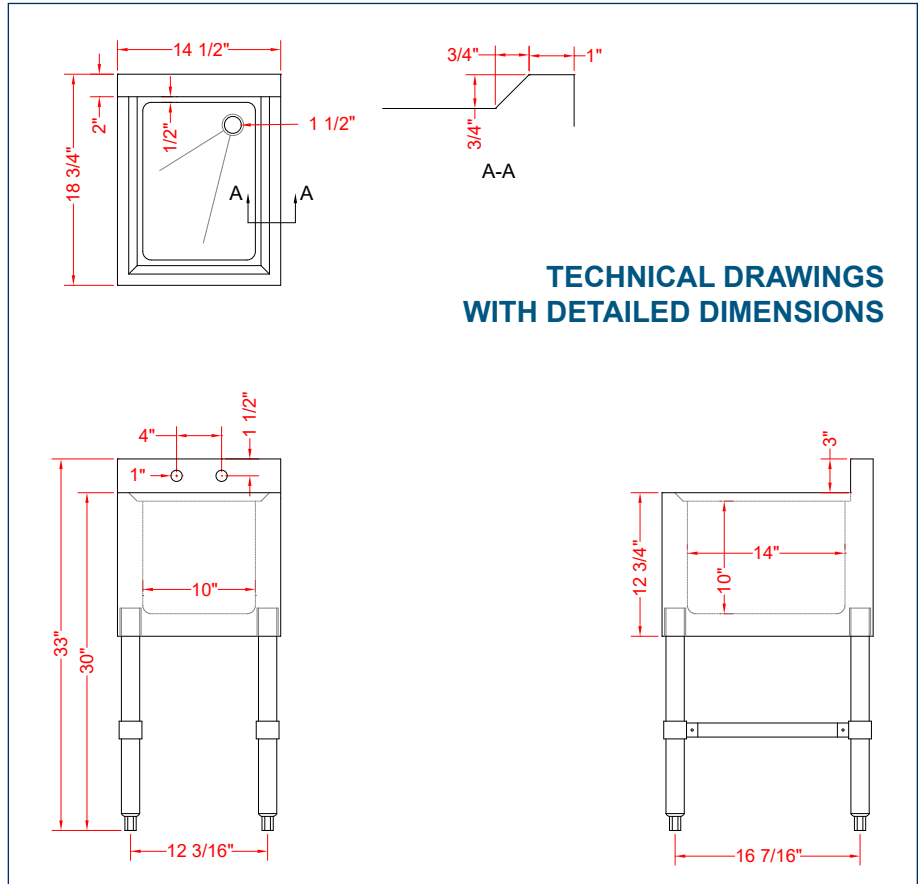
Authorized Dealer

TABLES AND SINKS

UNDER BAR SINK WITH 1 COMPARTMENT
AND NO DRAIN BOARD



- 1 compartment
- No drain board
- Compartment size: 10" x 14" x 10"
- 18GA.304S/S top, bowl and back
- 20GA.304S/S apron



**TECHNICAL DRAWINGS
WITH DETAILED DIMENSIONS**

TECHNICAL SPECIFICATIONS

| | |
|---------------------------|--|
| ITEM | 44600 |
| MATERIAL | Stainless Steel |
| SIZE OF COMPARTMENT | 10" x 14" x 10" / 254 x 355.6 x 254 mm |
| OVER-ALL DIMENSIONS (WDH) | 18.75" x 14.5" x 33" / 476.25 x 368.3 x 838.2 mm |
| GROSS DIMENSIONS | 19" x 16" x 15" / 482.6 x 406.4 x 381 mm |
| NET WEIGHT | 35.2 lbs. / 16 kg. |
| GROSS WEIGHT | 39.6 lbs. / 18 kg. |

OMCAN INC.

Telephone: 1-800-465-0234
 Fax: (905) 607-0234
 Email: sales@omcan.com
 Website: www.omcan.com



Follow us to keep up to date with the latest news and offers



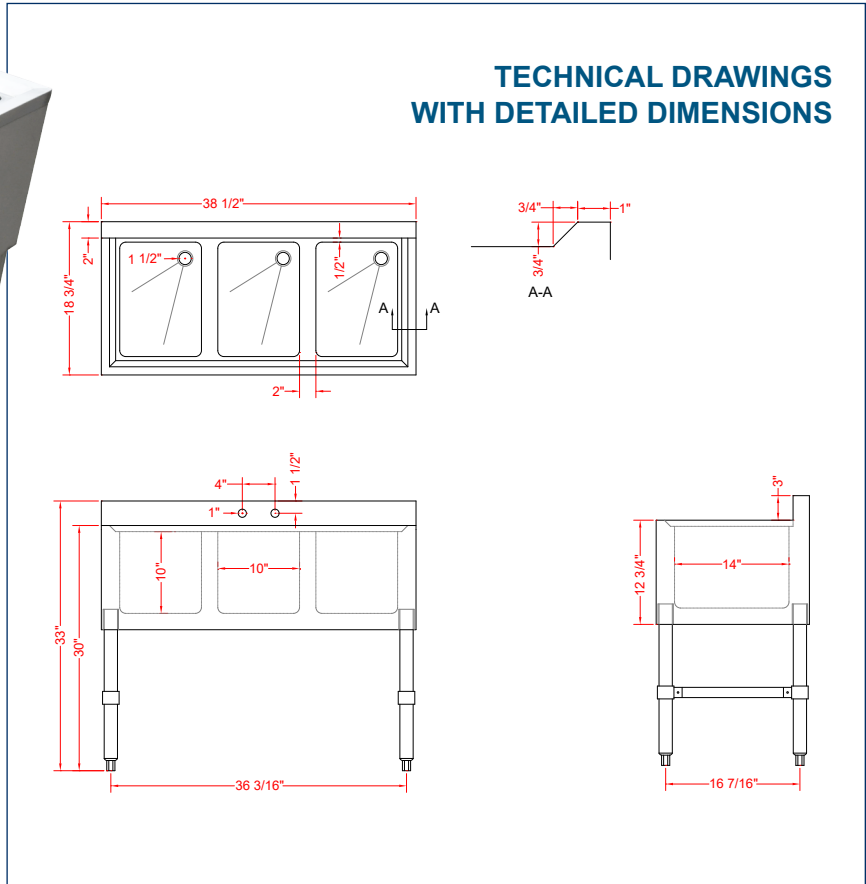
TABLES AND SINKS

UNDER BAR SINK WITH 3 COMPARTMENTS
AND NO DRAIN BOARD



- 3 compartments
- No drain board
- Compartment size: 10" x 14" x 10"
- 18GA.304S/S top, bowl and back
- 20GA.304S/S apron

TECHNICAL DRAWINGS WITH DETAILED DIMENSIONS



TECHNICAL SPECIFICATIONS

| | |
|---------------------------|--|
| ITEM | 44601 |
| MATERIAL | Stainless Steel |
| SIZE OF COMPARTMENT | 10" x 14" x 10" / 254 x 355.6 x 254 mm |
| OVER-ALL DIMENSIONS (WDH) | 38.5" x 18.75" x 33" / 977.9 x 476.25 x 838.2 mm |
| GROSS DIMENSIONS | 19" x 16" x 39" / 482.6 x 406.4 x 990.6 mm |
| NET WEIGHT | 57.2 lbs. / 26 kg. |
| GROSS WEIGHT | 64.9 lbs. / 29.4 kg. |

OMCAN INC.

Telephone: 1-800-465-0234
 Fax: (905) 607-0234
 Email: sales@omcan.com
 Website: www.omcan.com



Follow us to keep up to date with the latest news and offers



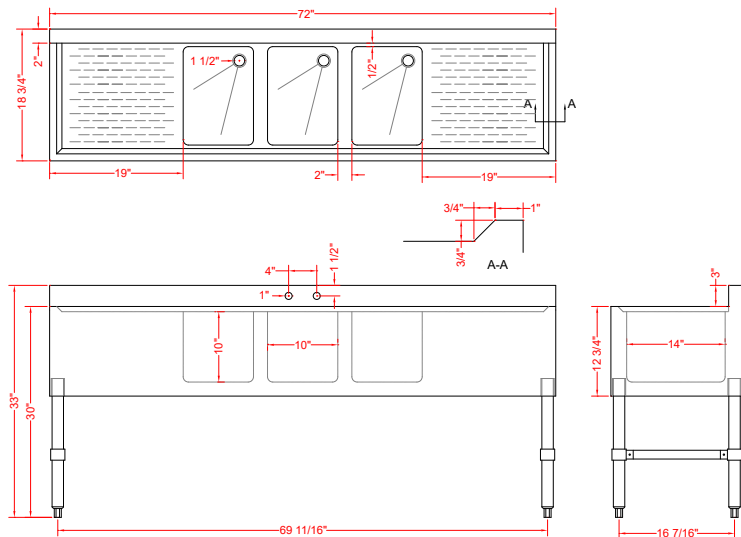
TABLES AND SINKS

UNDER BAR SINK WITH 3 COMPARTMENTS
AND TWO DRAIN BOARDS



- 3 compartments
- Two drain boards
- Compartment size: 10" x 14" x 10"
- 18GA.304S/S top, bowl and back
- 20GA.304S/S apron

TECHNICAL DRAWINGS WITH DETAILED DIMENSIONS



TECHNICAL SPECIFICATIONS

| | |
|---------------------------|---|
| ITEM | 44627 |
| MATERIAL | Stainless Steel |
| SIZE OF COMPARTMENT | 10" x 14" x 10" / 254 x 355.6 x 254 mm |
| OVER-ALL DIMENSIONS (WDH) | 72" x 18.75" x 33" / 1828.8 x 476.25 x 838.2 mm |
| GROSS DIMENSIONS | 19" x 16" x 73" / 482.6 x 406.4 x 1854.2 mm |
| NET WEIGHT | 83.6 lbs. / 38 kg. |
| GROSS WEIGHT | 97.9 lbs. / 44.4 kg. |

OMCAN INC.

Telephone: 1-800-465-0234
 Fax: (905) 607-0234
 Email: sales@omcan.com
 Website: www.omcan.com



Follow us to keep up to date with the latest news and offers



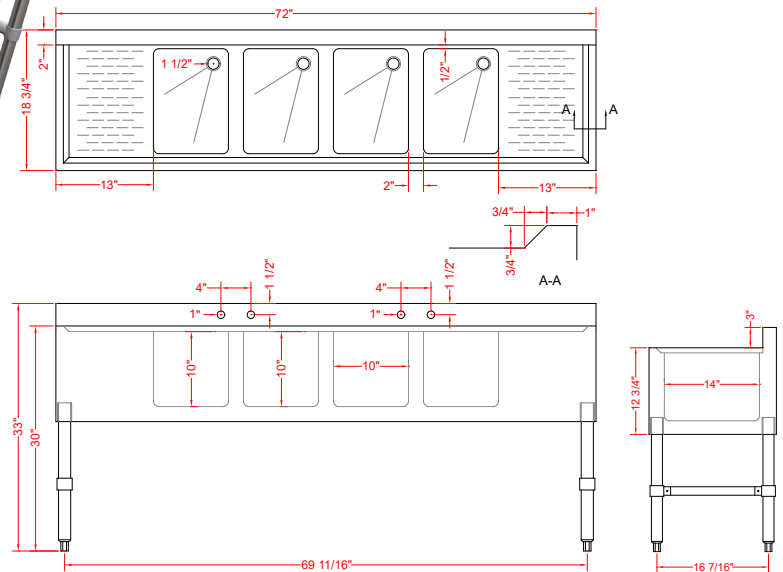
TABLES AND SINKS

UNDER BAR SINK WITH 4 COMPARTMENTS
AND TWO DRAIN BOARDS



- 4 compartments
- Two drain boards
- Compartment size: 10" x 14" x 10"
- 18GA.304S/S top, bowl and back
- 20GA.304S/S apron

TECHNICAL DRAWINGS WITH DETAILED DIMENSIONS



TECHNICAL SPECIFICATIONS

| | |
|---------------------------|---|
| ITEM | 44603 |
| MATERIAL | Stainless Steel |
| SIZE OF COMPARTMENT | 10" x 14" x 10" / 254 x 355.6 x 254 mm |
| OVER-ALL DIMENSIONS (WDH) | 72" x 18.75" x 33" / 1828.8 x 476.25 x 838.2 mm |
| GROSS DIMENSIONS | 19" x 16" x 73" / 482.6 x 406.4 x 1854.2 mm |
| NET WEIGHT | 85.8 lbs. / 38.9 kg. |
| GROSS WEIGHT | 100.1 lbs. / 45.4 kg. |

OMCAN INC.

Telephone: 1-800-465-0234
 Fax: (905) 607-0234
 Email: sales@omcan.com
 Website: www.omcan.com



Follow us to keep up to date with the latest news and offers

