



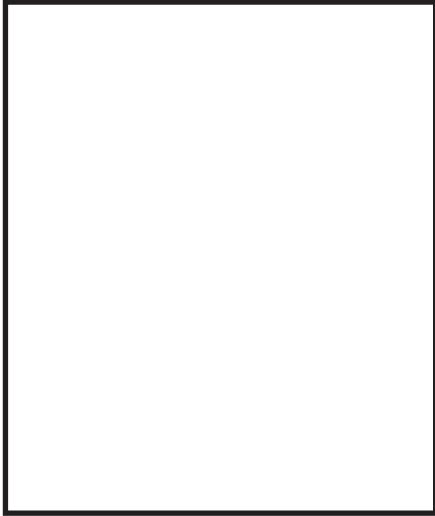
WE RAISE THE BAR. WE SET THE STANDARD.

Project _____

Item Number _____

Quantity _____

8713S



8713S Gear Driven Premium Slicer

Model:

➤ 8713S: 1/2hp Semi-Automatic Slicer



CERTIFIED BY NSF INTERNATIONAL TO MEET
AND EXCEED THE NSF/ANSI 2012 STANDARDS

13" Precision slicing German hollow ground blade
Unique smooth curve transitions to redirect
liquids away from controls and operator
Easily detachable carriage for easy cleaning

Features:

- Medium to heavy duty, high volume slicer
- Maximum duty 8 hours a day
- Capable of slicing unlimited amounts of cheese
- Unique drip tray fence redirects liquids away from controls and operator towards distinctive concave base casting for easy cleaning
- Ergonomic comfort design operation
- Powerful 1/2 hp motor standard
- Adjustable slice thickness from 0 to 7/8"
- Easily removable sharpener for cleaning
- Quick and simple disassembly of carriage and feed grip for easy and thorough cleaning
- Sanitary polished and anodized aluminum construction
- Permanently mounted protective edge guard for operator safety
- Heavy duty 3-1/2 lb gravity fed grip
- 3 inch legs makes cleaning under the slicer simpler for the user

Optional Accessories:

- Stainless steel slade
- Serrated steel blade
- Heavy duty clear plastic cover
- Stainless steel vegetable chute
- Sturdy stainless steel stand
- Security reinforced prison package

Warranty:

- One year, on-site parts and labor

Premium Series Slicer

Univex Corporation



Univex Corporation
www.Univexcorp.com

3 Old Rockingham Rd
Salem, NH 03079
United States of America

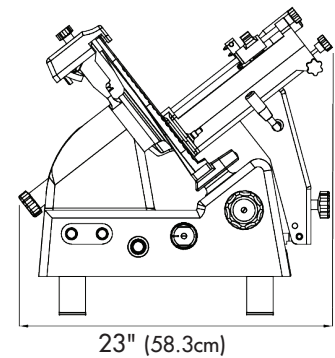
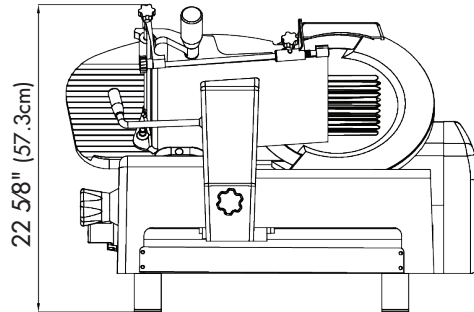
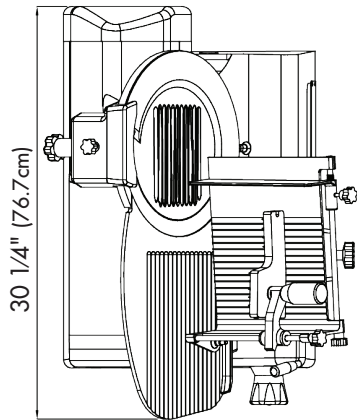
TEL: (800)258-6358
INTL TEL: (603)893-6191
FAX: (800)356-5614
INTL FAX: (603)893-1249



WE RAISE THE BAR. WE SET THE STANDARD.

Premium Series Slicer

8713S



Controls: Manual slice thickness knob, push button on/off, attached blade sharpener smooth auto/manual control knob, adjustable carriage speed control

Drive Assembly: Gear driven

Blade diameter: 13" (33cm) razor sharp blade

Blade RPM: 300 RPM

Maximum slice thickness: .875" (2.2cm)

Maximum product size: Rectangular: 10" x 6.5" (25.4cm x 16.5cm)

Square: 6.5" x 6.5" (16.5cm x 16.5cm)

Round: 9" (22.9cm)

Construction: Anodized, cast aluminum body for durability and stunning looks

Nema #: 5-15-P

| Electrical Information (60Hz) | | | | | |
|-------------------------------|---------|-------|------|------|-----------|
| | Voltage | Phase | Amps | RPM | hp(kW) |
| Standard Voltage | 115 | 1 | 5.4 | 1680 | 1/2 (.37) |
| Optional Voltage | 208-240 | 1 | 2.7 | 1680 | 1/2 (.37) |

| Carriage Strokes | |
|------------------|--------------------|
| | Strokes per minute |
| 12" (30.5cm) | 21 (minimum) |
| | 47 (maximum) |

| Shipping Information | | |
|----------------------|------------------|--|
| Net Weight | Shipping Weight | Overall Shipping Dimensions |
| 180lbs. (81.6Kg) | 189lbs. (85.7Kg) | 25" (63.5cm) H x 22" (55.9cm) W x 33" (83.8cm) D |



Univex Corporation
www.Univexcorp.com

3 Old Rockingham Rd
Salem, NH 03079
United States of America

TEL: (800)258-6358
INTL TEL: (603)893-6191
FAX: (800)356-5614
INTL FAX: (603)893-1249