



Specification

SelfCookingCenter® 201 G (20 x 12 x 20 inch/20 x 13 x 18 inch)



- High-performance fresh steam generator, pressureless, with automatic filling and automatic decalcification
- Dynamic air circulation in cooking cabinet with reversing wheel fan with 5 fan speeds, programmable
- Integral, maintenance-free grease extraction system
- Single water connection as shipped, can be split connection for treated and untreated water
- Turbo fan cool down function
- Automatic adaptation to the installation location (elevation)
- Height adjustable feet +- 3/8" (10 mm)
- 304 (DIN 1.4301) stainless steel material inside and out
- Seamless interior and with rounded corners
- Demand-related energy supply
- 5 programmable proofing stages
- Automatic, pre-selected starting time with adjustable date/time
- Delta-T cooking

Operation

- Digital, graphically supported overview of the current cooking chamber climate, review and forecast as well as repeat and change options at the end of the cooking process
- Remote control function for appliance using software and mobile app
- Control second unit from the main unit (units must be connected via ethernet or network)
- Real-time information about automatic adjustments on current cooking process
- Self-learning operation, automatically adapts to actual usage
- Intelligent energy-management system controls the energy and airflow, fully automated
- Record mode – determination of the ideal cooking process for calibrated products using the core temperature probe for subsequent use without a core temperature probe, with automatic consideration of the load quantity
- Self-configurable, user-specific operating display 8.5" TFT color monitor and touch screen with self-explanatory symbols for ease of operation
- Application and user manuals can be viewed on the unit display for the current actions

Safety features

- Detergent and Care Tabs (solid detergents) for optimum working safety
- HACCP data output and software update via the integrated Ethernet and USB port
- Safety temperature limiter for steam generator and hot-air heating
- VDE approved for unsupervised operation (e.g. overnight cooking or cleaning)
- Integral fan impeller brake
- Door handle with right/left and slam function

Cleaning and Care

- Self-cleaning and care system for cooking cabinet and steam generator, regardless of the water pressure supplied
- 7 cleaning stages for unsupervised cleaning and care - even overnight
- Automatic cleaning and descaling of the steam generator
- Automatic cleaning prompts indicating the cleaning stage and volume of chemicals in relation to the level of soiling
- Soiling and care status are displayed on the monitor
- Diagnostic system with automatic service notices displayed
- Self-test function for actively checking unit's functions
- 100% biodegradable Cleaner and Care tabs

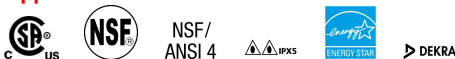
Capacity

- Twenty (20) Half-size sheet pans (13"x18") or Twenty (20) Steam table pans (12"x20"x2.5") GN1/1
- Mobile oven rack (rail spacing 2 1/2" / 63 mm) with tandem castors, wheel diameter 5" / 125 mm

Standard Features

- Gas heated device for automatic cooking of meat, poultry, fish, side dishes, vegetables, egg dishes, desserts, bakery products and for automatic rethermalization
- Mixed loads with individual supervision of each rack, depending on type, load amount, and the number of door openings
- LED cooking cabinet and rack lighting - energy-saving, durable and low-maintenance
- Rear-ventilated triple-pane cooking cabinet door, two hinged inside panes (for easy cleaning) with a special heat-reflecting coating
- Combi-steamer according to DIN 18866, DIN 10535 for selective use of steam and hot air, separately, sequentially, or combined
- Integrated Ethernet and USB port
- No water softening system or additional descaling is necessary
- 2-Year parts and labor warranty
- 5-Year steam generator warranty
- No-charge 4-hour RATIONAL certified chef assistance program
- Core temperature probe with 6 measuring points, including positioning aid - automatic error correction in case of incorrect positioning
- 1% - accurate regulation of moisture, adjustable, and retrievable via the control panel
- Combi-steamer mode °F/(°C): steam: 85 to 265/(30 to 130), hot air: 85 to 575/(30 to 300), combination: 85 to 575/(30 to 300)
- Individual programming of at least 1,200 cooking programs with up to 12 steps transferable via USB
- Hand shower with automatic retracting system
- Moisturising in 3 steps of °F/(°C) 85 to 500/(30 to 260)

Approval/Labels





Specification

SelfCookingCenter® 201 G (20 x 12 x 20 inch/20 x 13 x 18 inch)

iCookingControl - Automatic cooking



7 application modes for meat, poultry, fish, side dishes, egg dishes, desserts, baked goods and Finishing® (rethermalization)

Combi-Steam mode



Steam °F/(°C) 85 to 265/(30 to 130)



Hot air °F/(°C) 85 to 575/(30 to 300)



Combi °F/(°C) 85 to 575/(30 to 300)

HiDensityControl®



Highest steam saturation, and dynamic air mixing for perfect and even cooking

Efficient CareControl



Efficient self-cleaning CareControl recognizes soiling and scale and removes it

iLevelControl



Mixed loads with individual monitoring of every rack depending on the quantity of the load as well as the number of door openings.

Technical Specification

Dimensions	Width	Depth	Height
Exterior	34 1/2" (879 mm)	33 1/8" (842 mm)	70 1/8" (1,782 mm)
Incl. Vent/Handle	-	35 3/4" (909 mm)	72 3/8" (1,837 mm)
Shipping	38 5/8" (980 mm)	36 1/4" (920 mm)	78" (1,980 mm)

Weight	
Max Per Shelf	33 lbs
Max Load Size	198 lbs
Net	654.5 lbs
Shipping	704 lbs

Size	Electric. 60 hz	Breaker	Cable connection	Running Amps
201	120V	15 A	5-15P	7.92 amps
201	208V	15 A	6-15P	4.57 amps
201	240V	15 A	6-15P	3.96 amps

All gas units are supplied with 8 ft. 14-3 AWG cord and plug. Dedicated 2 pole circuit breaker required. The 208/240v gas units are 1 Ph L1, L2, G (208v is field retrofittable to 240v) and come with 6-15P. The 120v gas units are 1Ph L1,N,G, and come with 5-15P. Due to GFCI having a 4-6mA tolerance, 208/240v is recommended. Do not use fuses. Special voltages available upon request.

Thermal load and airflow requirements

Latent	1902 W
Sensible	2375 W
Unit free standing	44744 ft ² /h
One side against a wall	28181 ft ² /h
Noise values	70 dBA

Rated thermal load

	Natural gas	Liquid gas LPG
Total:	167,000 BTU	163,000 BTU
Steam:	144,000 BTU	141,000 BTU
Hot air:	167,000 BTU	163,000 BTU
Required gas pressure:	6.5" – 10" w.c.	10" – 13" w.c.

Connected load electric: 0.95 kW
Gas supply/connection: 3/4" NPT

Water Requirements

Connection	3/4" GHT
Supply	Minimum 1/2" ID Drinking Quality Cold
Pressure	21-87 psi (1.5-6 bar)
Average Treated Water Consumption	3.5 gal/h
Min/Max Flow Rate	3 gpm/6.6 gpm
Water Drain	2" OD (50 mm) hub

Connect only to 2" (XS type 6 2/3 = 1 5/8") high-temperature resistant pipe. Water discharge temperature can be field adjusted to meet section 701.7 of the Inter-national Plumbing Code. Contact RATIONAL for back flow recommendation.

Water Quality

Sodium ion exchangers are not recommended; H+ Ion exchange systems are recommended. Water that does not meet the following minimum standards will require the proper conditioning.

Contaminant	Water Requirements	If > than recommended
Sand/Particles	< 15 µm	Particle filter
Chlorine (Cl ₂)	< 0.12 gr/gal (0.2 ppm)	Active carbon filter
Chloride (Cl ⁻)	< 4.68 gr/gal (80 ppm)	RO or deionization

Clearance Requirements

To facilitate servicing, we recommend leaving a 18"-20" (450-500 mm) gap on the left-hand side of the unit. If there is not 18"-20" (450-500 mm) left side clearance available, provisions for moving the unit or appliance to the left for service access must be made. These include, but are not limited to, having quick connections (water, gas, etc.) and lengthened electrical connections with flexible cords. If there are no external heat sources acting on the unit, there should be a minimum gap of 2" (50 mm) to the left, right, and back of unit. If a high temperature heat source is on the left side of the unit, the left-hand gap must be a minimum of 14" (350 mm). This gap may be reduced to 2" (50 mm) by using a heat shield (see options). Recommended clearance from unobstructed rear exhaust pipes and any surface collecting grease or flammable material; 16" (400 mm) gas, 10" (254 mm) electric. It is recommended to have a hood overhang of 6" (150 mm) to 18" (450 mm) at the front of the unit and 6" (150 mm) on the side if installed at the end of the cooking line. Please refer to the Installation Manual for further technical data and for instructions on installation and setup. Installations must comply with all local electrical, plumbing, and ventilation codes.

RATIONAL USA Inc.

1701 Golf Road, Suite C-120, Commerceium
Rolling Meadows, IL 60008
Toll Free: 888-320-7274, Fax.: 847-755-9583

Visit us on the internet: www.rationalusa.com

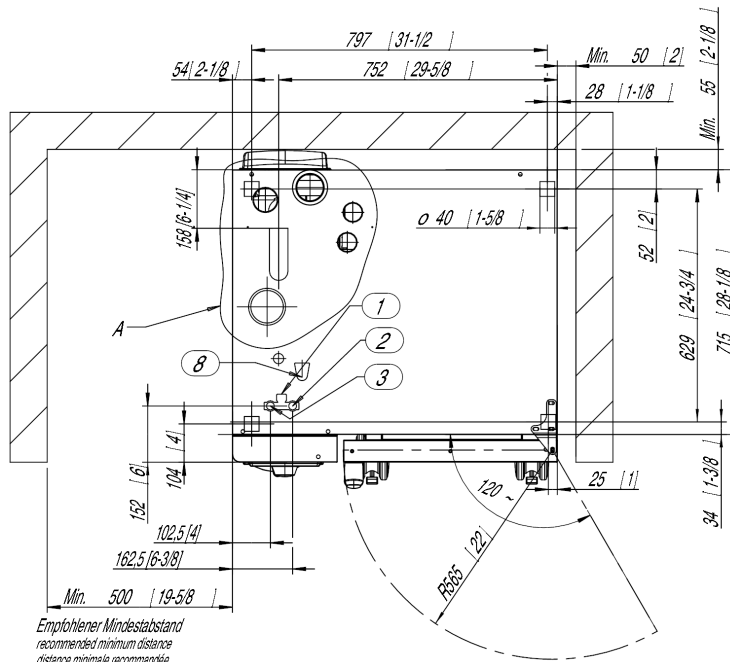
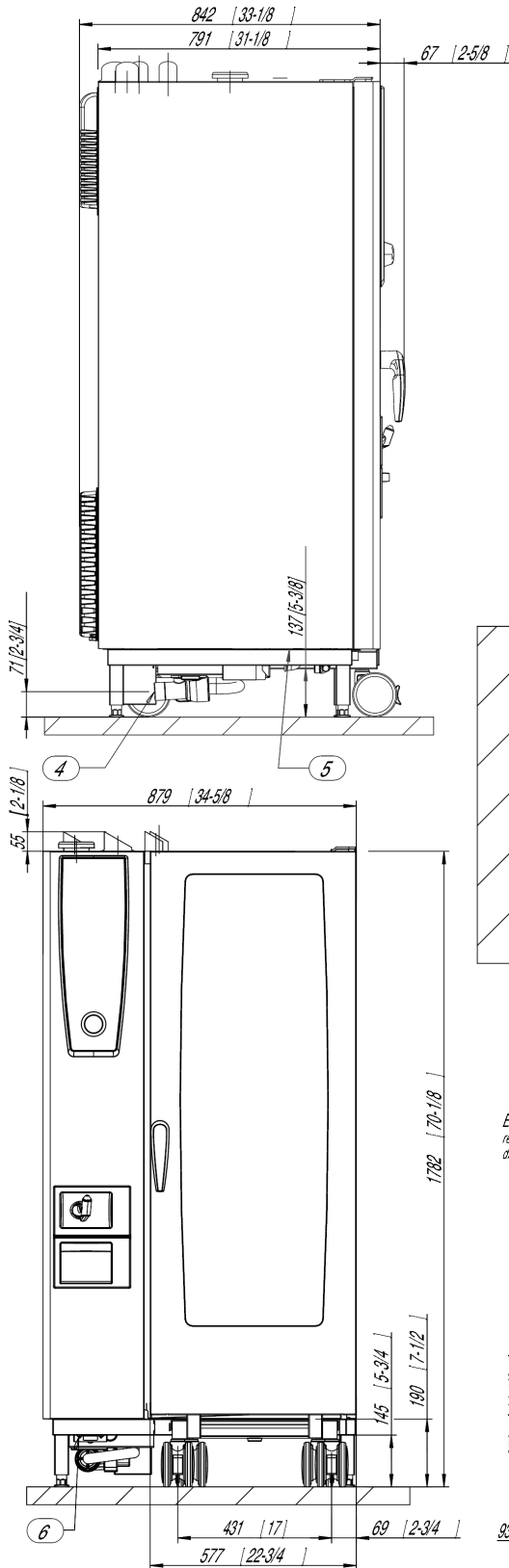
We reserve the right to make technical improvements



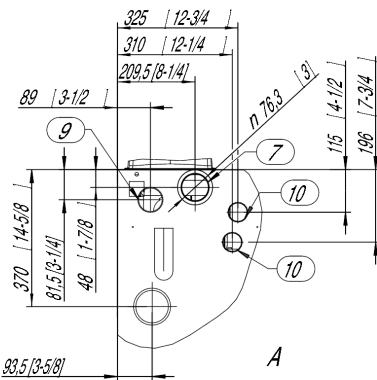
Specification

Thu Oct 13 18:56:26 CEST 2016

SelfCookingCenter® 201 G (20 x 12 x 20 inch/20 x 13 x 18 inch)



Empfohlener Mindestabstand
recommended minimum distance
distance minimale recommandée



1. Common water supply (cold water) "Single" water connection as shipped
 2. Water supply cold water / condensate "Split" water connection
 3. Water supply cold / Treated "Split" water connection
 4. Water drain
 5. Electrical connection wire entrance
 6. Chassis Ground connection
 7. Steam Vent pipe DN 3" / 78 mm
 8. Gas connection 3/4 NPT
 9. Steam burner exhaust pipe minimum distance 2" / 50 mm
 10. Hot-air burner exhaust pipe minimum distance 20" recommended for servicing of unit without the ability to move unit while connected.
- Measurements in mm (inch)



Specification

Thu Oct 13 18:56:26 CEST 2016

SelfCookingCenter® 201 G (20 x 12 x 20 inch/20 x 13 x 18 inch)

GAS OPTIONS

- Natural Gas
- Liquid Gas (LP)

ELECTRICAL CONNECTION ON GAS UNITS (all 60Hz) Special voltages available upon request

Voltage / breaker / running amps /

- 120V 1 Ph / 15 / 7.92 / comes with 5-15P cord and plug
- 208V 1 Ph / 15 / 2.40 / comes with 6-15P cord and plug -field retrofittable to 240 V 1 Ph / 15 / 2.08

ACCESSORIES

- Installation Kits – include quick disconnect gas, water and drainage connection
 - Gas 120/60/1 Ph | 208-240/60/1 Ph 8720.1561US
- RATIONAL Cleaner Tabs without phosphorous – guarantee maximum cleaning power 56.00.210A
- RATIONAL Care Tabs – prevents scale deposits 56.00.562
- Certified installation by RATIONAL SERVICE-PARTNERS See document
- Preventative Maintenance Kits – door gaskets, air filters, interior light gasket, and light bulbs 87.00.524US
- Mobile oven racks - easier operation of full loads See accessories brochure
- Finishing® plate system – a new dimension to food preparation See accessories brochure
- Heat shield – for installation next to heat source (e.g. range, grill) 60.70.394
- Condensation breaker – to divert steam from the unit into existing hood system 60.72.593
- Ramp - evens out inclines (up to 3%) allowing mobile oven rack to be rolled in smoothly 60.21.080
- Unit height extension – increases the ground clearance by 2 ¾". Must be used with extension (below) 60.70.407
- Mobile oven rack height extension – must be used in conjunction with a unit height extension (above) 60.21.184
- KitchenManagement System – RATIONAL software to operate units from your laptop / desktop 60.72.660
- RATIONAL USB data-memory stick – for transferring cooking programs and HACCP data 42.00.162
- VarioSmoker – for a large variety of smoked products 60.73.010
- For ideal grilling, baking, roasting, frying, rotisserie, steaming, Finishing®, and much more See accessories brochure

FACTORY INSTALLED OPTIONS (special order)

- Ethernet cable – for easy connection of LAN cable
- Door safety lock – cooking cabinet door is opened by actuating a foot pedal
- Sous-Vide core temperature probe, includes core temperature probe (both attach externally)
- Externally attached standard core temperature probe
- 3 Core temperature probes for iLevelControl includes core temperature probe (both attach externally)
- Lockable control panel cover
- Control panel protection
- Unit with special hinging racks for bakeries and supermarkets
- Integrated fat drain – any grease runoff is caught in the cabinet and diverted to special grease drip containers
- Security and prison version
- Mobile with castors – special frame with 4 stainless castors and parking brake