

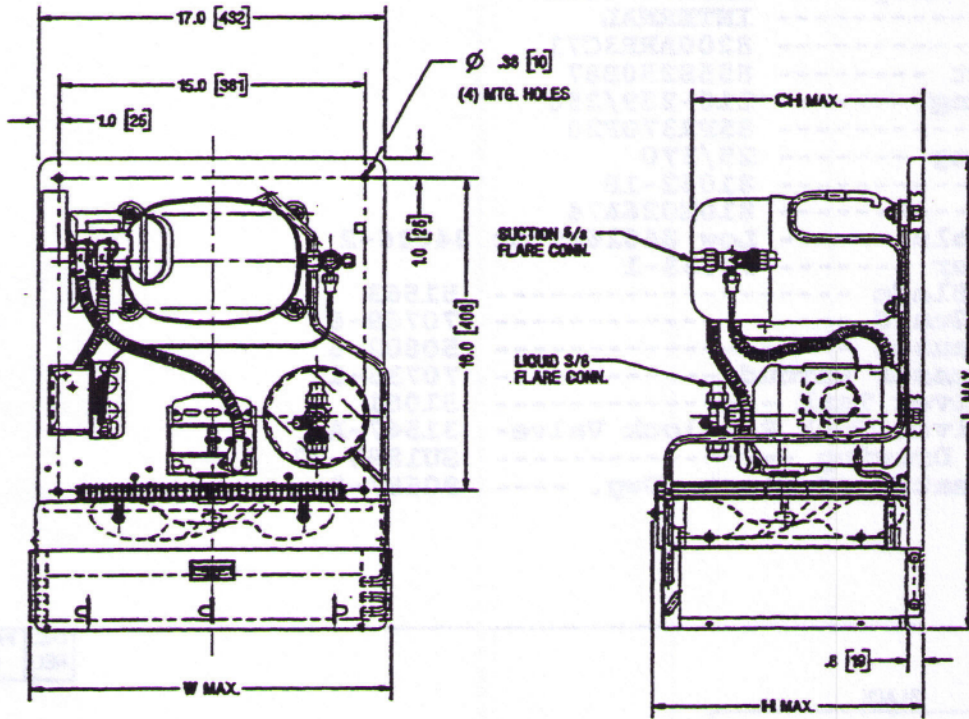


TECUMSEH

TECUMSEH HERMETIC CONDENSING UNITS

Date: 9-8-95

MODEL AJA7480ZDXC (Formerly AJ7480ZC) R-404A 1 HP AIR COOLED



NOTE:
DIMENSIONING = INCHES [MILLIMETERS]

Model	Dimensions				*Line Connection		Pumpdown 90 ° F 90% Full	Air CFM	Oil Chg oz.	Gr. Wt. Lbs.
	L	W	H	CH	Suct.	Liq.				
AJA7480ZDXC	24.3	17.8	13.4	11.6	5/8"F	3/8"F	6.0	600	26	120

*F=Flare, S=Solder, RF or RS= Rotolock Valve with Flare or Solder Connections
Factory charge: 20 psig nitrogen - MUST BE EVACUATED 60 HZ PERFORMANCE

Approved Evap. Range		Ambient								
		90° F			100° F			110° F		
°F	PSIG	BTUH	Watts	Head	BTUH	Watts	Head	BTUH	Watts	Head
-10	23.9	4330	1260	270	3600	1200	295	2850	1160	330
-5	28.2	4910	1350	280	4120	1300	310	3330	1275	340
0	32.8	5500	1440	290	4650	1420	320	3810	1390	355
5	37.9	6100	1550	300	5200	1530	335	4300	1520	365
10	43.3	6720	1660	310	5780	1650	345	4800	1640	380
15	49.2	7350	1780	325	6340	1775	355	5300	1770	390
20	55.5	7980	1900	335	6910	1900	370	5810	1900	400
25	62.2	8620	2020	350	7500	2030	385	—	—	—
32	72.5	9520	2200	370	8340	2220	400	—	—	—

Based on 40°F return gas, 5°F subcooling

SPECIFICATIONS		AJA7480ZDXC
Nominal Voltage -----		230/208-60-1
Unit B/M -----		2B1102-1
Voltage Range -----		253 to 187
Min. Circuit Ampacity --		12.4
Max. Fuse Size (Amps) --		20
Compressor Model -----		AJA7494ZXD
Bill of Material --		AJ202ET-188-P2
RLA/LRA -----		9.2/54.0
Relay Box Assy. ---		AE1170-043A
Overload -----		INTERNAL
Relay -----		8200ARR3C71
Cap. Start -----		855S250B87
Rating -----		216-259/250
Cap. Run -----		85PR370F20
Rating -----		25/370
Fan Motor -----		81062-1B
Alternate -----		810E026A74
Pressure Controls -----		Low 84026-5 or 84026-2
Crankcase Heater -----		90633-1
Fan Blade -----		51563
Fan Guard -----		70769-6
Condenser -----		50802-6
Condenser Shroud -----		70736-1
Receiver Tank -----		51081
Receiver Tank Rotolock Valve-		31547-A
Unit Drawing -----		SU1893-27
Schematic or Elect. Dwg. ----		90657-9

