

Project _____

Item Number _____

Quantity _____

B10TT Bakery Oven



10 Tray Electric Bakery Oven

Model: B10TT

B10TT: 10 TRAY ELECTRIC BAKERY OVEN WITH TOUCH SCREEN, FAN SPEED AND STEAM WASHING SYSTEM

Electric Bakery Oven



Features:

- Electric Oven With steam for frozen or pre-baked bread and pastries or fresh dough.

Standard Accessories:

- Washing System
- Full touch Screen Control

Univex Corporation

- Compact, versatile and with cutting-edge technology.

Optional Accessories:

- Stand's
- Hood

- Programmable baking programmes with up to 10 phases, and automatic self cleaning system for the interior.

Warranty:

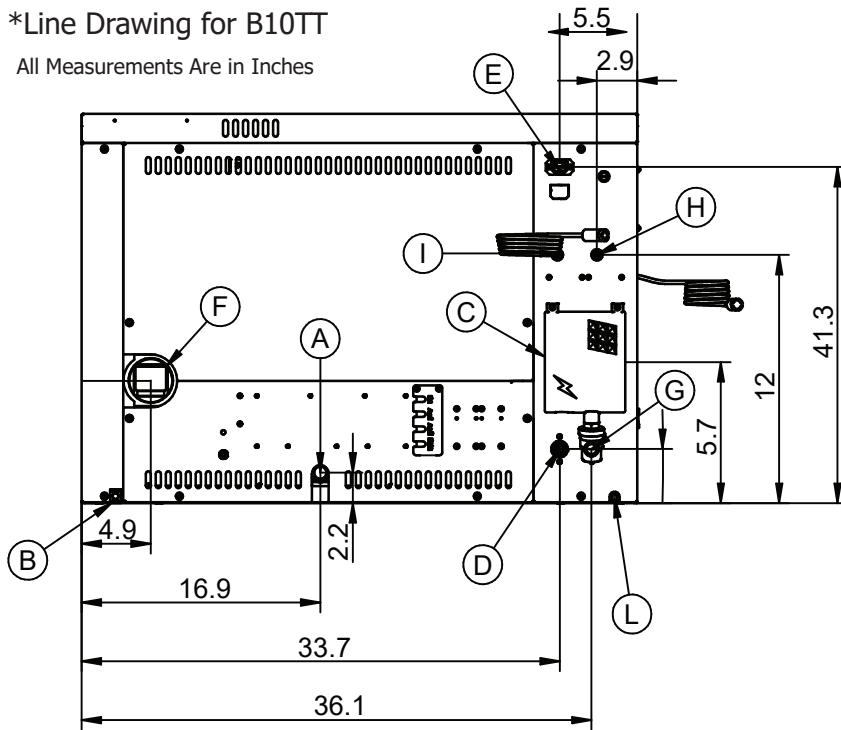
- One year, on-site parts and labor

Electric Oven

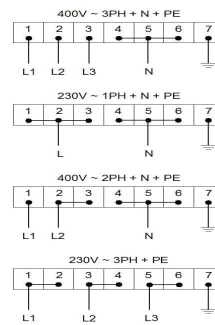
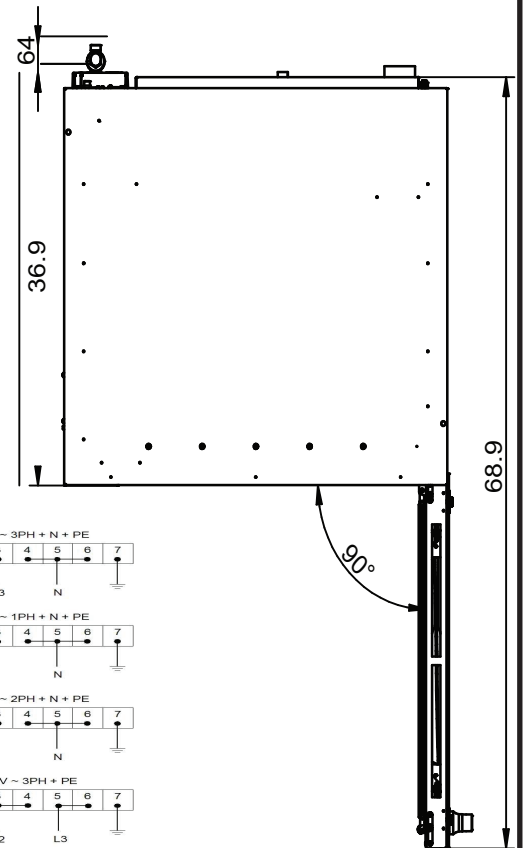
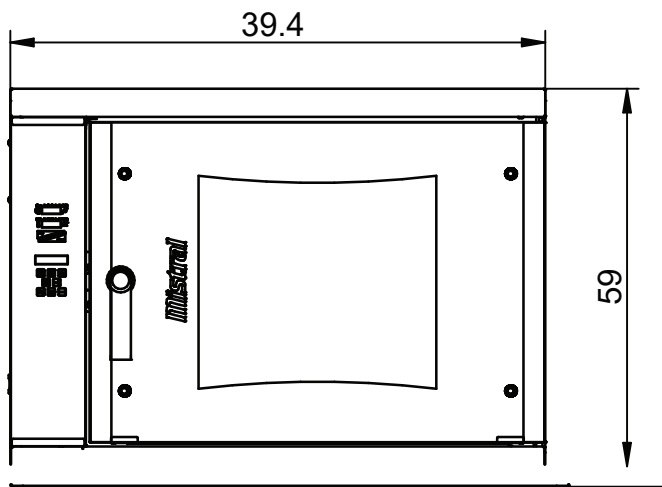
B10TT

*Line Drawing for B10TT

All Measurements Are in Inches



- A- Drain Liquid 3/4"
- B- Equipotential Terminal Comb
- C- Electric Supply
- D- Water Inlet 3/4"
- E- Extracting Hood Supply
- F- 80 Steam Exhaust
- G- Inlet for washing Kit 3/4"
- H- Wash suction pipe for rinse aid
- I- Wash Suction pipe for detergent
- L- Underdoor water drain



Net Weight: 396.6 lbs

Plug: Hard Wire with Shutoff

Electrical Information (60Hz)			
Standard Voltage/Hz/Phase	Amps	Optional Voltage/ Hz/ Phase	Optional Voltage/ Hz/ Phase
208/60/3	87	208/60/1	400/60/3