



Standing Refrigerated Cake Display



BDRCK-400

Product Description

Showcase pastries, cakes and more in this curved glass, floor standing Refrigerated Cake Display. This contemporary case keeps contents sanitary while beautifully displaying food on adjustable, rotatable shelves. Impulse sales will surely increase once customers see your baked goods illuminated by LED lights on 2 sides.

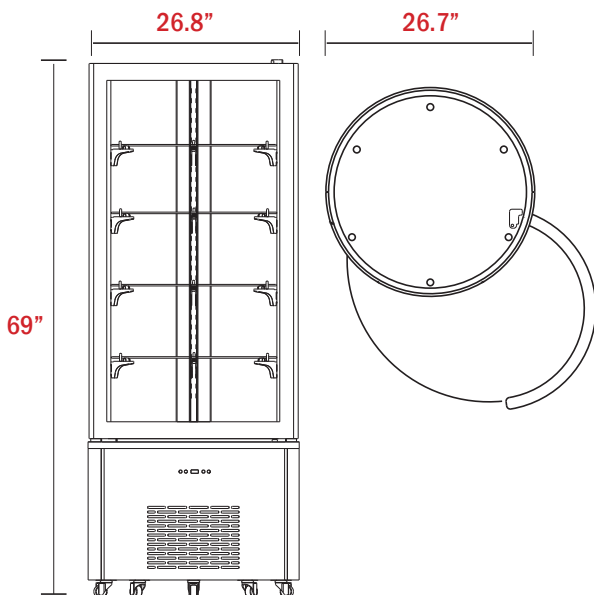
This display case uses eco-friendly R290 refrigerant and boasts 12.7 cu. ft. of storage, with a stainless steel base that is durable and easy to clean.

Features

- Refrigeration Temp: 35.6°F – 46.4°F
- Brilliant LED Illumination on 2 Sides
- Digital Temperature Control & Display
- Glass Adjustable and Rotatable Shelves
- Double Tempered Glass
- 5 Casters with Front 2 Brakes
- Ventilated cooling system
- Automatic Defrost
- Eco-friendly R290 refrigerant
- Stainless steel base



Plan Views



Specifications

Model Number	BDRCK-400
Rated Input Power	460W
Refrigerant	R290
Voltage/Hertz/Phase	110/60/1
Amps	3.5
Net Weight (lbs)	280 lbs
Gross Weight (lbs)	308 lbs
Display Area (f ²)	9.15 f ²
Capacity (Liter / Cu. Ft.)	360 Liters / 12.7 Cu. Ft.
Overall Dimensions (in)	26.8"L x 26.8"W x 69"H
Shipping Dimensions (in)	29.7"L x 29.7"W x 75"H
Temperature Range (°F)	35.6°F – 46.4°F