



STANDARD PIZZA PREP TABLE



High Quality Refrigeration With You In Mind.

Available as self contained or remote, the Marsal Salad & Pizza Prep Table is designed with enduring quality that will improve the efficiency and production of your restaurant. Constructed with stainless steel interior, front and sides, Marsal Prep Tables are equipped with a 17½" deep stainless steel work surface. Available in many sizes with one door (48" length), two door (62",68",72"), and three door models (87", 96"), the Marsal Prep Table is an essential addition to your kitchen.

For complete product information: www.marsalsons.com

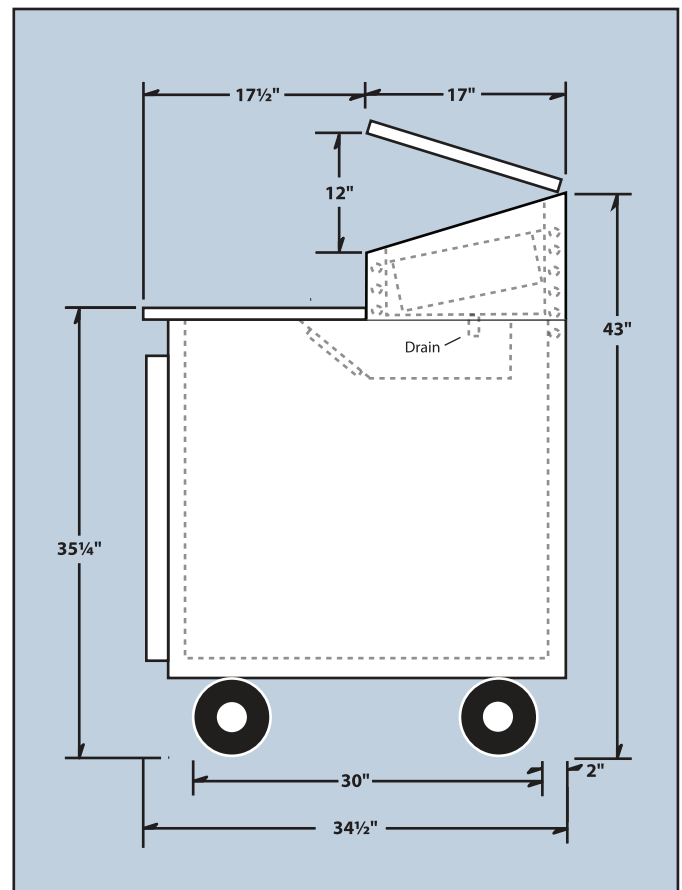
©2006, Marsal & Sons, Inc. All designs and specifications presented in this document are subject to change without notice due to constant innovation.

Dimensions/Specifications	BM 48	BM 62	BM 68	BM 72	BM 87	BM 96
Length	48"	62"	68"	72"	87"	96"
Depth	34½"	34½"	34½"	34½"	34½"	34½"
Height (Including Wheels)	43"	43"	43"	43"	43"	43"
Electrical (Volts)	115	115	115	115	115	115
Refrigerant Type	R134a	R134a	R134a	R134a	R134a	R134a
Horsepower / Amperage	⅓ HP / 7.2 amp	½ HP / 8.8 amp	½ HP / 8.8 amp	½ HP / 8.8 amp	¾ HP / 13 amp	¾ HP / 13 amp
Number of Doors	1 (19" w)	1 (19" w) + 1 (17" w)	2 (19" w)	2 (19" w)	3 (19" w)	3 (19" w)
Shipping Weight (lbs)	495	585	620	629	875	970

Key Features

- **Optimum Construction** - Stainless steel interior, front and sides for greater durability, construction and appearance. Heavy duty construction is built to last under constant operation.
- **17½" Deep Stainless Steel Work Surface**
- **Foam Insulation**
- **Fan Forced Air Refrigeration Interior**
- **Self-Evaporating Condensate System**
- **10 ½" Sauce Pot Adapter** conveniently placed inside the refrigerated condiment rail.
- **Conveniently Designed Cold Wall Refrigerated Condiment Rail** will hold up to 6" deep Pans. Stainless steel hinged covers keep ingredients fresh.
- **6" Heavy Duty Locking Casters** for easy mobility and installation.
- **Self Closing Hinged Magnetic Doors** with one stainless steel duckboard/shelf per door
- **Dual Temperature Control System**
- **All Units Meet New NSF Standard 7**

Side View on All Models



Available Options

- Condiment Pans
- 10 ½" Sauce Pot
- Additional Interior Shelves
- Drawers
- left side compressor
- 6" Adjustable Legs
- Custom Sizes
- ½" Solid Work Surface
- Extended 4 Year Warranty on Compressor

LIMITED WARRANTY

- 1 Year on Parts
- 1 Year on Service
- 1 Year On Compressor

