

C-TRONIC FOOD PROCESSOR (4VT, 6VT, 9VT)

- Sturdy body constructed in die-cast and extruded aluminum
- Motor and tank side-by-side, allowing the product to be isolated from the heat
- Tank in 18/10 stainless steel with heat-diffusing bottom, and handles for an excellent handling and easy removal during cleaning and maintenance
- High efficiency ventilated motor for continuous operation
- Strong cutlery steel knives
- Safety micro-switch on lid
- Micro-switch on lever
- Lid in transparent Tritan* allowing excellent visibility during processing
- Lid with opening to add ingredients during operation
- Standard speed control

**INCLUDED:
SPATULA AND SHARPENING STONES**

**TRITAN: BPA-FREE PLASTIC.*



C-TRONIC 9VT



C-TRONIC 4VT



C-TRONIC 6VT

EC professional cutters are made entirely of AISI 304 stainless steel. This material is suitable for food (hygiene) and is perfectly resistant to acids and salts, and has high resistance against oxidation. Blades are rectified and tempered and made with cutlery steel (ASI 420); they are designed to cut, mince, whisk and mix without ever having to change utensils.



OPTIONS:



SERRATED BLADES



PERFORATED BLADES



BLADES FOR DOUGH



BLADES FOR PESTO



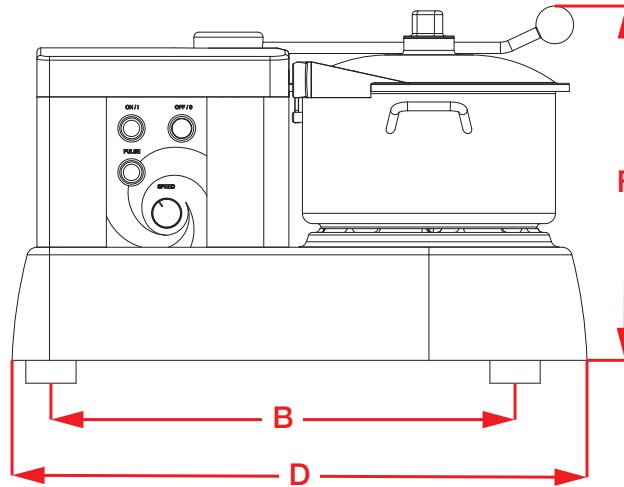
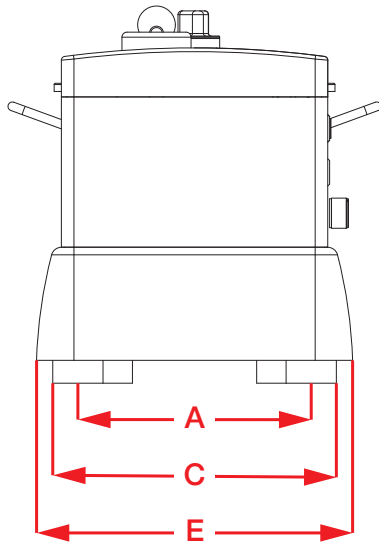
Controls



Variotronic: Stabilized speed variator.



Scraper spatula for cleaning the tank and lid during processing.



	4VT	6VT	9VT
A	7.25"	7.25"	9.5"
B	14.5"	14.5"	17.5"
C	10"	10"	12.5"
D	18"	18"	22"
E	11.75"	12"	13.75"
F	11.75"	12"	16.5"

	POWER	NEMA	MOTOR	BLADE SPEED	MAXIMUM CAPACITY	MINIMUM VOLUME	DIMENSIONS (L X W X H)	NET WEIGHT	SHIPPING DIMENSIONS	SHIPPING WEIGHT
C-TRONIC 4VT	120V, 600W, 2A	5-15P	350W, 0.5HP, 1PH	600-2800 RPM	0.87Gal (3.3L)	0.4Gal (1.5L)	18" x 11.75" x 11.75"	30 lbs	11.75" x 20" x 14.5"	35 lbs
C-TRONIC 6VT	120V, 600W, 2A	5-15P	350W, 0.5HP, 1PH	600-2800 RPM	1.4Gal (5.3L)	0.82Gal (3.1L)	18" x 12" x 12"	32 lbs	11.75" x 20" x 17"	37.5 lbs
C-TRONIC 9VT	120V, 1200W, 4A	5-15P	350W, 0.5HP, 1PH	600-2800 RPM	2.5Gal (9.4L)	1.5Gal (5.4L)	22" x 13.75" x 16.5"	51 lbs	14.25" x 23.5" x 19"	57 lbs

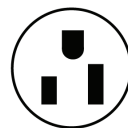
ONE YEAR WARRANTY ON PARTS AND LABOR.



Intertek



Intertek



5-15P



V1.05.2020



Please consult our website www.eurodib.com for additional information on our product lines.
 US 334 Cornelia St., Suite #272, Plattsburgh, NY 12901 | CAN 120 rue de la Barre, Boucherville, QC, J4B 2X7
 1 888 956 6866 | info@eurodib.com | www.eurodib.com