

# Glastender®

A family company manufacturing in the USA

www.glastender.com



C1SB24 with compressor left, stainless steel door, and stainless top



**Intertek**

EP 5016978

Energy Performance  
Verified / Rendement  
Énergétique Vérifié



**Intertek**

4004503

Conforms to NSF/ANSI STD 7  
and UL STD 471  
Certified to CSA STD C22.2 No. 120  
Listed to NSF Standard 7  
for open food as a storage refrigerator



**Intertek**

## Standard Features

- Self-contained
- Stainless steel interior
- Locking door(s)
- LED interior lighting
- Heated mullion to minimize condensation

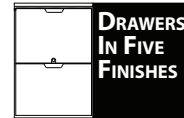
Project: _____	AIA# _____
Item #: _____ Qty: _____	SIS# _____
Model #: _____	

## Coolers, One Zone, Side Serviced, Bar Profile

**C1SB**

C1SB20, C1SB24, C1SB28, C1SB36,  
C1SB44, C1SB48

### CONFIGURATION HIGHLIGHTS



## Configurable Options

### Temperature:

- Beer/Food - 34°F to 40°F
- White wine - 50°F to 55°F
- Red wine - 60°F to 65°F

### Refrigeration Compartment

#### Location:

- Left or Right

### Refrigeration Compartment

#### Cover Finish:

- Black vinyl-clad
- Stainless steel
- Jeweled stainless

### Door Style & Finish:

- Black vinyl-clad
- Stainless steel
- Jeweled stainless
- Laminated
- Unlaminated
- Glass, black vinyl-clad
- Glass, stainless steel
- Glass, jeweled stainless
- Glass, laminated

### Drawer Style & Finish:

- Black vinyl-clad
- Stainless steel
- Jeweled stainless
- Laminated
- Unlaminated

### Door Hinge Location (specify for each door):

- Left or Right

### Door Handle: (drawers come with a stainless pull tab handle)

- Signature (drawers excluded)
- Pull-tab
- Tube

### Shelving (specify per door section):

- Three adjustable, coated-wire shelves
- Keg Rack
- Pull-out wine shelves (C1SB20 and C1SB36 excluded):
  - » one upright and three horizontal storage combination
  - » two upright storage
  - » five horizontal storage or six if not next to compressor compartment)

### Top Style:

- No finished top
- Stainless top
- Laminated top

### Left and Right Side Finish:

- Black vinyl-clad
- Stainless steel
- Laminated

### Back Finish:

- Galvanized steel
- Stainless steel

### LED Lighting Style:

- Bright white (7,000k)
- Warm white (3,500k)
- Amber (2,700k)
- Blue

See page 4 for direct draw draft beverage towers and accessories

Glastender, Inc. • 5400 N Michigan Rd • Saginaw, MI • 48604-9780  
989.752.4275 • 800.748.0423 • Fax 989.752.4444  
www.glastender.com

Approval/Notes:

Specifications subject to change without notice. For current specifications please visit our website.

# Coolers - One Zone, Side Serviced, Bar Profile

## Specifications

		C1SB20	C1SB24	C1SB28	C1SB36	C1SB44	C1SB48
Dimensions	Length	20"	24"	28"	36"	44"	48"
	Number of Sections	1	1	1	2	2	2
	Door Opening	12"	17.5"	20"	12"	16"	18"
Electrical	Electrical Supply	120V, 1 phase, 60 Hz, dedicated 15A circuit required					
	Full Load Amps	2.75					
	Plug Type	8 foot NEMA 5-15P grounded cord and plug which exits the back of refrigeration compartment*					
Refrigeration	Refrigerant	R290 - 105 grams, 3.7 oz., 0.23 pounds					
	Compressor	Reciprocating, 1/8HP, 1,000 BTUH, 0.08 Tons					
	Heat Rejection	1126 BTU/hr					
Operating Range		34°F (1°C) to 65°F (18°C)					
Plumbing		Automatic condensate evaporator; no drain connection required					
Weight Bearing Capacity		Countertops and other accessories should not exceed 500 pounds per door					

### Materials

- Stainless steel parts include: exterior sub-top, interior, front of cabinet, hinges, hinge and lock brackets, and optional legs
- Black vinyl-clad steel parts include: standard sides, doors and compressor cover
- Galvanized steel parts include: back and bottom
- Zinc plated CR steel parts include: leg sockets



## Capacities

		C1SB20	C1SB24	C1SB28	C1SB36	C1SB44	C1SB48
12 oz. bottles, cases		3.3	5.8	6.6	8.9	12	13.2
750ml wine bottles		52	74	87	111	150	177
1/2 barrel kegs		N/A	1	1	N/A	N/A	2
1/6 barrel kegs		2	3	4	5	7	8
<b>Capacity values below are per door/drawer section (750ml wine bottles)</b>							
Next to compressor	Drawers	33	54	65	33	43	54
	Upright pull-out	N/A	52	65	N/A	46	56
	Horizontal pull-out	N/A	30	40	N/A	30	35
	Combination pull-out	N/A	40	50	N/A	36	43
Not next to compressor	Drawers	N/A	N/A	N/A	42	56	70
	Upright pull-out	N/A	N/A	N/A	N/A	56	68
	Horizontal pull-out	N/A	N/A	N/A	N/A	36	42
	Combination pull-out	N/A	N/A	N/A	N/A	46	55



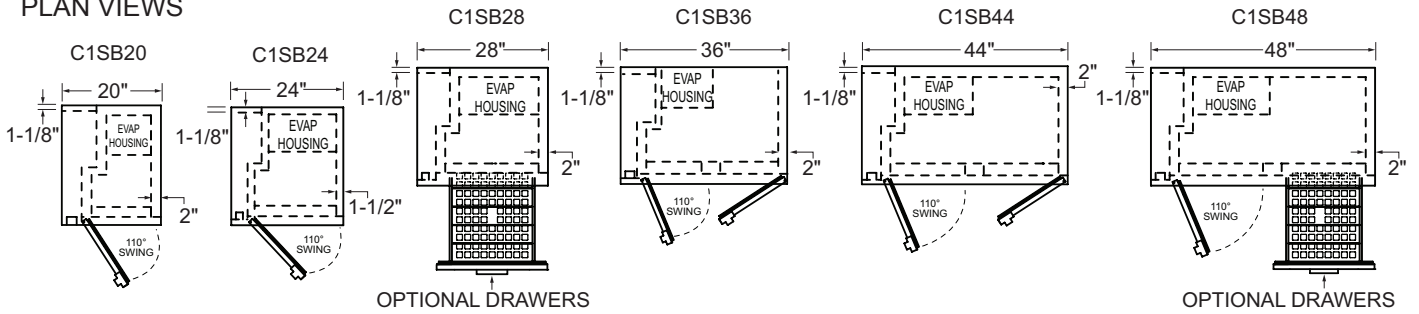
5400 N Michigan Rd • Saginaw, MI • 48604-9780  
 989.752.4275 • 800.748.0423 • Fax 989.752.4444  
 www.glastender.com

Printed in USA

# Coolers - One Zone, Side Serviced, Bar Profile

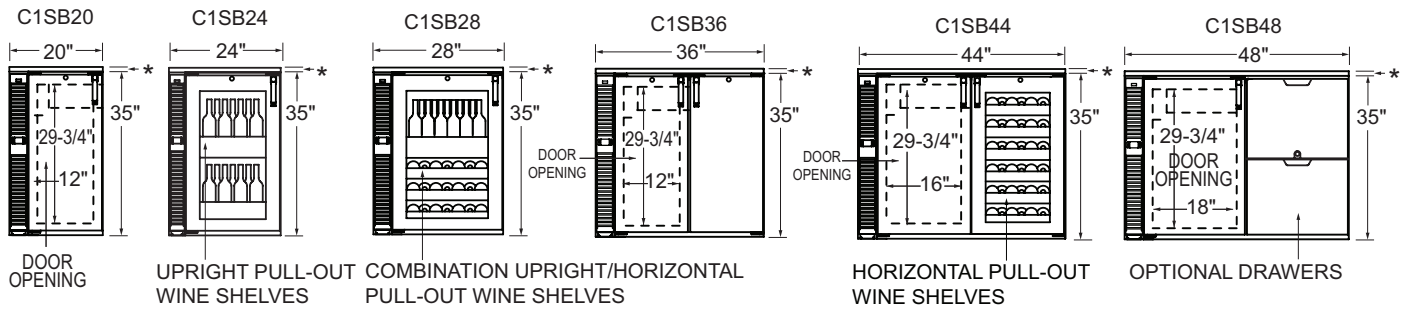
## Drawings

### PLAN VIEWS



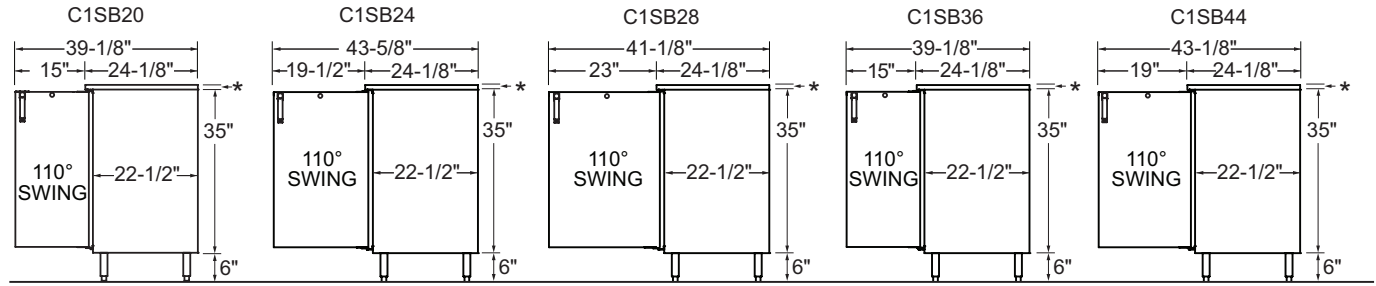
### FRONT VIEWS

\* ADD 1" HEIGHT TO TOP FOR FACTORY INSTALLED TOP

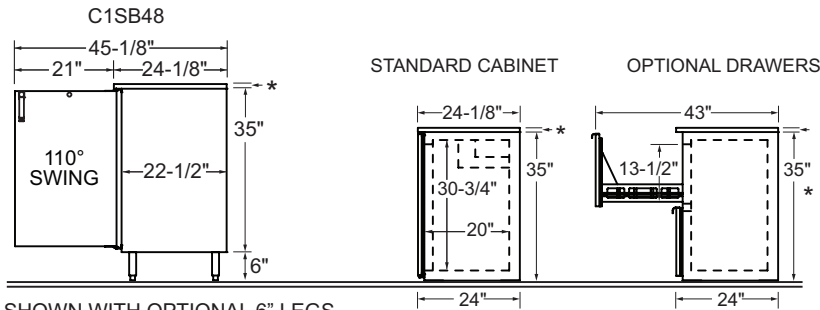


### SIDE VIEWS

\* ADD 1" HEIGHT TO TOP FOR FACTORY INSTALLED TOP

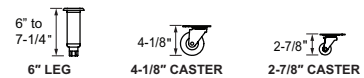


SHOWN WITH OPTIONAL 6" LEGS



SHOWN WITH OPTIONAL 6" LEGS

### OPTIONAL LEGS AND CASTERS



## Configuring Bar Profile Coolers for Draft Beverage Dispensing

All Glastender bar profile coolers can be configured for draft beverage dispensing. Please note that a minimum 17" wide door opening is required for full size (i.e., 16" diameter) 1/2 barrel kegs. Refer to the capacity statements in the Product Directory or Specification Sheet for the sizes and quantities of kegs each unit will hold.

## Direct Draw Draft Beverage Towers

Glastender Beverage Towers come standard with the stainless steel faucets and shanks necessary to dispense keg beer, wine, soda, coffee, or cocktails. See individual spec pages for complete information.

Look for the Draft Beer Compatible logo



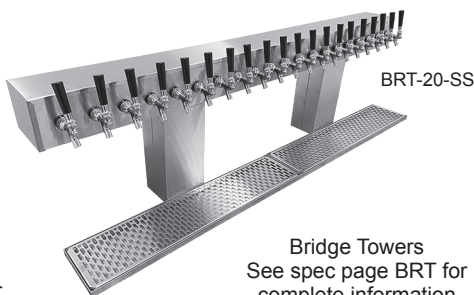
CT-3-SS

Column Towers  
See spec page CT for complete information



BT-4-SS

Tee Towers  
See spec page BT for complete information



BRT-20-SS

Bridge Towers  
See spec page BRT for complete information



CBT-4-MF

Cobra Towers  
See spec page CBT for complete information

## Tower Cooling Kits

Direct draw beverage towers are chilled by air from inside the host cooler. This is especially important for draft beer, as warm faucets cause the beer to foam.

### TOWER COOLING KITS

MODEL	DESCRIPTION	WG#
TCK12-1	For 1 & 2-door coolers w/ one tower column	3#
TCK12-2	For 1 & 2-door coolers w/ two tower columns	6#
TCK34-1	For 3 & 4-door coolers w/ one tower column	8#
TCK34-2	For 3 & 4-door coolers w/ two tower columns	11#
TCKR-1	For remote coolers w/ one tower column	3#
TCKR-2	For remote coolers w/ two tower columns	6#

### PRIMARY REGULATOR KITS

Primary regulators are used to step down the CO<sub>2</sub> or nitrogen pressure from the main source. A tank mount CO<sub>2</sub> primary regulator attaches directly to the CO<sub>2</sub> tank. A bulk or in-line CO<sub>2</sub> primary regulator is used to splice into a CO<sub>2</sub> line when the CO<sub>2</sub> tank is shared by more than one system. A tank mount nitrogen primary regulator is used with pre-blended nitrogen and CO<sub>2</sub> or pure nitrogen gas. Each primary regulator kit includes 50 feet of nylon braided hose.

MODEL	DESCRIPTION	WG#
PRK-TC	Tank mount CO <sub>2</sub> primary regulator kit	15#
PRK-BC	Bulk CO <sub>2</sub> primary regulator kit	15#
PRK-TN	Tank mount nitrogen primary regulator kit	15#

### SECONDARY REGULATOR KITS

The REG-CO2-LP1 secondary regulator kit is normally mounted inside the direct draw cooler and connects to the gas line coming from the externally mounted primary regulator. For installations with more than one keg on tap, also order the appropriate manifold kit(s). When no external source of CO<sub>2</sub> is available, a 5 pound CO<sub>2</sub> cylinder may be stored inside the cooler, which will require the REG-CO2-HP regulator. A manifold kit will also be required if there is more than one keg on tap.

MODEL	DESCRIPTION	WG#
REG-CO2-LP1	Secondary regulator kit	7#
REG-CO2-HP	Primary regulator kit for use with 5# CO <sub>2</sub> tank	7#
MAN2	Two product manifold kit	2#
MAN3	Three product manifold kit	3#
MAN4	Four product manifold kit	4#
MAN5	Five product manifold kit	5#
MAN6	Six product manifold kit	6#

### ADDITIONAL ACCESSORIES

MODEL	DESCRIPTION	WG#
03004240	1/2" ID black drain line, per foot	N/A
05000400	5/16" ID red vinyl air line, per foot	N/A
05000386	1/4" ID nylon braided air line, per foot	N/A
05001066	Sanke keg tap, stainless steel probe	2#
05001026	Sanke keg tap, low profile	2#
05002019	U system keg coupler w/ss probe for Guinness and Harp	2#
05000368	Lock for beer faucet	2#
05000636	5# CO <sub>2</sub> tank (unfilled)	15#
LCK	Line cleaning kit	
06007084	Drain bottle	

