

Project Name: \_\_\_\_\_ AIA#: \_\_\_\_\_

Model #: \_\_\_\_\_ Location: \_\_\_\_\_

SIS#: \_\_\_\_\_ Item #: \_\_\_\_\_ Quantity: \_\_\_\_\_



# Chefmate® by Globe Manual Control Countertop Gas Griddle

## Keep it Clean!

*Removable cooktop simplifies cleaning.*



### Model

- C24GG (pictured)
- C36GG

### Standard Features

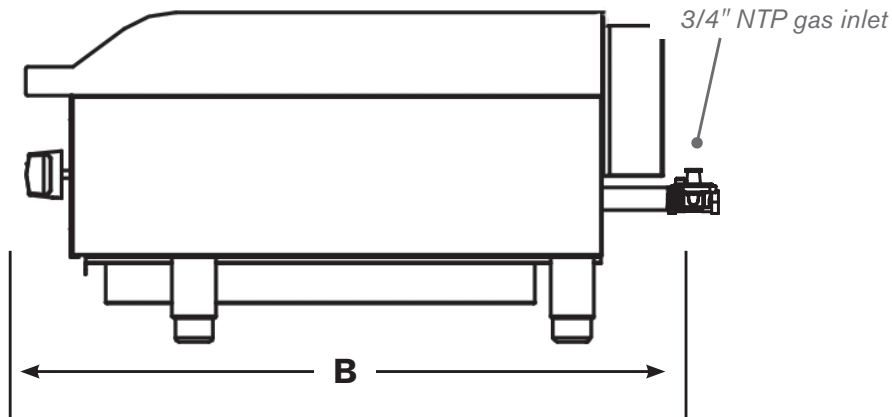
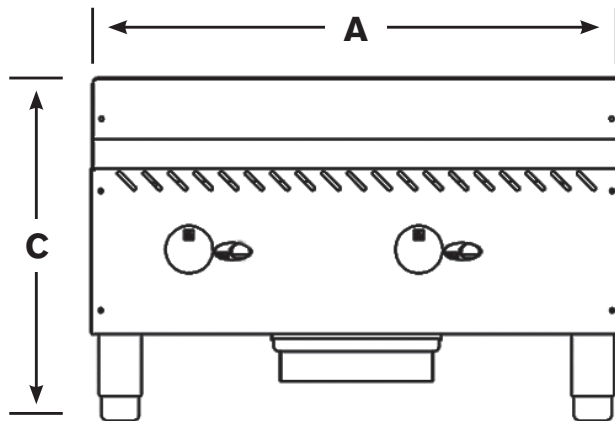
- Available in 24" and 36" widths
- Stainless steel construction with extended cool-to-touch front edge
- Manual controls
- 3/4" polished griddle plate for uniform heat distribution
- Durable steel U-style burner provides heat control every 12" and flame every 6"
- 3.25" high back and side splash
- Spatula wide 3.25" trough
- Stainless steel legs with adjustable feet
- Stainless steel catch tray
- Cooktop fully removable for easy cleaning
- High performance 30,000 BTUs per burner
- Adjustable pilots with front access
- Unit ships natural gas with liquid propane gas (LP) conversion kit and regulator

### Warranty

- One year parts and labor



Approved by: \_\_\_\_\_ Date: \_\_\_\_\_



For indoor use only.

**DIMENSIONS | SPECIFICATIONS | SHIPPING INFORMATION**

Reinforced carton for shipping. Weight of carton included below and may vary from shipment to shipment. **Shipped on a pallet. Freight class 77.5**

Model	Dimensions			No. Burners BTUs ea	BTUs (Total)	Cooking Area	Net Wt	Ship Wt
	A - Width	B - Depth	C - Height					
<b>C24GG</b>	24" (61 cm)	33" (83 cm)	15.5" (40 cm)	<u>2</u> 30,000	60,000	24" x 20" (61 cm x 51 cm)	178.57 lbs (81 kg)	183 lbs (83 kg)
<b>C36GG</b>	36" (91.5 cm)	33" (83 cm)	15.5" (40 cm)	<u>3</u> 30,000	90,000	36" x 20" (91.5 cm x 51 cm)	231 lbs (104.8 kg)	257 lbs (116.6 kg)

**GAS REQUIREMENTS AND INFORMATION**

- Natural gas or LP main supply required
- Conversion of unit from natural gas to LP must be completed by an authorized Globe servicer
- 3/4" standard pipe size I.D. connection

Gas griddle is manual control and constructed of stainless steel with cool-to-touch front edge. Unit has high performance 30,000 BTU burners with adjustable pilot lights with front access. Griddle has 3/4" griddle plate, 3.25" high back and side splash, 3.25" wide trough, stainless steel removable catch tray and stainless legs with adjustable feet. Cooktop is fully removable, pilots are adjustable with front access. Gas connection is 3/4" N.P.T. males and a convertible pressure regulator is provided for either LP or natural gas. Griddles are listed to NSF Standard 4 by CSA.