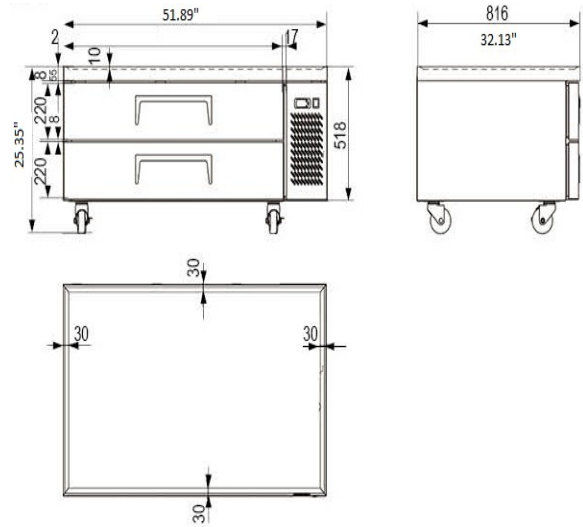


Model:
CBI-52

Chef Base Refrigerator

 Cooler



Drawers	GN Pans	Refrigerant	HP	Power	Amps.	Cu.ft.	Weight(lbs.)
2	6x1/1	R290	1/4+	115/60/1	7.4	34	250

FEATURES

- ☒ **Stainless steel interior and exterior** retains attractive finish longer. Matching aluminum finished back.
- ☒ **Rounded corner** design inside of the cabinet makes it easy to clean it.
- ☒ **Cabinet Top – One piece:**
 - ✓ Heavy duty reinforced stainless steel. Drip resistant.
 - ✓ "V" edge protects against spills.
- ☒ **Standard drawer features:**
 - ✓ Heavy-duty pull handle.
 - ✓ Tracks and rollers make each drawer open and close easier, enduring quality.
 - ✓ Each drawer fits 3 full size pans 4" deep.
- ☒ **Refrigeration system:**
 - ✓ Holds 33°F to 41°F (0.5°C to 5°C) for the best in food preservation.
- ☒ **Electronic control system:**
 - ✓ Adjustable temperature set point and defrost frequency.
 - ✓ Error codes to diagnose service issues.
- ☒ **Standard heavy-duty casters** make it easy to move and clean underneath.
- ☒ **Optional: Food pans**
- ☒ Easily accessible condenser coil for cleaning, and easy service access.