



FOOD EQUIPMENT

SERVING THE FOOD INDUSTRY SINCE 1951

STAINLESS STEEL OUTDOOR BBQ GRILLS

Items: 47352, 47353

ENJOY COOKING AND GRILLING YOUR SIGNATURE MEATS, KEBABS, AND VEGETABLES OUTSIDE WITH OMCAN'S OUTDOOR BBQ GRILLS!

Perfect for country clubs, resorts, hotels, and catering events, Omcan's outdoor propane barbecue grills comes with 4 and 8 burners - outputting 64,000 to 128,000 BTU each. They are constructed with durable stainless steel construction and made portable by 4 casters which allows easy transitions to places. Easy to use and clean.



WARRANTY
PARTS AND LABOR



Authorized Dealer

FOOD EQUIPMENT

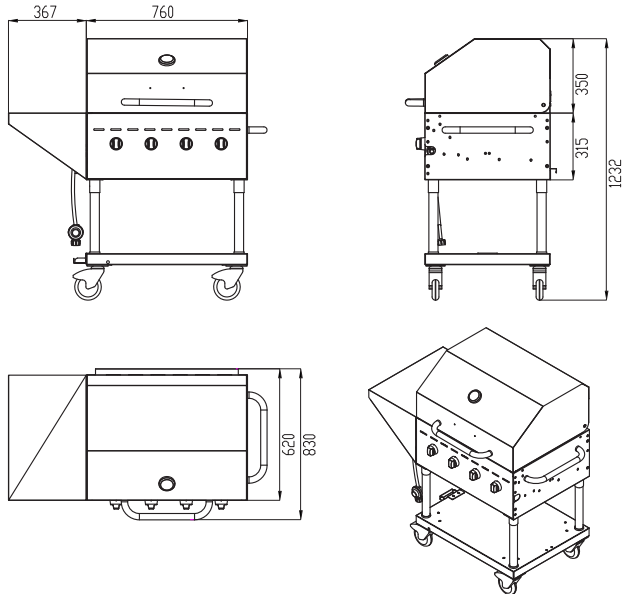
OUTDOOR PROPANE BBQ GRILLS



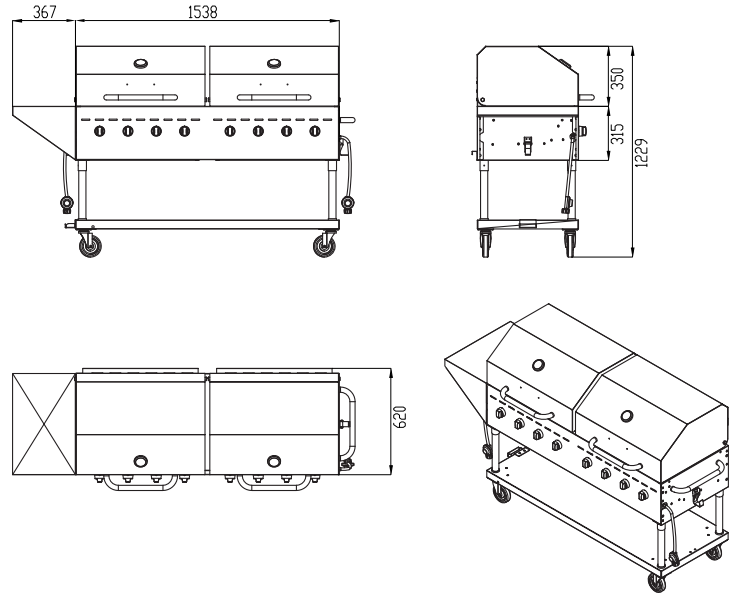
TECHNICAL DRAWINGS & DIMENSIONS

*measurements in diagrams are in mm

47352



47353



TECHNICAL SPECIFICATIONS

	With Top and Side Shelf	With Top and Side Shelf & 2 Roll Dome
Item	47352	47353
Model	CE-CN-0030-S LP	CE-CN-0060-S LP
Number Of Burners	4	8
BTU	64,000	128,000
Pre-Heat Time	4 minutes	4 minutes
Cooking Area (WD)	27.71" x 19.49"	55.43" x 19.49"
Gas Type / Propane Tank Size	Propane / 20 lbs	Propane / 20 lbs
Dimensions	33.54" x 25.87" x 34.72"	64.17" x 25.87" x 34.72"
Gross Dimensions	33.46" x 26.38" x 18.11"	66.93" x 26.57" x 22.05"
Weight	125.9 lbs / 57.1 kg	242.5 lbs / 110 kg
Gross Weight	136.7 lbs / 62 kg	273.4 lbs / 124 kg
Conversion Kit Included	NO	NO

FEATURES:

- Made of 304 stainless steel (including grids, burners ,and fasteners)
- Heat up to cooking temperature in 4 minutes
- Tank holder on the back of the unit (hold 20 lbs propane tank)
- Storage shelf and angled legs for durability
- 1.312" - 5 ACME gas inlet size



WARRANTY
PARTS AND LABOR



OMCAN INC.

Telephone: 1-800-465-0234
 Fax: (905) 607-0234
 Email: sales@omcan.com
 Website: www.omcan.com



Follow us to keep up to date with the latest news and offers



2017E&OE