



FOOD EQUIPMENT

SERVING THE FOOD INDUSTRY SINCE 1951

3560 W COUNTERTOP ELECTRIC GRIDDLE

ITEM: 43213 | MODEL: CE-CN-0613

OMCAN'S COUNTERTOP ELECTRIC GRIDDLE

is made up of heavy-duty stainless steel construction that is suitable for commercial use. Designed to be safe and energy efficient.

Features independent thermostat controls for convenient use, and high efficiency stainless steel heating element.



Authorized Dealer



WARRANTY
PARTS AND LABOR



FOOD EQUIPMENT

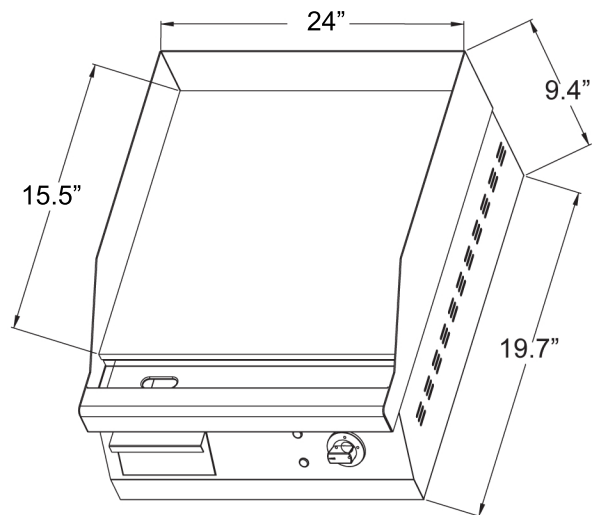
3560 W COUNTERTOP ELECTRIC GRIDDLE CE-CN-0613



TECHNICAL SPECIFICATIONS

ITEM NUMBER	43213
MODEL	CE-CN-0613
POWER	3560 W
TEMPERATURE	65° - 300°C / 150° - 570°F
COOKING AREA (WD)	24" x 15.5" / 610 x 394 mm
ELECTRICAL	220V/60/1Ph
WEIGHT	36 kg. / 79.4 lbs.
PACKAGING WEIGHT	41.4 kg. / 91.3 lbs.
DIMENSION (DWH)	19.7" x 24.1" x 9.4" / 502 x 612 x 234 mm
PACKAGING DIMENSIONS	22.9" x 28.5" x 13" / 724 x 582 x 330 mm

TECHNICAL DRAWING AND DIMENSIONS



FEATURES

- Commercial heavy-duty stainless steel construction
- Quick heating and large cooking area
- Top and bottom double welding technology
- High efficiency stainless steel heating element
- Thick steel cooking plate, high heat retention and even heating
- Stainless steel control knobs
- Large removable grease tray
- Extra steel splash-guard inside and back for protection against grease and spills
- Power and heating lights
- High output, high efficient and energy saving



WARRANTY
PARTS AND LABOR



NEMA
6 - 20
250 VAC / 20 AMP
RECEPTACLE



OMCAN INC.

Telephone: 1-800-465-0234

Fax: (905) 607-0234

Email: sales@omcan.com

Website: www.omcan.com



Follow us to keep up to date with the latest news and offers



2018.E.O.E