

Electric Steam Tables

Standard Features

- Fully insulated open wells—all four sides and bottom of wells are insulated by fiberglass, 8” deep, dry heating style, open well design
- Temperature control—individual infinite switch controls each well
- Two type heat elements—500 watt per well and 750 watt per well
- Stainless steel die-stamped opening—12”x20”, rising lip around well helps keep well clean and makes food pans easy to load and unload
- Poly cutting board—7” wide x 1/2” thick with 18 gauge stainless steel support shelf and brackets
- 18 gauge stainless steel top, body and under shelf
- Stainless steel tubular legs with adjustable stainless steel feet, giving tables a strong structure
- Indicator light of each well shows both power on and element heating
- Mechanical guards on all switches for safety and reliability
- Standard with water pans

Optional Accessories

- Casters (set of 4) item # CSTEА-2-016

MODELS:

CSTEА-2C/CSTEА-3C/CSTEА-4C/CSTЕВ-5C

CSTEА-2C



CSTEА-3C



CSTEА-4C



CSTЕВ-5C



1 YR WARRANTY ON ALL PARTS AND LABOR (US ONLY)



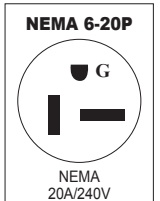
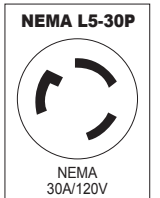
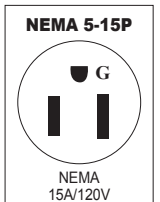
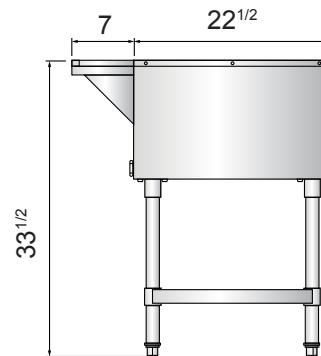
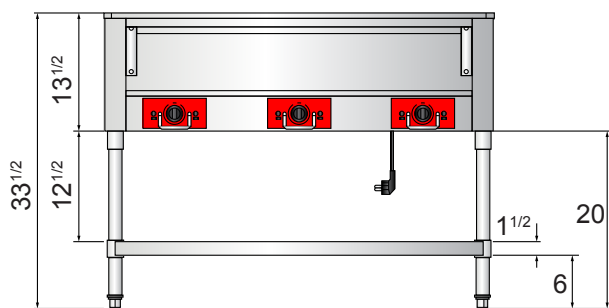
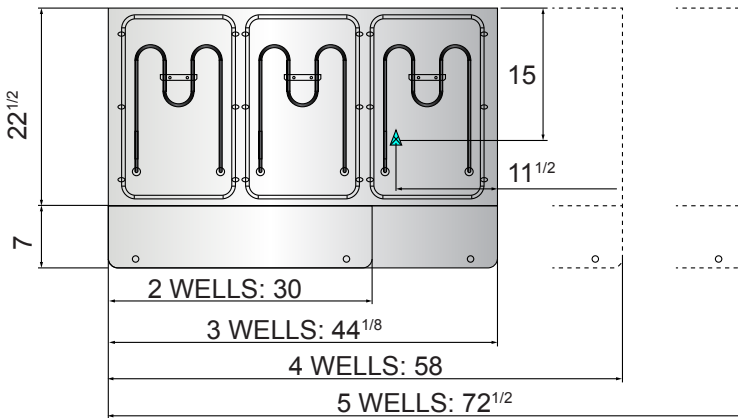
Conforms to ANSI
STD Z83.110-2009 (2011)
Certified to CSA
STD 1.4B-2009 (2011)
Conforms to NSF/ANSI STD.4



SPECIFICATIONS

| Models | Voltage (V) | Wells | Watts/Well (W) | Total Watts | PH | Top Opening | Cu.ft. | Plug | Exterior Dimensions (inch) | Net Weight (lbs) | Gross Weight (lbs) |
|----------|-------------|-------|----------------|-------------|----|-------------|--------|-------------|---|------------------|--------------------|
| CSTEA-2C | 120 | 2 | 500 | 1000 | 1 | 2 | 10.9 | NEMA-5-15P | 30×29 ^{1/2} ×33 ^{1/2} | 64 | 77 |
| CSTEA-3C | 120 | 3 | 500 | 1500 | 1 | 3 | 15.5 | NEMA-5-15P | 44 ^{1/8} ×29 ^{1/2} ×33 ^{1/2} | 84 | 104 |
| CSTEA-4C | 120 | 4 | 500 | 2000 | 1 | 4 | 19.8 | NEMA-L5-30p | 58×29 ^{1/2} ×33 ^{1/2} | 98 | 131 |
| CSTEB-5C | 240 | 5 | 750 | 3750 | 1 | 5 | 29.7 | NEMA-6-20P | 72 ^{1/2} ×29 ^{1/2} ×33 ^{1/2} | 123 | 168 |

PLAN VIEW



Fully insulated wells Stainless steel exterior Temperature control Stainless steel legs

