

Champion®

The Dishwashing Machine Specialists

Project _____
Item No. _____
Quantity _____

DH-6000 HOOD-TYPE

STANDARD FEATURES

- **Factory Authorized Startup**
- **HMI – Operator Touch Screen Interface**
- **On-Board Service Diagnostics**
- **Field Convertible – Single to three, or three to single phase**
- **Sleep Mode – All internal heaters shut off after 4 hours idle**
- Auto delime with delime notification
- Field convertible from straight to corner operation
- Dual NSF listed as both a dishwasher and potwasher
- Rinse Sentry – ensures 180°F final rinse, requires built-in booster
- Cycle counter
- Auto start – starts unit when hood is closed
- Single or dual point electrical connection
- High efficiency 2 HP pump
- Self draining pump
- Automatic tank fill
- Automatic drain valve – drains wash tank when power is off
- PRV (Mounted Pressure Reducing Valve)
- Vent fan control
- 4 selectable cycles

DH-6000

High Temperature
Hood-type Dishwashing Machine



OPTIONS & ACCESSORIES

- NEW** Built-in detergent and rinse aid pumps
- Drain Water Tempering kit (unmounted)
- Ventless/Heat Recovery/Condensate Removal option
- Door Interlock – locks door closed during the vent fan cycle
- Racks
 - Peg
 - Flat
- Corner Operation splash baffle
- NEW** Champion ION scale prevention system
- Built-in booster configured to ensure 180° rinse



Photo is for general visual representation only. Please refer to specifications for the latest detailed product information.

SPECIFIER STATEMENT

Specified unit will be Champion model DH-6000 high temperature hood-type dish-washing machine. Features HMI controls, Rinse Sentry, Auto start, up to 60 racks/hour, 0.73 US gals/rack [2.76 liters/rack, 0.61 imp. gals/rack].
1 year parts and labor warranty.

Champion Industries, Inc.
3765 Champion Blvd., Winston-Salem, NC 27105
Tel: 336/661-1556 Fax: 336/661-1979

2674 N. Service Road
Jordan Station, Ontario, Canada L0R 1S0
Tel: 800/263-5798 Fax: 905/562-4618

www.ChampionIndustries.com

Champion®

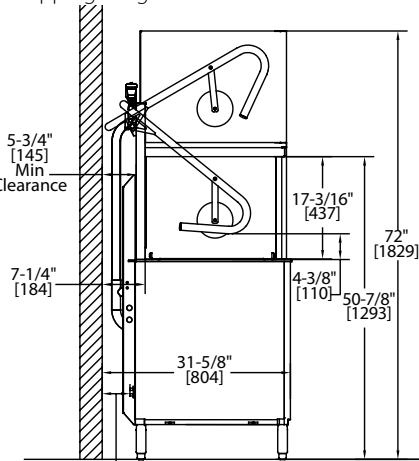
The Dishwashing Machine Specialists

DH-6000

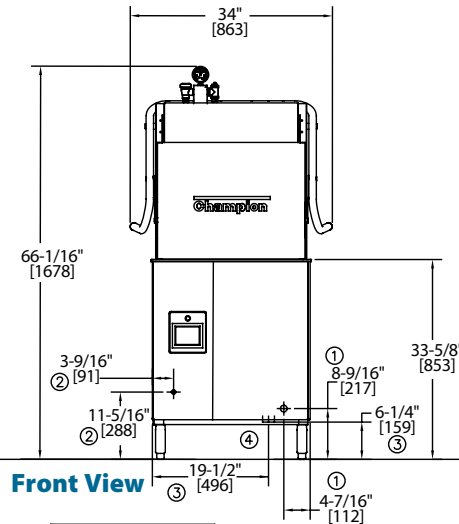
High Temperature Hood-type Dishwashing Machine

Shipping weight crated: 300 lbs.

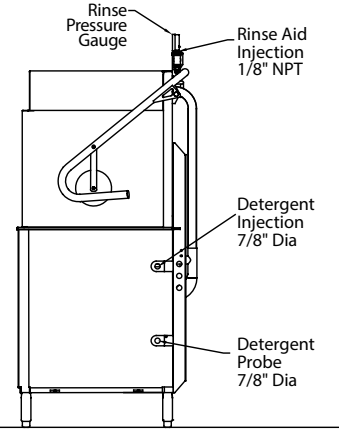
Dimensions shown in inches and [mm]



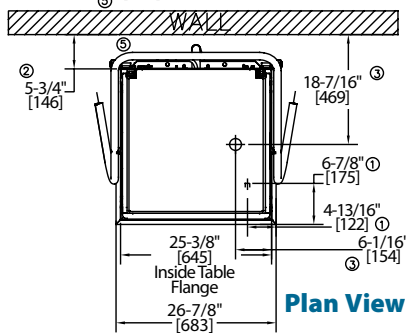
Side View



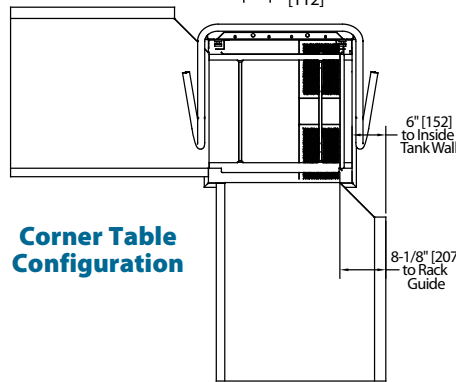
Front View



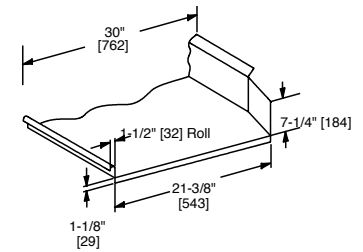
Side View



Plan View



Corner Table Configuration



Typical Table Construction

UTILITIES

- 1 Electrical** Machine Connection (See Electrical Box)
- 2 Hot Water** 3/4" NPT Hot Water 110° - 140°F 45 PSI dynamic min. incoming Final rinse 18 PSI
- 3 Drain** 1" NPT Connection Gravity flow, 15 GRM max flow
- 4 Drain Water Tempering** 1/2" Cold water line with customer supplied cut-off valve (optional)
- 5 Integrated Detergent System** Detergent bottle supply connections (optional)

Warning: Plumbing, electrical connections should be made by qualified personnel who will observe all the applicable plumbing, sanitary and safety codes and the National Electrical Code.

Note: Optional Drain Tempering: 1/2" NPT cold water connection required. 1/2" NPT drain connection from back flow preventer to house drain. (FIELD INSTALLED and PLUMBED). Due to an ongoing value analysis program at Champion, specifications contained in this catalog are subject to change without notice.

Champion Industries, Inc.,
3765 Champion Blvd., NC 27105
336/661-1556 • Fax: 336/661-1979
ChampionIndustries.com

Machine & Built-in Booster (Standard)

Voltage	Rated Amps	Minimum Supply Circuit Ampacity	Maximum Overcurrent Protective Device
208-240/60/1	77-68	100	100
208-240/60/3	46-41	60	60
480/60/3	20	30	30

Machine Only (two point electrical connection or no built-in booster)

Voltage	Rated Amps	Minimum Supply Circuit Ampacity	Maximum Overcurrent Protective Device
208-240/60/1	38-34	50	50
208-240/60/3	25-23	30	30
480/60/3	11	15	15

Booster Only (two point electrical connection)

Voltage	Rated Amps	Minimum Supply Circuit Ampacity	Maximum Overcurrent Protective Device
208-240/60/1	39-34	50	50
208-240/60/3	21-18	25	25
480/60/3	9	15	15

Note: Water Hammer Arrestor (meeting ASSE-1010 standard or equivalent) to be supplied (by others) in common water supply line at service connection. Recommended water hardness to be 3 grains or less for optimal performance results.

SPECIFICATIONS

Capacities		Racks per hr. (NSF rated)	60
		Wash tank (gal.)	10
Motor horsepower			2 HP
Water consumption		Gal. per hr. (max. use)	39
		Gal. per rack	0.73
Temperature °F		Wash	150
		Rinse	180
Heating		Tank heat, electric	5.2 kW
		Electric Booster	7.5 kW

Selectable cycle times in minutes	Dish-washer Mode				Pot & Pan Mode			
	1	2	4	6	1	2	4	6
Time cycles in seconds								
Wash	36	94	214	334				
Rinse	8	10	10	10				
Sanitary Dwell	16	16	16	16				
Total	60	120	240	360				

an Ali Group Company



The Spirit of Excellence