

Champion[®]

The Dishwashing Machine Specialists

Project _____
Item No. _____
Quantity _____

STANDARD FEATURES

- **Factory authorized startup**
- **Ventless Heat Recovery**
- **HMI – Operator Touch Screen Interface**
- **On-Board Service Diagnostics**
- **Field Convertible – single to three, or three to single phase**
- **Sleep Programable - All internal heaters shut off after selected time is reached**
- **Door Interlock – locks door closed during cycle**
- Auto delime with delime notification
- Built-in booster configured to ensure 180° rinse
- Field convertible from straight to corner operation
- Dual NSF listed as both a dishwasher and potwasher
- Rinse Sentry – ensures 180°F final rinse
- Cycle counter
- Auto start – starts unit when hood is closed
- Single or dual point electrical connection
- High efficiency 2 HP pump
- Self draining pump
- Automatic tank fill
- Automatic drain valve – drains wash tank when power is off
- PRV (Mounted Pressure Reducing Valve)
- 4 selectable cycles
- 27" [686mm] extended clearance

DH-6000T

with Ventless Heat-Recovery and
Condensate Removal

*Ventless
Heat Recovery
Condensate
Removal*



DH-6000T WITH HEAT RECOVERY

Photo is for general visual representation only. Please refer to specifications for the latest detailed product information.



OPTIONS & ACCESSORIES

- NEW** Built in detergent and rinse aid pumps
- Drain Water Tempering Kit (unmounted)
- Racks
 - Peg
 - Flat
- Corner operation splash baffle
- NEW** Champion ION scale prevention system

SPECIFIER STATEMENT

Specified unit will be Champion model DH-6000T with Ventless Heat-Recovery and Condensate Removal, high temperature, high-hood type dishwashing machine. Features HMI controls, Rinse Sentry, Auto Start, up to 40 racks/hour, 0.73 US gals/rack [2.76 liters/rack, 0.61 imp. gals/rack].

1 year parts and labor warranty.

Champion Industries, Inc.
3765 Champion Blvd., Winston-Salem, NC 27105
Tel: 336/661-1556 Fax: 336/661-1979

2674 N. Service Road
Jordan Station, Ontario, Canada L0R 1S0
Tel: 800/263-5798 Fax: 905/562-4618

www.ChampionIndustries.com

DH-6000T

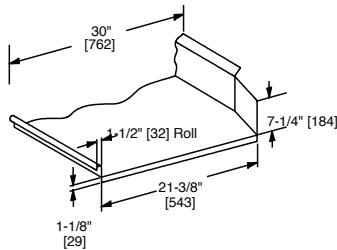
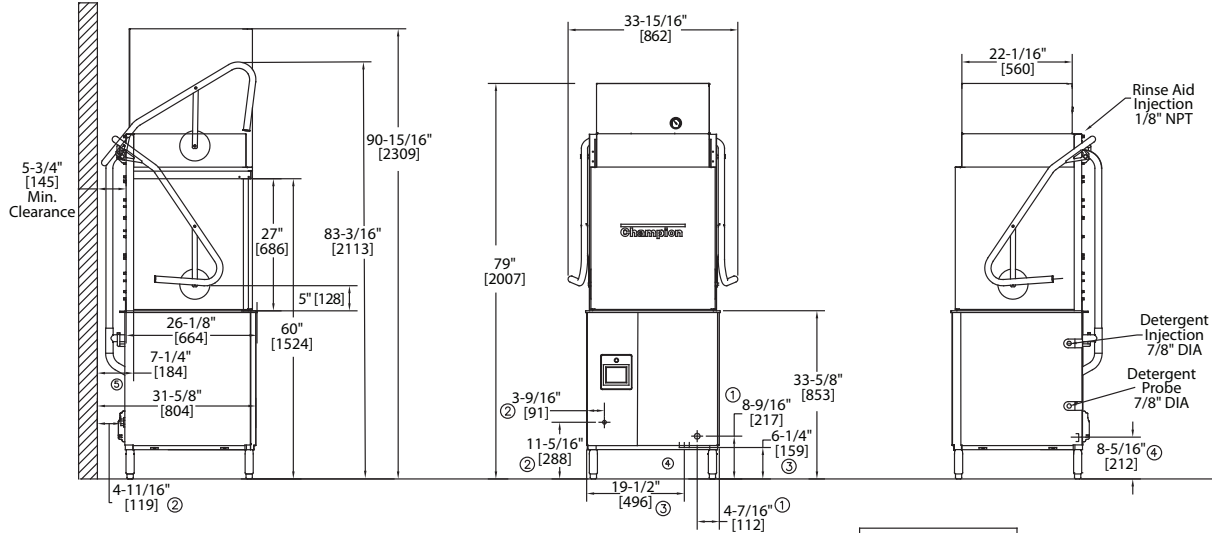
with Ventless Heat-Recovery
and Condensate Removal

Shipping weight crated: 350 lbs.

Champion®

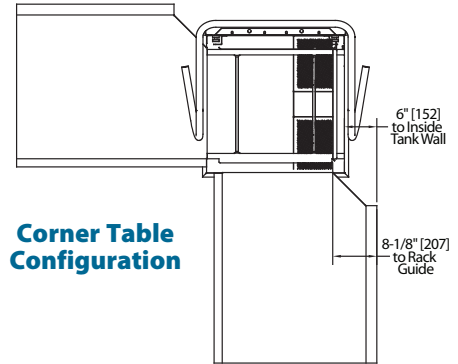
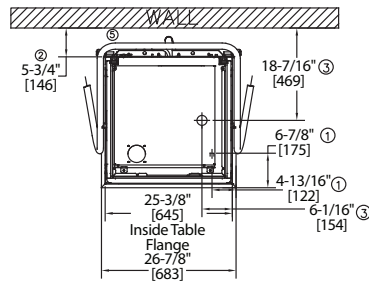
The Dishwashing Machine Specialists

Dimensions shown in inches and [mm]



Typical Table Construction

Plan View



Corner Table Configuration

UTILITIES

- 1 Electrical Machine Connection** (See Electrical Box)
- 2 Cold Water** 3/4" NPT Cold Water 50° - 75°F 45 PSI dynamic min. incoming Final rinse 18 PSI
- 3 Drain** 1" NPT Connection Gravity flow, 15 GPM max flow
- 4 Drain Water Tempering** 1/2" Cold water line with customer supplied cut-off valve (optional)
- 5 Integrated Detergent System** Detergent bottle supply connections (optional)

Warning: Plumbing, electrical connections should be made by qualified personnel who will observe all the applicable plumbing, sanitary and safety codes and the National Electrical Code.

Note: Optional Drain Tempering: 1/2" NPT cold water connection required. 1/2" NPT drain connection from back flow preventer to house drain. (FIELD INSTALLED and PLUMBED). Due to an ongoing value analysis program at Champion, specifications contained in this catalog are subject to change without notice.

Champion Industries, Inc.,
3765 Champion Blvd., NC 27105
336/661-1556 • Fax: 336/661-1979
ChampionIndustries.com

Machine & Built-in Booster (Standard)

Voltage	Rated Amps	Minimum Supply Circuit Ampacity	Maximum Overcurrent Protective Device
208-240/60/1	77-68	100	100
208-240/60/3	46-41	60	60
480/60/3	20	30	30

Machine Only

(two point electrical connection or no built-in booster)

Voltage	Rated Amps	Minimum Supply Circuit Ampacity	Maximum Overcurrent Protective Device
208-240/60/1	38-34	50	50
208-240/60/3	25-23	30	30
480/60/3	11	15	15

Booster Only (two point electrical connection)

Voltage	Rated Amps	Minimum Supply Circuit Ampacity	Maximum Overcurrent Protective Device
208-240/60/1	39-34	50	50
208-240/60/3	21-18	25	25
480/60/3	9	15	15

Note: Water Hammer Arrestor (meeting ASSE-1010 standard or equivalent) to be supplied (by others) in common water supply line at service connection.

SPECIFICATIONS

Capacities

Racks per hr. (NSF rated)	40
Wash tank (gal.)	10

Motor horsepower

2 HP

Water consumption

Gal. per hr.	29
Gal. per rack	0.73

Temperature °F

Wash	150
Rinse	180

Heating

Tank heat, electric	5.2 kW
Electric Booster	7.5 kW

Selectable cycle times in minutes	Dish-washer Mode		Pot & Pan Mode	
	1	2	4	6
Time cycles in seconds				
Wash	36	94	214	334
Rinse	8	10	10	10
Sanitary Dwell	16	16	16	16
Vent Fan	30	30	30	30
Total	90	150	270	390

an Ali Group Company



The Spirit of Excellence