

Technical data sheet for

## E23D3 ON THE SK23 STAND

Half Size Digital / Electric Convection Oven  
on a Stainless Steel Stand



### E23D3

Unit shall be a Moffat electrically heated Turbofan convection oven E.T.L. listed and NSF-4 listed. The oven shall have a one piece porcelain enameled oven chamber, stainless top and sides and safe touch vented easy clean drop down door. Oven shall have capacity for three half size sheet pans. The oven shall have 2.8kW heating elements for 220-240V models or 2.5kW heating elements for 208V models. The oven shall have a bi-directional single reversing fan system and feature a single halogen oven lamp. The oven shall be controlled by an electronic control having separate digital displays and adjusting knobs for time and temperature functions. The oven control shall allow both manual and programmed operating modes with programmable steam injection and 3 stage cooking. Oven shall be able to be bench mounted on 3" / 76mm feet or mounted on oven stand model SK23. Oven shall be fitted with a NEMA 6-15P cordset. Unit shall be supplied in 100% recyclable shipping packaging.

### SK23

Unit shall be a Moffat Turbofan stainless steel oven stand NSF-4 listed. The stand shall be constructed from stainless steel tube with castors, with front castors having dual swivel and wheel locks. It shall be fitted with 6 tray runners suitable for half size sheet pans. The stand shall be fully compatible with, and support, Turbofan Convection Oven models E22 and E23. Unit shall be supplied in 100% recyclable shipping packaging.

### STANDARD FEATURES

- 3 half size sheet pan capacity
- 3½" / 85mm tray spacing
- Compact 24" / 610mm width
- Digital display Time and Temperature controls
- Large easy view ¾" / 20mm high displays
- Electronic thermostat control
- Electronic timer
- Manual mode and Program mode
- 20 programs with 3 stage cooking and stage end alarms
- Steam injection mode and manual injection
- Bi-directional reversing fan system
- 2.8kW heating (220-240V) / 2.5kW heating (208V)
- 15A plug-in (NEMA 6-15P cordset fitted)
- Porcelain enameled oven chamber
- Plug-in continuous oven door seal
- Safe-Touch vented drop down door
- Stay-Cool door handle
- Heavy-duty door hinges
- Easy clean door glass system
- Halogen oven lamp
- Dia. 7" / 180mm full stainless steel oven fan
- Anti-skid 2" / 50mm dia. 3" / 76mm high adjustable stainless steel feet
- 3 oven wire racks supplied
- 100% recyclable packaging

### ACCESSORIES

- Turbofan SK23 Oven Stand

#### E23D3 Half Size Digital / Electric Convection Oven on a Stainless Steel Stand

##### CONSTRUCTION

Porcelain enameled fully welded oven chamber  
Stainless steel front, sides and top exterior  
Stainless steel oven fan baffle and oven vent  
Removable 3 position chrome plated wire side racks  
Oven racks chrome plated wire (3 supplied)  
Stainless steel frame drop down hinged door  
0.2" / 5mm thick door outer glass  
0.2" / 5mm thick low energy loss door inner glass  
Heavy-duty counterbalanced door hinges  
Wear resistant powder coated welded door handle  
Stainless steel control panel  
Aluminized coated steel base and rear panels

##### CONTROLS

Electronic controls with Digital Time and Temperature display,  
Manual or Program modes  
Large 20mm high LED displays  
Two individual time and temperature setting control knobs  
ON/OFF and Oven Lights key  
Timer Start/Stop key  
Steam injection key  
Programs select key  
Actual temperature display key  
Adjustable buzzer/alarm volume  
Thermostat range 150-500°F / 50-260°C  
Timer range from 180 minutes in countdown mode  
Timer range up to 999 minutes in time count mode for holding, slow cooking  
Over-temperature safety cut-out

##### CLEANING

Stainless steel top and sides continuous exterior panel  
Porcelain enameled oven chamber  
Fully removable chrome plated oven side racks  
Removable stainless steel oven fan baffle  
Full stainless steel oven fan  
Easy clean door system with hinge out door inner glass (no tools required)  
Removable plug-in oven door seal (no tools required)  
3" / 76mm high stainless steel feet for easy access underside

##### SPECIFICATIONS

Electrical Requirements  
208V, 50/60Hz, 1-phase, 2.7kW, 13A  
220-240V, 50/60Hz, 1-phase, 3.0kW, 12A  
NEMA 6-15P cordset fitted

Water Requirements (optional)  
Cold water connection ¾" GHT male  
80psi maximum inlet pressure / 20psi minimum inlet pressure



##### External Dimensions

Width 24" / 610mm  
Height 23 7/8" / 607mm including 3" / 76mm feet  
Depth 25 1/4" / 642mm

##### Oven Internal Dimensions

Width 19 1/2" / 495mm  
Height 12" / 305mm  
Depth 13 3/8" / 340mm  
Volume 1.8ft³ / 0.51m³

##### Oven Rack Dimensions

Width 18" / 460mm  
Depth 13" / 330mm

##### Nett Weight (E23D3)

94lbs / 42.4kg

##### Packing Data (E23D3)

120lbs / 54.6kg  
12 ft³ / 0.34m³

Width 29 1/2" / 750mm

Height 27 3/4" / 705mm

Depth 25" / 635mm

#### SK23 Stainless Steel Stand

All stainless steel welded frame oven stand for Turbofan E22 and E23 Series ovens  
6 position tray runners standard  
3" / 76mm diameter wheel swivel castors standard with 2 front castors with dual swivel and wheel  
Welded 1 1/2" and 1 1/4" square tube front and rear frames  
Welded rack supports/side frames  
4 dia. 3" / 76mm swivel castors with 2 front castors dual wheel and swivel lock  
Top frame oven supports suit Turbofan E22 and E23 Series Oven mounting  
Supplied CKD for assembly on site

##### External Dimensions (SK23 Oven Stand)

Width 24" / 610mm  
Height 34 5/8" / 880mm  
Depth 20 7/8" / 530mm

##### Nett Weight (SK23 Oven Stand)

35lbs / 16kg

##### Packing Data (SK23 Oven Stand)

40lbs / 18kg  
3.2ft³ / 0.09m³  
Width 24 7/8" / 630mm  
Height 35 1/2" / 900mm  
Depth 6" / 152mm

##### INSTALLATION CLEARANCES

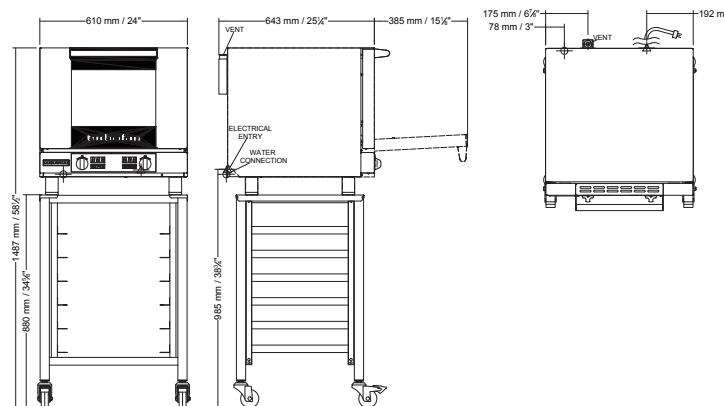
Rear 1" / 25mm

LH Side 1" / 25mm

RH Side 1" / 25mm

##### CLEARANCE FROM SOURCES OF HEAT

A minimum distance of 12" / 300mm from the appliance sides is required



www.moffatusa.com  
www.turbofanoven.com

U.S.A.

Moffat Inc  
3760 Industrial Drive, Suite B  
Winston-Salem  
NC 27105-2637  
Ph Toll Free 1-800-551 8795  
Ph 336-661 0257  
Fax 336-661 9546  
Email sales@moffat.com  
www.moffatusa.com

Manufactured by:  
Moffat Limited  
45 Illinois Drive, Izone Business Hub  
Rolleston 7675, New Zealand



Designed and manufactured by  
**MOFFAT**

##### ISO9001

All Turbofan products are designed and manufactured by Moffat using the internationally recognised ISO9001 quality management system, covering design, manufacture and final inspection, ensuring consistent high quality at all times.

In line with policy to continually develop and improve its products, Moffat Limited reserves the right to change specifications and design without notice.

© Copyright Moffat Ltd  
US.TFN.S.1701

an Ali Group Company



The Spirit of Excellence