



Project _____
 Item # _____
 Quantity _____

SPECTRUM Electric Drop-in Induction Cookers

Models: EIDS-18 | EIDS-18C | EIDS-34

Safer than traditional gas or electric resistance burners, induction cooktops use magnetism to rapidly heat up induction cookware, which in turn heats up food. The ideal choice for tableside, catering and buffet-line cooking, induction cooktops are faster and more efficient than installed gas stovetops.

Standard Features

- ◆ Powder coated painted steel body construction
- ◆ Compact drop in counter design that can be flush, recessed, stainless steel trim ring mounted
- ◆ Easy to use digitally control with ten (10) power wattage levels from warming to cooking for optimal cooking efficiency, control and speed
- ◆ 1800 Watt models: 100-1800W
- ◆ 3400 Watt models: 500-3400W
- ◆ Remote control panel provided with 36" (915mm) quick-connect cord
- ◆ High-impact and high-heat resistant glass-ceramic cooking surface
- ◆ Accommodates pan sizes between 4-1/2" (114 mm) to 10-1/2" (267mm)
- ◆ Small-article and pan detection
- ◆ Timer up to 150 min (2-1/2 hours)
- ◆ Auto safety shut-off
- ◆ ETL listed for safety and sanitation
- ◆ One year parts and labor warranty



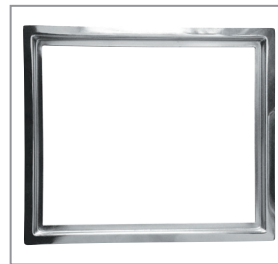
EIDS-18
For U.S. only



EIDS-18C
For Canada only



EIDS-34
For U.S. and Canada



EIDS-TR

Accessories and Options

EIDS-TR Stainless Steel Trim Ring

INDUCTION READY COOKWARE

Winco Tri-Gen Induction Cookware

Winco Premium Stainless Steel Cookware

Winco Induction Ready Aluminum Cookware

Winco Fire Iron Cast Iron Enameled and Pre-Seasoned Cookware

For California Customers

WARNING: Cancer and Reproductive Harm - www.P65Warnings.ca.gov

Winco®, DWL International Trading, LLC

New Jersey Headquarters:
 65 Industrial Road, Lodi, NJ 07644
 Tel. 1.888.946.2682 | Fax: 1.888.946.2632

California Distribution Center
 14950-14952 Valley View Avenue, La Mirada, CA 90638
 Tel. 1.888.946.2652 | Fax: 1.562.926.5678

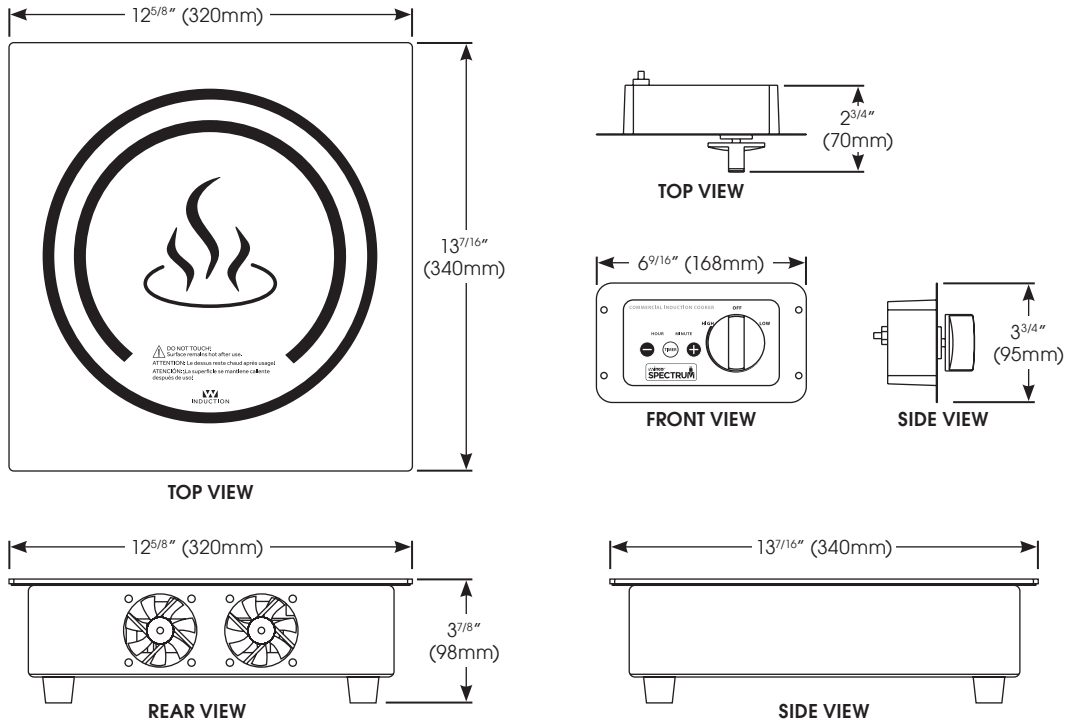
www.wincous.com | equipsales@wincous.com

Florida Distribution Center
 10800 NW 103rd St. Bldg 22, Ste 11, Miami, FL 33178
 Tel. 1.786.536.4656



Electric Drop-in Induction Cookers

Model: EIDS-18 | EIDS-18C | EIDS-34

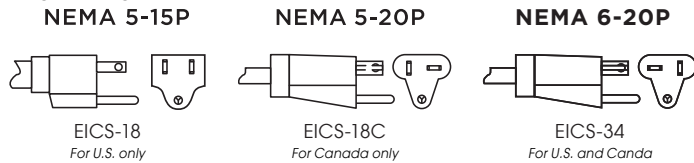


MODEL	DESCRIPTION	OVERALL DIMENSIONS			VOLTS	HZ	WATTS	AMPS	PLUG	SHIP WEIGHT
		LENGTH	DEPTH	HEIGHT						
EIDS-18	Induction Cooker	12-5/8" (320mm)	13-7/16" (340mm)	3-7/8" (98mm)	120V	60 Hz	1800W	15A	NEMA 5-15P	27.7 lbs (12.56 kgs)
EIDS-18C					120V	60 Hz	1800W	15A	NEMA 5-20P	
EIDS-34					240V	60 Hz	3400W	15A	NEMA 6-20P	

Cord Location

Power cord - Rear right bottom
 Control panel cord - Front center bottom

Plug Configurations



Product Specs

Electric Drop-in Induction Cookers

The Electric Drop-in Induction Cookers models EIDS-18, EIDS-18C and EIDS-34 as manufactured by Winco®, Lodi, NJ 07644

The Electric Drop-in Induction Cooker model EIDS-18 shall be rated at 1800 Watts, 120V~60Hz/1 and supplied with a NEMA 5-15P plug, model EIDS-18C shall be rated at 1800 Watts, 120V~60Hz/1 and supplied with a NEMA 5-20P plug, and model EIDS-34 shall be rated at 3400 Watts, 240V~60Hz/1 and supplied with a NEMA 6-20P plug. Units shall be constructed with a powder coated painted steel body and be a compact drop in counter design that can be flush, recessed, stainless steel trim ring mounted. Unit shall be equipped with easy to use digitally control ten (10) power wattage levels from warming to cooking for optimal cooking efficiency, control and speed (1800 Watt models range 100-1800W, 3400 Watt models range 500-3400W), and provided with a remote control panel provided with 36" (915mm) quick-connect cord, high-impact and high-heat resistant glass-ceramic cooking surface, accommodate pan sizes between 4-1/2" (114 mm) to 10-1/2" (267mm), small-article and pan detection, timer up to 150 min (2-1/2 hours), auto safety shut-off.

ETL listed for safety and sanitation.

Warranty consists of one year parts and labor.

Winco®, DWL International Trading, LLC

www.wincous.com | equipsales@wincous.com

New Jersey Headquarters:
 65 Industrial Road, Lodi, NJ 07644
 Tel. 1.888.946.2682 | Fax: 1.888.946.2632

California Distribution Center
 14950-14952 Valley View Avenue, La Mirada, CA 90638
 Tel. 1.888.946.2652 | Fax: 1.562.926.5678

Florida Distribution Center
 10800 NW 103rd St. Bldg 22, Ste 11, Miami, FL 33178
 Tel. 1.786.536.4656