

Glastender®

A family company manufacturing in the USA

www.glastender.com



F1SB48
stainless steel doors,
and stainless steel top



Intertek

EP 5016978
Energy Performance
Verified / Rendement
Énergétique Vérifié



Intertek

4004503
Conforms to
NSF/ANSI STD 7
and UL STD 471

Certified to
CSA STD C22.2 No. 120



Intertek



Capable of storing
specialty cocktail ice

Standard Features

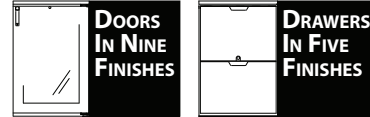
- Self-contained
- Stainless steel interior
- Locking door(s)
- LED interior lighting
- Two defrost cycles
- Automatic condensate evaporator
- Heated cabinet front to minimize condensation
- Three adjustable, coated-wire shelves

Project: _____	AIA# _____
Item #: _____ Qty: _____	SIS# _____
Model #: _____	

Frosters, One Zone, Side Serviced, Bar Profile

F1SB F1SB24, F1SB28, F1FL36, F1SB44, F1SB48

CONFIGURATION HIGHLIGHTS



Configurable Options

Refrigeration Compartment

Location:

- Left or Right

Refrigeration Compartment

Cover Finish:

- Black vinyl-clad
- Stainless steel
- Jeweled stainless
- Laminated
- Unlaminated

Door Style & Finish:

- Black vinyl-clad
- Stainless steel
- Jeweled stainless
- Laminated
- Unlaminated
- Glass, black vinyl-clad
- Glass, stainless steel
- Glass, jeweled stainless
- Glass, laminated

Drawer Style & Finish:

- Black vinyl-clad
- Stainless steel
- Jeweled stainless
- Laminated
- Unlaminated

Door Hinge Location

- Left or Right

Door Handle:

- Signature (drawers excluded)
- Pull-tab
- Tube

Top Style:

- No finished top
- Stainless top
- Laminated top

Left and Right Side Finish:

- Black vinyl-clad
- Stainless steel
- Laminated

Back Finish:

- Galvanized steel
- Stainless steel

LED Lighting Style:

- Bright white (7,000k)
- Warm white (3,500k)
- Amber (2,700k)
- Blue

Glastender, Inc. • 5400 N Michigan Rd • Saginaw, MI • 48604-9780
989.752.4275 • 800.748.0423 • Fax 989.752.4444
www.glastender.com

Approval/Notes:

Specifications subject to change without notice. For current specifications please visit our website.

Frosters - One Zone, Front Serviced, Low Profile

Specifications

		F1SB24	F1SB28	F1SB36	F1SB44	F1SB48
Dimensions	Length	24"	28"	36"	44"	48"
	Number of Sections	1	1	2	2	2
	Door Opening	17.5"	20"	12"	16"	18"
Electrical	Electrical Supply	120V, 1 phase, 60 Hz, dedicated 15A circuit required				
	Full Load Amps	5.0				
	Plug Type	8 foot NEMA 5-15P grounded cord and plug which exits the back of refrigeration compartment				
Refrigeration	Refrigerant	R290 refrigerant - 130 grams, 4.59 oz, 0.29 pounds				
	Compressor	Reciprocating, 1/3 HP, 1300 BTUH, 0.11 Tons				
	Heat Rejection	2048 BTUH				
Operating Range		12°F (-11°C) to 35°F (2°C)				
Plumbing		Automatic condensate evaporator; no drain connection required				
Weight Bearing Capacity		Countertops and other accessories should not exceed 500 pounds per door				

Materials

- Stainless steel parts include: exterior sub-top, interior, front of cabinet, hinges, hinge and lock brackets, and optional legs
- Black vinyl-clad steel parts include: standard sides, doors and compressor cover
- Galvanized steel parts include: back and bottom
- Zinc plated CR steel parts include: leg sockets

Refrigeration

- Fin & tube evaporator with forced air circulation
- Equipped with manual fast freeze mode that accelerates the freezing process and automatically reverts back to the normal operating mode



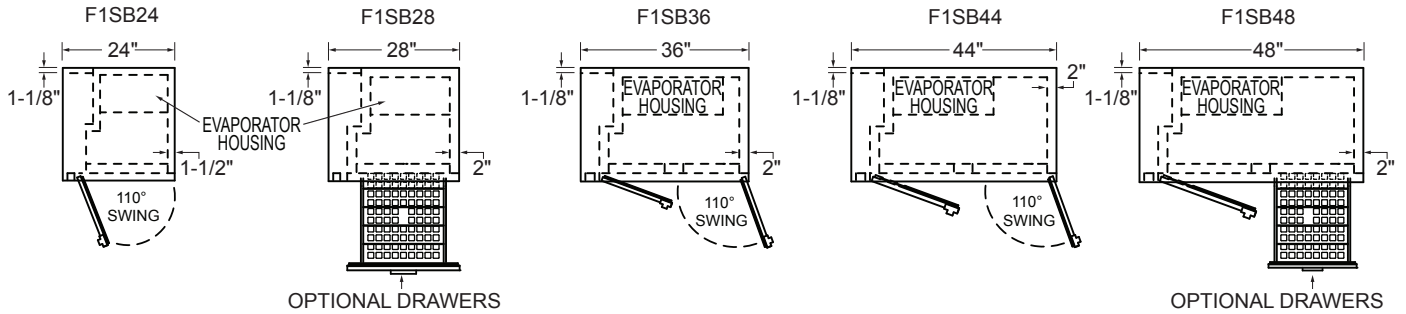
Capacities

	F1SB24	F1SB28	F1SB36	F1SB44	F1SB48
10 oz. Mugs	132	160	223	299	339
6" High Pint Glasses	97	100	155	200	214

Frosters - One Zone, Side Serviced, Bar Profile

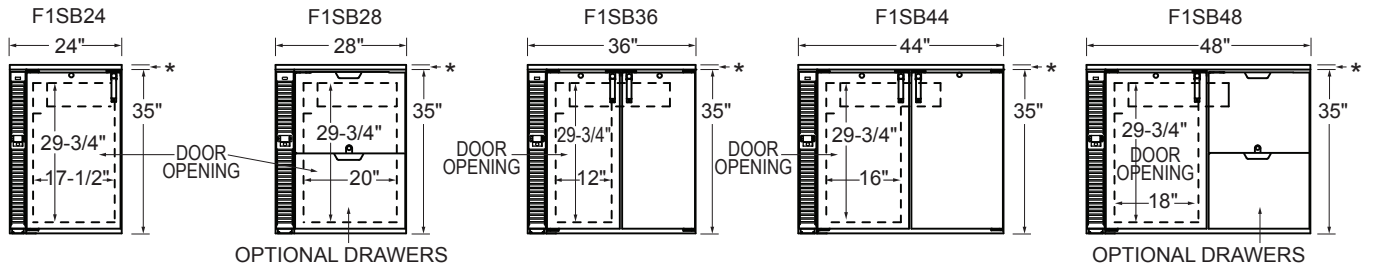
Drawings

PLAN VIEWS



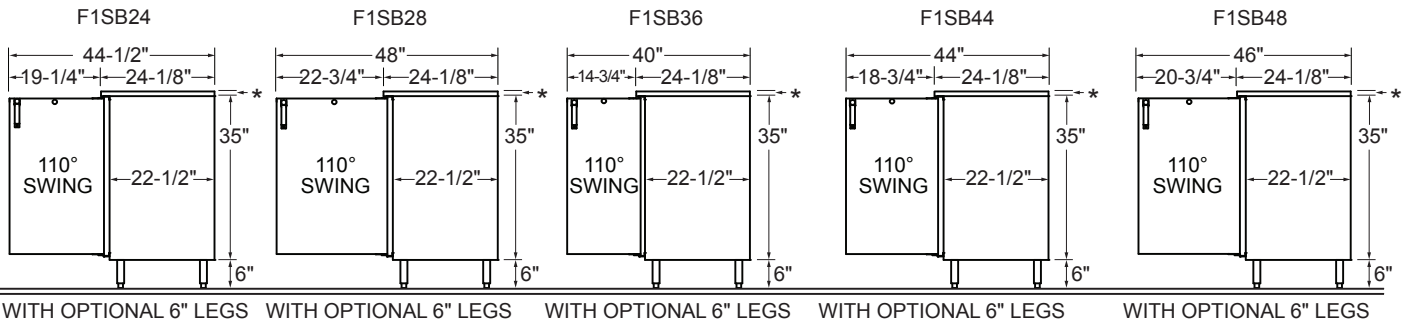
FRONT VIEWS

*ADD 1" HEIGHT TO TOP FOR FACTORY INSTALLED TOP



SIDE VIEWS

*ADD 1" HEIGHT TO TOP FOR FACTORY INSTALLED TOP



SIDE VIEWS

OPTIONAL LEGS AND CASTERS

