



SERVING THE FOOD INDUSTRY SINCE 1951



REACH-IN SINGLE DOOR FREEZER

Items: 59023 | Model: FR-CN-0737E-HC

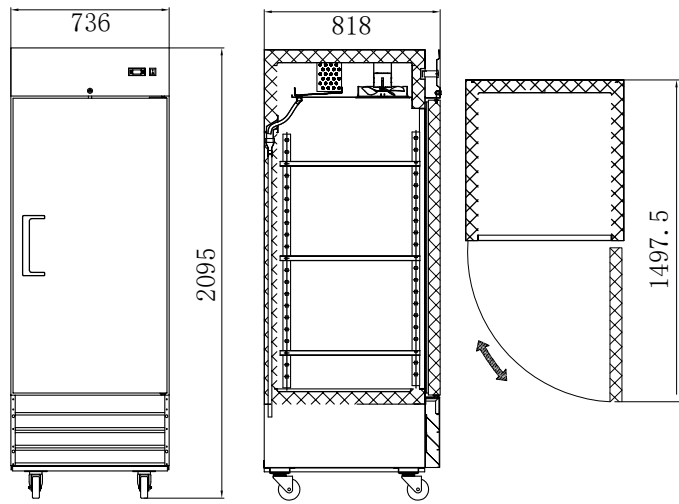


KEEP YOUR FOOD AND INGREDIENTS FROZEN AND READY TO USE WITH OMCAN'S REACH-IN FREEZER

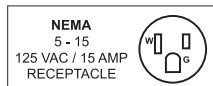
TECHNICAL SPECIFICATIONS

Item	59023
Model	FR-CN-0737E-HC
Electrical	115V / 60Hz / 1Ph
Amps & HP	7.1 Amps 1/2 HP
Capacity	583 L 20.6 cu. ft.
Shelf Capacity	88.2 lbs 40 kg
Number of Shelves	3
Temperature Range	-22 to -18 °C -7.6 to -0.4 °F
Max Ambient Temp Rating	38 °C 100.4 °F
Refrigerant & Cooling System	R290 Ventilated
Net Weight	282.2 lbs 128 kg
Gross Weight	346.2 lbs 157 kg
Interior Dimensions	24.4" x 27.1" x 53.5"
Dimensions (WDH)	29" x 32.2" x 82.5"
Gross Dimensions	30.3" x 34.6" x 84.4"

TECHNICAL DRAWINGS & DIMENSIONS



*measurements in diagrams are in mm



Authorized Dealer