



**FOOD EQUIPMENT**

**SERVING THE FOOD INDUSTRY SINCE 1951**

# 58-INCH STAINLESS STEEL ELECTRIC OPEN WELL HOT FOOD TABLE WITH 4 PANS CAPACITY, CUTTING BOARD AND UNDERSHELF

**Item: 46647 Model: FW-CN-0004-DH**

**KEEP YOUR HOT FOODS  
READILY AVAILABLE AT  
SAFE TEMPERATURE**

*Perfect for buffet and catering services, Omcan's 58-inch Stainless Steel Electric Open Well Hot Food Table with Cutting Board and Undershef is designed to keep your hot foods readily available at safe temperature. With a durable stainless steel construction, this food warmer has a convenient undershef where you could store extra serving utensils, food pans, or any other kitchen tools that you need, as well as a polycarbonate cutting board as an extra work space in case you need to fill out food pans or plates.*



*Pans not included.*



**WARRANTY**  
PARTS AND LABOR



SHIPPED ON PALLET



Authorized Dealer

### TECHNICAL SPECIFICATIONS

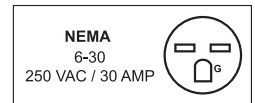
ITEM NUMBER	46647
MODEL	FW-CN-0005-DH
MAX. TEMPERATURE	Approximately 212°F / 100°C
POWER	3000W   4000W
ELECTRICAL	208V   240V / 60Hz / 1Ph
AMPS	14.42   16.66
MATERIAL	Stainless Steel
CUTTING BOARD MATERIAL	Polyethylene
NUMBER OF PANS	4 (Pans not included)
PAN SIZE	20.78" x 12.8" x 6" (full size)
UNDERSHELF SIZE	56" x 18" x 2"   1414 x 462 x 50 mm
CUTTING BOARD SIZE	58" x 7.9" x 0.5"   1475 x 200 x 12 mm
DIMENSIONS (WDH)	58" x 30" x 34"   1475 x 772 x 870 mm
GROSS DIMENSIONS	61" x 25" x 20"   1560 x 640 x 520 mm
WEIGHT	58kg.   128lbs.
GROSS WEIGHT	75kg.   165lbs.

### FEATURES

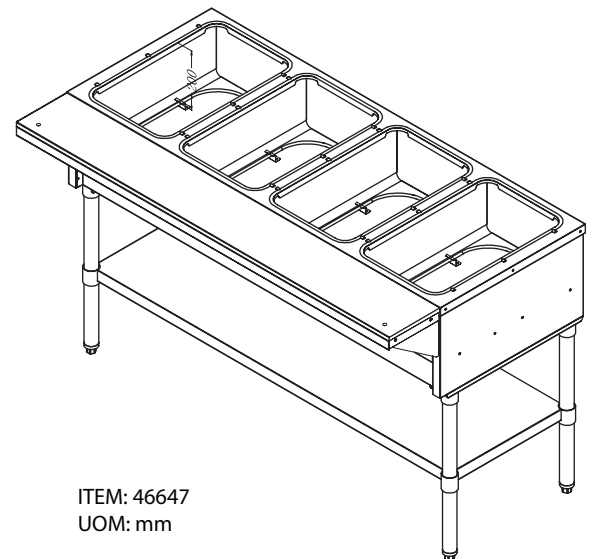
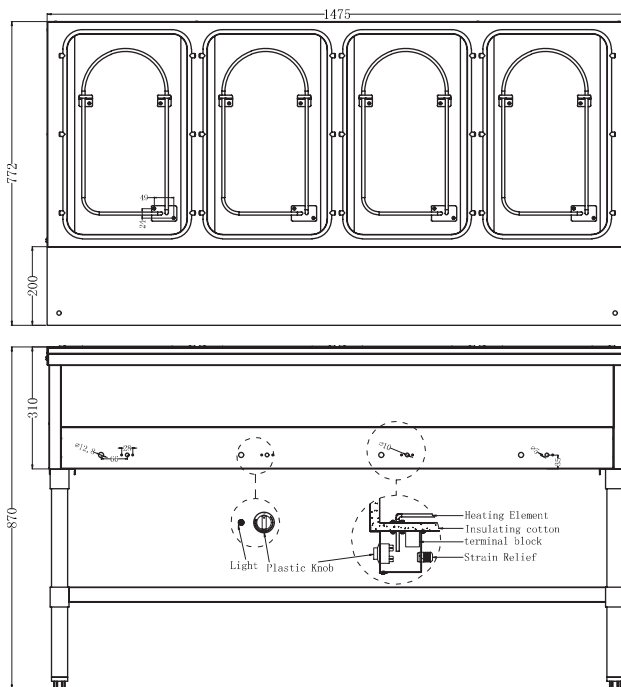
- Stainless steel structure with individual control
- Adjustable stainless steel undershelf and removable Polyethylene cutting board
- Adjustable stainless steel feet
- Stainless steel heating element
- 4 independent infinite controls
- Pans not included

### OPTIONAL ACCESSORIES

- Full Size Pan (Item 80259)
- Spillage Pan (Item 80907)



### TECHNICAL DRAWINGS AND DIMENSIONS



ITEM: 46647  
UOM: mm

### OMCAN INC.

Telephone: 1-800-465-0234  
 Fax: (905) 607-0234  
 Email: sales@omcan.com  
 Website: www.omcan.com



Follow us to keep up to date with the latest news and offers

