



**FOOD EQUIPMENT**

*SERVING THE FOOD INDUSTRY SINCE 1951*

## **FULL SERVICE HEATED DISPLAY CASES**

**ITEM: 43120 MODEL: FW-CN-0066-C | ITEM: 43121 MODEL: FW-CN-0100-C**

*Increase impulse sales by displaying your food products for extended periods of time*

- Interior lighting and curved glass for maximum visibility
- Perfect option for delis, grocery stores, and cafes



**WARRANTY**  
PARTS AND LABOR



Authorized Dealer

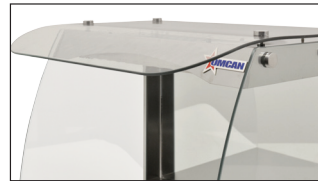
# FOOD EQUIPMENT

SINGLE-SHELF FULL SERVICE HEATED DISPLAY CASE



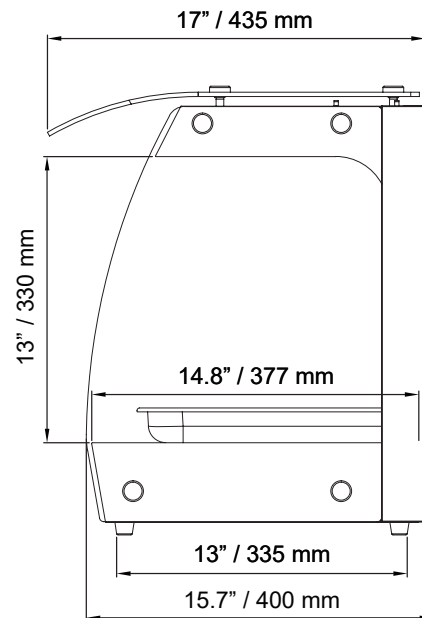
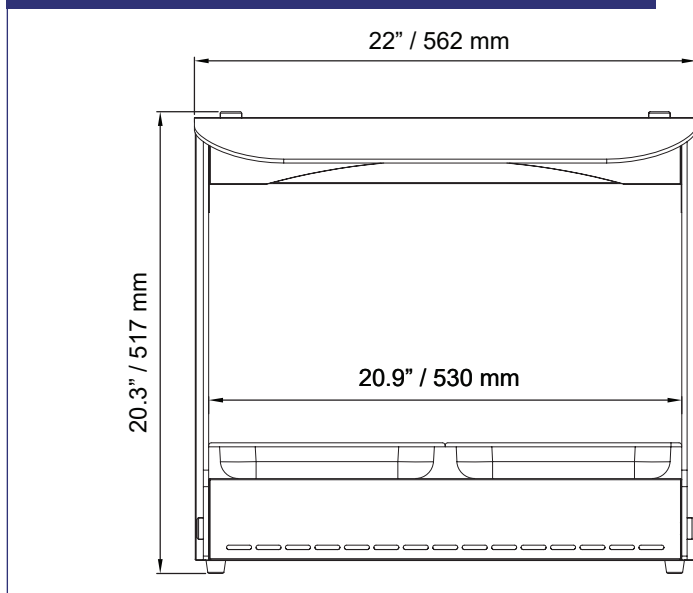
## TECHNICAL SPECIFICATIONS

ITEM NUMBER	43120
MODEL	FW-CN-0066-C
TEMPERATURE RANGE	30° - 85°C / 86° - 185°F
STORAGE VOLUME	66 L / 2.33 cu. ft.
RATED CURRENT	4.5 amps
RATED INPUT POWER	520 Watts
GRADE OF WATERPROOF	IPX4
ELECTRICAL	110V / 60Hz / 1Ph
NET WEIGHT	39.16 lbs. / 18.1 kg.
GROSS WEIGHT	44 lbs. / 20 kg.
DIMENSIONS (DWH)	17" x 22" x 20.3" 435 x 562 x 517 mm
GROSS DIMENSIONS	19.68" x 24.60" x 22" 500 x 625 x 560 mm



NEMA  
5 - 15  
125 VAC / 15 AMP

## TECHNICAL DRAWING AND DIMENSIONS



## OMCAN INC.

Telephone: 1-800-465-0234  
 Fax: (905) 607-0234  
 Email: sales@omcan.com  
 Website: www.omcan.com



Follow us to keep up to date with the latest news and offers



# FOOD EQUIPMENT

TWO-SHELF FULL SERVICE HEATED DISPLAY CASE



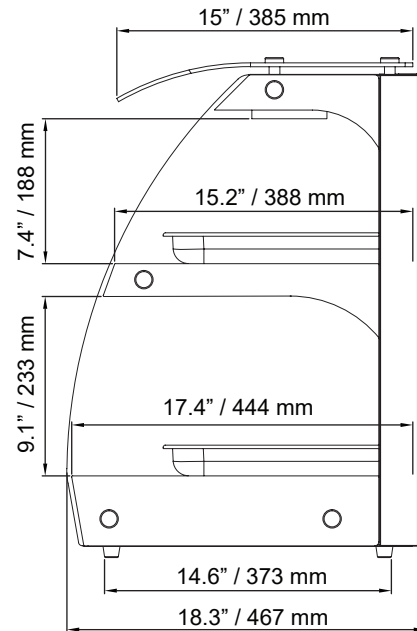
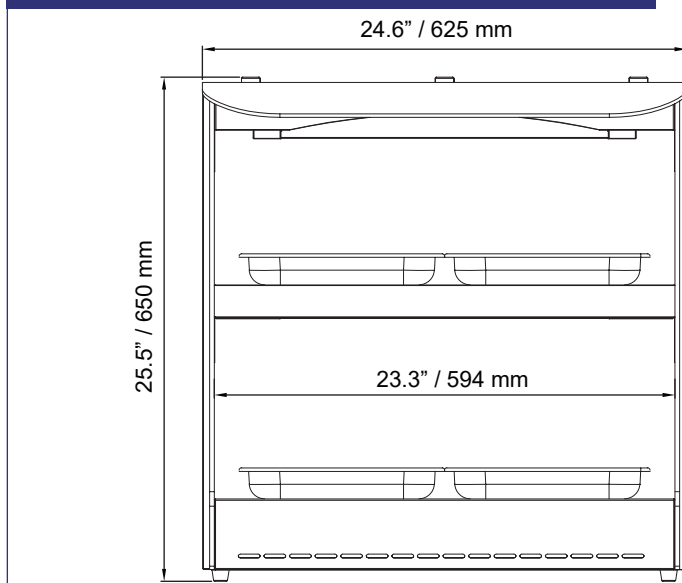
## TECHNICAL SPECIFICATIONS

ITEM NUMBER	43121
MODEL	FW-CN-0100-C
TEMPERATURE RANGE	30° - 85°C / 86° - 185°F
STORAGE VOLUME	100 L / 3.53 cu. ft.
RATED CURRENT	4.7 amps
RATED INPUT POWER	550 Watts
GRADE OF WATERPROOF	IPX4
ELECTRICAL	110V / 60Hz / 1Ph
NET WEIGHT	56.4 lbs. / 25.6 kg.
GROSS WEIGHT	61.7 lbs. / 28 kg.
DIMENSIONS (DWH)	18.3" x 24.6" x 25.5" 467 x 625 x 650 mm
GROSS DIMENSIONS	20.4" x 27" x 27.3" 520 x 690 x 695 mm



NEMA  
5 - 15  
125 VAC / 15 AMP

## TECHNICAL DRAWING AND DIMENSIONS



### OMCAN INC.

Telephone: 1-800-465-0234  
 Fax: (905) 607-0234  
 Email: sales@omcan.com  
 Website: www.omcan.com



Follow us to keep up to date with the latest news and offers

