



4184 E. Conant st.  
 Long Beach, CA 90808  
 Tel. 800-500-3519  
 Fax. 310-900-1066  
[www.turboairinc.com](http://www.turboairinc.com)

Project :	
Model # :	
Item # :	Qty :
Available W/H :	
Approval :	

## Light Duty Slicer

*Light Duty  
 Economy Slicers*

**Model : GS-12LD**



### ≡ FEATURES & BENEFITS ≡

- **Powerful knife motor**  
 1/2HP knife motor assures peak performance.
- **Ergonomic style chute handle**  
 Comfortable and stable ergonomic style grip on the chute handle provides easy glide manual operation.
- **Top mount knife sharpener**  
 Sharpener won't get lost or dropped, aligns consistently to the knife and provides single step for easy maintenance. Swings away from food contact area when not in use.
- **Slice thickness adjustment**  
 Precise thickness adjustment lets you slice from tissue thin to 9/16" & 7/16" thick.
- **Hard chromed, hollow ground knife**
- **Aluminum construction**
- **Removable safety knife cover**
- **Metal plate protects underside of slicer**
- **Fan cooled, permanently lubricated ball bearing motor**
- **Easy to clean surfaces for a healthier work environment**
- **Compact, yet powerful**
- **Easy to remove slice deflector**



Model	Motor HP	Diameter of Knife (inches)	Crated Weight (lbs.)	L x D x H (inches)
<b>GS-12LD</b>	<b>1/2</b>	<b>12</b>	<b>60</b>	<b>24<sup>3</sup>/<sub>4</sub> x 20<sup>7</sup>/<sub>8</sub> x 18<sup>1</sup>/<sub>2</sub></b>

## Model : GS-12LD

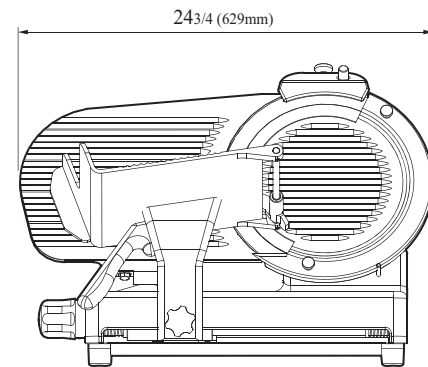
ELECTRICAL DATA	
Motor	1/2HP • 1PH • 115V • 60Hz
DIMENSIONAL DATA	
Diameter of Knife (in.)	12
Cut Thickness (in.)	Max slice thickness
	7/16 thick
Ext. Length Overall (in.)	24 <sup>3</sup> / <sub>4</sub> (629mm)
Ext. Depth Overall (in.)	20 <sup>7</sup> / <sub>8</sub> (531mm)
Ext. Height Overall (in.)	18 <sup>1</sup> / <sub>2</sub> (470mm)
Gross Weight (lbs.)	60
Net Weight (lbs.)	54

Design and specifications subject to change without notice.  
Actual shipping weight may differ due to extra packing materials for product protection.

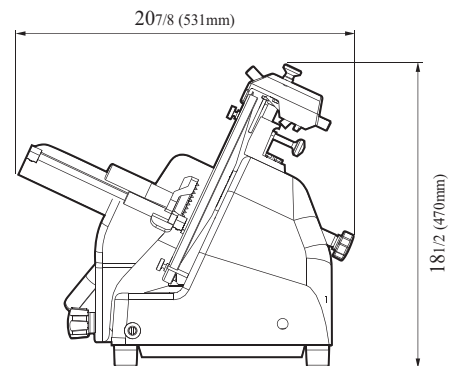
■ **WARRANTY : 1 Year Parts and Labor Warranty**

## PLAN VIEW

(unit : inch)



FRONT VIEW



SIDE VIEW

Ver.201601



- Turbo Air : 800-627-0032
- GK : 800-500-3519
- Warranty : 800-381-7770
- AC : 888-900-1002