

heated food merchandiser

models : GS1400-16, GS1400-16-2 &
GS1400-25, GS1400-25-2



FUNCTIONAL FEATURES

- Adjustable thermostat
- Temperatures from 80°F to above 150°F

CONSTRUCTION FEATURES

- Acrylic display
- Stainless steel corners and base
- 2-door “self-serve” option available
- Additional shelves available

Model GS1400-16:

- Available as single-door or 2-door pass through unit (GS1400-16-2)
- Total height of available shelf space: 14"
- Unit comes with 2 shelves

Model GS1400-25:

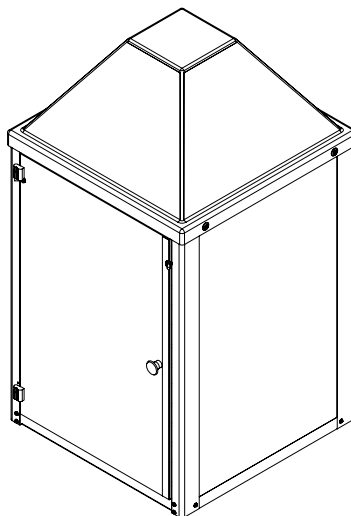
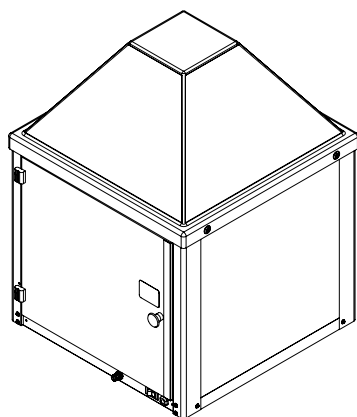
- Available as single-door or 2-door pass through unit (GS1400-25-2)
- Total height of available shelf space: 23"
- Unit comes with 4 shelves

These warmers utilize circulating, heated air to maintain food above 150°F for extended periods of time. Their versatility is showcased with a shelving system that allows you to adjust the shelves to *your* specific needs resulting in an endless variety of food items it can accommodate.



heated food merchandiser

models : GS1400-16, GS1400-16-2 & GS1400-25, GS1400-25-2



SPECIFICATIONS MODEL GS1400-16:

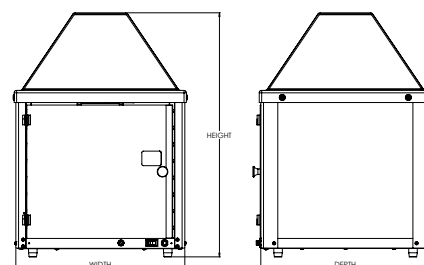
- Width18"
- Depth.....18"
- Height.....25"
- Shipping Dimensions.....24" x 24" x 32"
- Shipping Weight43 lbs
- Voltage..... 120**
- Wattage 640**
- Amps 5.3**

- Best when operated on an individual branch circuit
- 6-ft power cord length

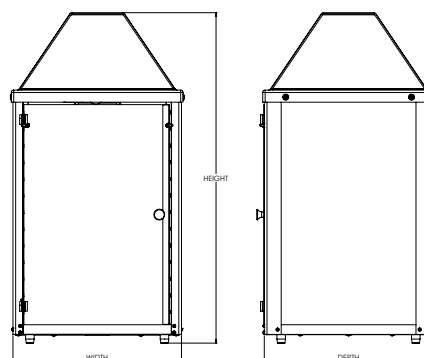
SPECIFICATIONS MODEL GS1400-25:

- Width18"
- Depth.....18"
- Height.....34"
- Shipping Dimensions.....26" x 26" x 45"
- Shipping Weight63 lbs
- Voltage..... 120**
- Wattage 640**
- Amps 5.3**

- Best when operated on an individual branch circuit
- 6-ft power cord length



MODEL GS1400-16



MODEL GS1400-25