



Project _____

Item # _____

Quantity _____

Hot/Cold Shelves Built-In Flush Top

Models:

HCSBF-24-F, -24-I, -24-S, -36-F, -36-I, -36-S, -48-F, -48-I, -48-S*

HCSBFR-24-F, -24-I, -24-S, -36-F, -36-I, -36-S, -48-F, -48-I, -48-S

HCSBFX-24-F, -24-I, -24-S, -36-F, -36-I, -36-S, -48-F, -48-I, -48-S

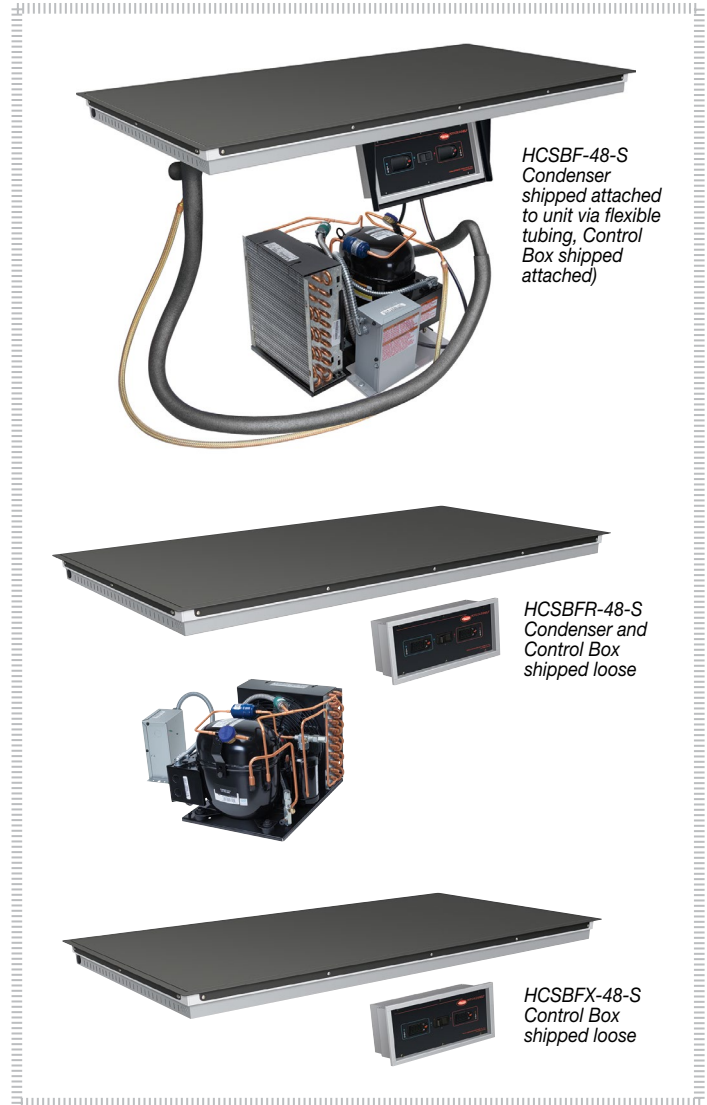
Give your operation ultimate flexibility with Hatco's innovative, patented Hot/Cold Shelves Built-In Flush Top. Available in our signature Hardcoat, they easily transition between a heated to cold and cold to heated shelf!

The HCSBFR, HCSBFX Remote (R or X) models have the added benefit of offering design flexibility for fabricators.

Standard features

- The shelves change modes from hot to cold or vice versa in as little as 30 minutes, allowing quick change for different day parts
- HCSBF units have unattached Condenser, attached Control Box
HCSBFR units have unattached Condenser and Control Box
HCSBFX units have no Condenser (condenser supplied by others) and unattached Control Box
- HCSSBF(R) condensers utilize R-513A refrigerant
HCSSBFX models allow shelves to be cooled with other refrigerants
- With HCSBF models, condensing unit may be mounted up to 4' (1219 mm) away from the center of shelf
- Condensing unit features easy serviceability with sight glass, service valves, dryer/filter and receiver (HCSBF, HCSBFR models only)
- HCSBF models offer a long, flexible, refrigerant line which allows condensing unit to be pulled out for service
- Patented thermal break reduces condensation and temperature transfer on adjacent surfaces
- All units have an Electronic Temperature Control Box with a 4' (1219 mm) lead wire (Standard)
- Control Box can be mounted 4' (1219 mm) from center of the shelf (HCSBF models only)
- All models are hardcoat aluminum, top mount units
- All shelves match the GRSBF Heated Built-In Shelves for an integrated look
- Models shipped with shelf assembly with temperature probe, assembled TXV valve (shipped loose on HCSBFR, HCSBFX models), control box (shipped loose on HCSBFR, HCSBFX models), liquid line solenoid valve attached to shelf (HCSBFX models only) and HCSBF, HCSBFR models include condensing unit (HCSBF shipped attached, HCSBFR shipped loose)
- All models not available with CE Mark

* HCSBF models available in Domestic, Canadian and Export USD Price Lists only.



HCSBF-48-S
Condenser
shipped attached
to unit via flexible
tubing, Control
Box shipped
attached)

HCSBFR-48-S
Condenser and
Control Box
shipped loose

HCSBFX-48-S
Control Box
shipped loose

Options (available at time of purchase only)

- Additional four year parts only warranty on the compressor available at time of purchase (U.S. and Canada only)
- Longer cord - allows Control Box to be located 7.5' (2286 mm) from unit - 4' (1219 mm) Standard (HCSBF Export models only)
- Longer conduit - allows Condenser to be located 7.5' (2286 mm) from unit - 4' (1219 mm) Standard (HCSBF Export models only)

HCSBF models only:

HCSBF(R) models only:



For operation, location and safety information, please refer to the Installation and Operating Manual.

HATCO CORPORATION | P.O. Box 340500 Milwaukee, WI 53234-0500 U.S.A. | (800) 558-0607 | (414) 671-6350



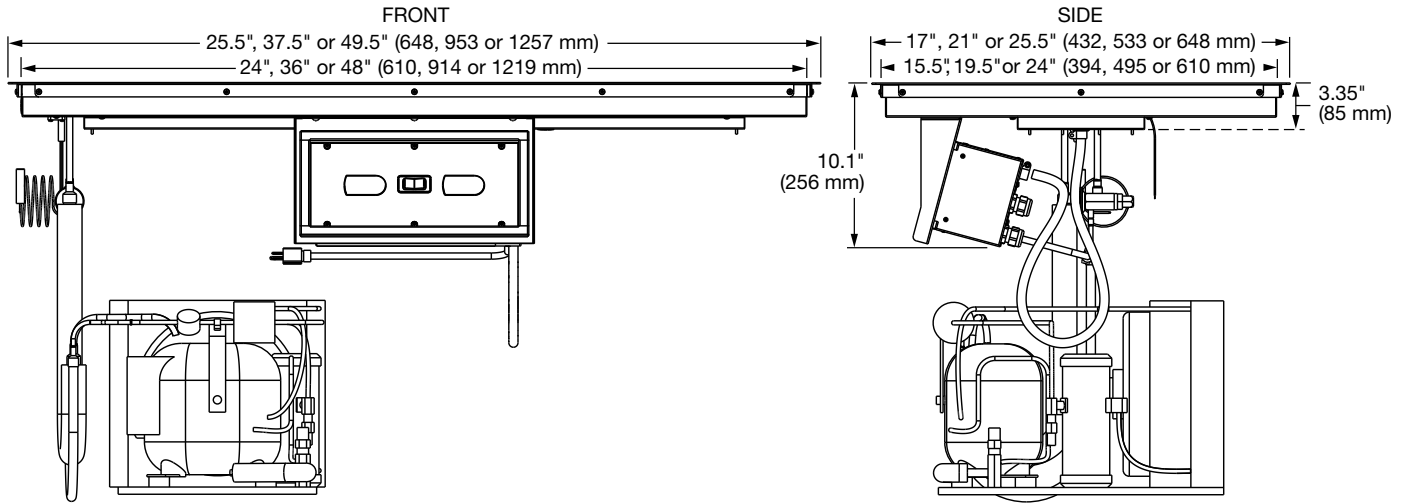
www.hatcocorp.com | support@hatcocorp.com | [Find a Hatco Rep](#) | [Image Library](#) | [Document Library](#) | [Patents](#) | [Chat](#)



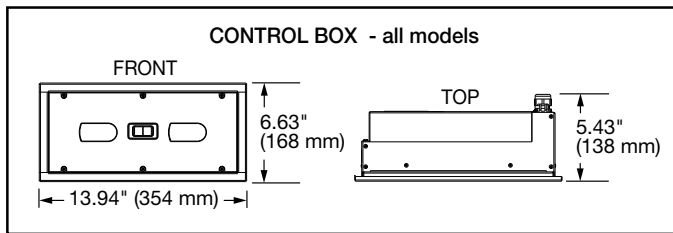
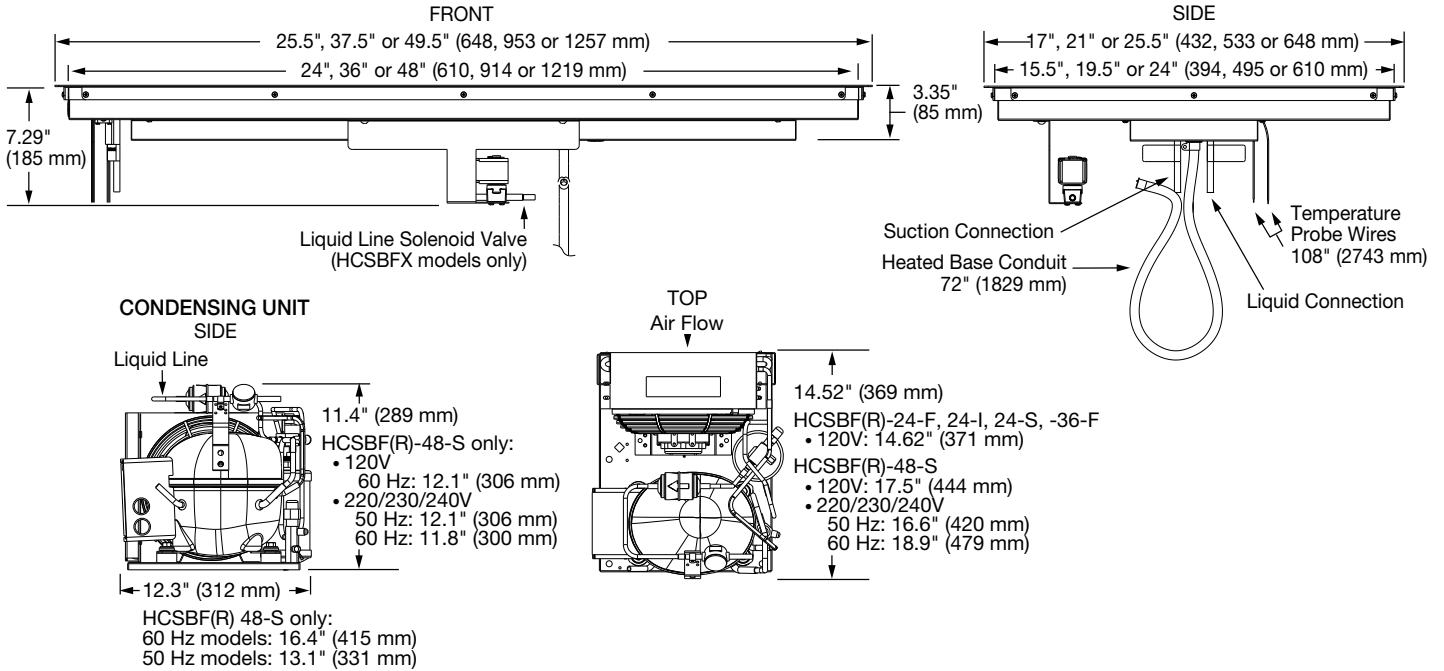
Hot/Cold Shelves Built-In Flush Top

Models: HCSBF-24-F, -24-I, -24-S, -36-F, -36-I, -36-S, -48-F, -48-I, -48-S*
 HCSBFR-24-F, -24-I, -24-S, -36-F, -36-I, -36-S, -48-F, -48-I, -48-S
 HCSBFX-24-F, -24-I, -24-S, -36-F, -36-I, -36-S, -48-F, -48-I, -48-S

HCSBF*



HCSBFR, HCSBFX



*HCSBF models available in Domestic, Canadian and Export USD Price Lists only.

HATCO CORPORATION | P.O. Box 340500 Milwaukee, WI 53234-0500 U.S.A. | (800) 558-0607 | (414) 671-6350



www.hatcocorp.com | support@hatcocorp.com | [Find a Hatco Rep](#) | [Image Library](#) | [Document Library](#) | [Patents](#) | [Chat](#)



Hot/Cold Shelves Built-In Flush Top

Models: HCSBF-24-F, -24-I, -24-S, -36-F, -36-I, -36-S, -48-F, -48-I, -48-S*
 HCSBFR-24-F, -24-I, -24-S, -36-F, -36-I, -36-S, -48-F, -48-I, -48-S
 HCSBFX-24-F, -24-I, -24-S, -36-F, -36-I, -36-S, -48-F, -48-I, -48-S

SPECIFICATIONS

Hot/Cold Shelves - Built-In Flush Top

The shaded areas contain electrical information for international models

Model *	Overall Dimensions W x D x H	Usable Shelf Space W x D of heated/cooled surface	Comp. Size HP	Volts*	Cold Side Watts	Hot Side Watts	Amps	Hz	Plug	Approximate Ship Weight
HCSBF-24-F	25.5" x 17" x 10.1" (648 x 432 x 256 mm)	24" x 15.5" (610 x 394 mm)	1/5	120	300	355	3.8	60	NEMA 5-15P	119 lbs. (54 kg)
			1/3	220	1089	325	5.0	50	CEE 7-7 Schuko, BS-1363, AS3112	
				230	1190	355	5.2			
				240	1295	387	5.4			
			60	220	1129	325	5.1	BS-1363		
				230	1234	355	5.4			
				240	1344	387	5.6			
HCSBF-24-I	25.5" x 21" x 10.1" (648 x 533 x 256 mm)	24" x 19.5" (610 x 495 mm)	1/5	120	300	445	3.8	60	NEMA 5-15P	126 lbs. (57 kg)
			1/3	220	1089	407	5.0	50	CEE 7-7 Schuko, BS-1363, AS3112	
				230	1190	445	5.2			
				240	1295	485	5.4			
			60	220	1129	407	5.1	BS-1363		
				230	1234	445	5.4			
				240	1344	485	5.6			
HCSBF-24-S	25.5" x 25.5" x 10.1" (648 x 648 x 256 mm)	24" x 24" (610 x 610 mm)	1/5	120	300	550	4.6	60	NEMA 5-15P	140 lbs. (64 kg)
			1/3	220	1089	503	5.0	50	CEE 7-7 Schuko, BS-1363, AS3112	
				230	1190	550	5.2			
				240	1295	599	5.4			
			60	220	1129	503	5.1	BS-1363		
				230	1234	550	5.4			
				240	1344	599	5.6			
HCSBF-36-F	37.5" x 17" x 10.1" (953 x 432 x 256 mm)	36" x 15.5" (914 x 394 mm)	1/5	120	300	530	4.4	60	NEMA 5-15P	155 lbs. (70 kg)
			1/3	220	1089	485	5.0	50	CEE 7-7 Schuko, BS-1363, AS3112	
				230	1190	530	5.2			
				240	1295	577	5.4			
			60	220	1129	485	5.1	BS-1363		
				230	1234	530	5.4			
				240	1344	577	5.6			
HCSBF-36-I	37.5" x 21" x 10.1" (953 x 533 x 256 mm)	36" x 19.5" (914 x 495 mm)	1/3	120	450	670	5.9	60	NEMA 5-15P	159 lbs. (72 kg)
			3/8	220	826	613	3.8	50	CEE 7-7 Schuko, BS-1363, AS3112	
				230	904	670	3.9			
				240	984	730	4.1			
			60	220	1129	613	5.1	BS-1363		
				230	1234	670	5.4			
				240	1344	730	5.6			
HCSBF-36-S	37.5" x 25.5" x 10.1" (953 x 648 x 256 mm)	36" x 24" (914 x 610 mm)	1/3	120	450	825	6.9	60	NEMA 5-15P	164 lbs. (74 kg)
			3/8	220	826	755	3.8	50	CEE 7-7 Schuko, BS-1363, AS3112	
				230	904	825	3.9			
				240	984	898	4.1			
			60	220	1129	755	5.1	BS-1363		
				230	1234	825	5.4			
				240	1344	898	5.6			
HCSBF-48-F	49.5" x 17" x 10.1" (1257 x 432 x 256 mm)	48" x 15.5" (1219 x 394 mm)	1/3	120	450	710	5.9	60	NEMA 5-15P	161 lbs. (74 kg)
			3/8	220	826	650	3.8	50	CEE 7-7 Schuko, BS-1363, AS3112	
				230	904	710	3.9			
				240	984	773	4.1			
			60	220	1129	650	5.1	BS-1363		
				230	1234	710	5.4			
				240	1344	773	5.6			
HCSBF-48-I	49.5" x 21" x 10.1" (1257 x 533 x 256 mm)	48" x 19.5" (1219 x 495 mm)	1/3	120	450	890	7.4	60	NEMA 5-15P	172 lbs. (78 kg)
			3/8	220	826	814	3.8	50	CEE 7-7 Schuko, BS-1363, AS3112	
				230	904	890	3.9			
				240	984	969	4.1			
			60	220	1129	814	5.1	BS-1363		
				230	1234	890	5.4			
				240	1344	969	5.6			
HCSBF-48-S	49.5" x 25.5" x 10.1" (1257 x 648 x 256 mm)	48" x 24" (1219 x 610 mm)	5/8	120	800	1100	9.2	60	NEMA 5-15P	204 lbs. (93 kg)
			1/2	220	826	1006	4.6	50	CEE 7-7 Schuko, BS-1363, AS3112	
				230	904	1100	4.8			
				240	984	1198	5.0			
			60	220	1956	1006	8.9	BS-1363		
				230	2138	1100	9.3			
				240	2328	1198	9.7			

* Available in Domestic, Canadian, Export USD Price Lists only

* All voltages non-CE

HATCO CORPORATION | P.O. Box 340500 Milwaukee, WI 53234-0500 U.S.A. | (800) 558-0607 | (414) 671-6350



www.hatcocorp.com | support@hatcocorp.com | [Find a Hatco Rep](#) | [Image Library](#) | [Document Library](#) | [Patents](#) | [Chat](#)



Hot/Cold Shelves Built-In Flush Top

Models: HCSBF-24-F, -24-I, -24-S, -36-F, -36-I, -36-S, -48-F, -48-I, -48-S*
 HCSBFR-24-F, -24-I, -24-S, -36-F, -36-I, -36-S, -48-F, -48-I, -48-S
 HCSBFX-24-F, -24-I, -24-S, -36-F, -36-I, -36-S, -48-F, -48-I, -48-S

SPECIFICATIONS

Hot/Cold Shelves Built-In Flush Top - Remote - R
 with unattached Condenser and Control Box

The shaded areas contain electrical
 information for international models

Model	Overall Shelf Dimensions W x D x H	Usable Shelf Space W x D of heated/cooled surface	Comp. Size HP	Volts*	Cold Side Watts	Hot Side Watts	Amps	Hz	Approximate Ship Weight
HCSBFR-24-F	25.5" x 17" x 7.29" (648 x 432 x 185 mm)	24" x 15.5" (610 x 394 mm)	1/5	120	300	355	3.8	60	111 lbs. (51 kg)
			1/3	220	1089	325	5.0	50	
				230	1190	355	5.2		
				240	1296	387	5.4		
				220	1129	325	5.1		
			230	1234	355	5.4	60		
240	1344	387	5.6						
HCSBFR-24-I	25.5" x 21" x 7.29" (648 x 533 x 185 mm)	24" x 19.5" (610 x 495 mm)	1/5	120	300	445	3.8	60	118 lbs. (54 kg)
			1/3	220	1089	407	5.0	50	
				230	1190	445	5.2		
				240	1296	485	5.4		
				220	1129	407	5.1		
			230	1234	445	5.4	60		
240	1344	485	5.6						
HCSBFR-24-S	25.5" x 25.5" x 7.29" (648 x 648 x 185 mm)	24" x 24" (610 x 610 mm)	1/5	120	300	550	4.6	60	132 lbs. (60 kg)
			1/3	220	1089	503	5.0	50	
				230	1190	550	5.2		
				240	1296	599	5.4		
				220	1129	503	5.1		
			230	1234	550	5.4	60		
240	1344	599	5.6						
HCSBFR-36-F	37.5" x 17" x 7.29" (953 x 432 x 185 mm)	36" x 15.5" (914 x 394 mm)	1/5	120	300	530	4.4	60	147 lbs. (67 kg)
			1/3	220	1089	485	5.0	50	
				230	1190	530	5.2		
				240	1296	577	5.4		
				220	1129	485	5.1		
			230	1234	530	5.4	60		
240	1344	577	5.6						
HCSBFR-36-I	37.5" x 21" x 7.29" (953 x 533 x 185 mm)	36" x 19.5" (914 x 495 mm)	1/3	120	450	670	5.9	60	151 lbs. (69 kg)
			3/8	220	826	613	3.8	50	
				230	904	670	3.9		
				240	984	730	4.1		
			1/3	220	1129	613	5.1	60	
				230	1234	670	5.4		
240	1344	730		5.6					
HCSBFR-36-S	37.5" x 25.5" x 7.29" (953 x 648 x 185 mm)	36" x 24" (914 x 610 mm)	1/3	120	450	825	6.9	60	156 lbs. (71 kg)
			3/8	220	826	755	3.8	50	
				230	904	825	3.9		
				240	984	898	4.1		
			1/3	220	1129	755	5.1	60	
				230	1234	825	5.4		
240	1344	898		5.6					
HCSBFR-48-F	49.5" x 17" x 7.29" (1257 x 432 x 185 mm)	48" x 15.5" (1219 x 394 mm)	1/3	120	450	710	5.9	60	157 lbs. (72 kg)
			3/8	220	826	650	3.8	50	
				230	904	710	3.9		
				240	984	773	4.1		
			1/3	220	1129	650	5.1	60	
				230	1234	710	5.4		
240	1344	773		5.6					
HCSBFR-48-I	49.5" x 21" x 7.29" (1257 x 533 x 185 mm)	48" x 19.5" (1219 x 495 mm)	1/3	120	450	890	7.4	60	164 lbs. (75 kg)
			3/8	220	826	814	3.8	50	
				230	904	890	3.9		
				240	984	969	4.1		
			1/3	220	1129	814	5.1	60	
				230	1234	890	5.4		
240	1344	969		5.6					
HCSBFR-48-S	49.5" x 25.5" x 7.29" (1257 x 648 x 185 mm)	48" x 24" (1219 x 610 mm)	5/8	120	800	1100	9.2	60	196 lbs. (89 kg)
			1/2	220	826	1006	4.6	50	
				230	904	1100	4.8		
				240	984	1198	5.6		
			5/8	220	1956	1006	8.9	60	
				230	2138	1100	9.3		
240	2328	1198		9.7					

* Available in Domestic, Canadian, Export USD Price Lists only

* All voltages non-CE

HATCO CORPORATION | P.O. Box 340500 Milwaukee, WI 53234-0500 U.S.A. | (800) 558-0607 | (414) 671-6350



www.hatcocorp.com | support@hatcocorp.com | [Find a Hatco Rep](#) | [Image Library](#) | [Document Library](#) | [Patents](#) | [Chat](#)



Hot/Cold Shelves Built-In Flush Top

Models: HCSBF-24-F, -24-I, -24-S, -36-F, -36-I, -36-S, -48-F, -48-I, -48-S*
 HCSBFR-24-F, -24-I, -24-S, -36-F, -36-I, -36-S, -48-F, -48-I, -48-S
 HCSBFX-24-F, -24-I, -24-S, -36-F, -36-I, -36-S, -48-F, -48-I, -48-S

SPECIFICATIONS

Hot/Cold Shelves Built-In Flush Top - Remote - X
 with unattached Control Box only (no Condenser)

The shaded areas contain electrical
 information for International models

Model	Overall Shelf Dimensions W x D x H	Usable Space W x D	Volts*	Rated Watts	Rated Amps	Hz	Evaporator Load BTU/Hr	Approximate Ship Weight
HCSBFX-24-F	25.5" x 17" x 7.29" (648 x 432 x 185 mm)	24" x 15.5" (610 x 394 mm)	120	355	3.0	60	844	74 lbs. (34 kg)
			220	325	1.5	50	844	
			230	355	1.5			
			240	387	1.6			
			220	325	1.5	60	844	
			230	355	1.5			
240	387	1.6						
HCSBFX-24-I	25.5" x 21" x 7.29" (648 x 533 x 185 mm)	24" x 19.5" (610 x 495 mm)	120	445	3.7	60	1019	84 lbs. (39 kg)
			220	407	1.8	50	1019	
			230	445	1.9			
			240	485	2.0			
			220	407	1.8	60	1019	
			230	445	1.9			
240	485	2.0						
HCSBFX-24-S	25.5" x 25.5" x 7.29" (648 x 648 x 185 mm)	24" x 24" (610 x 610 mm)	120	550	4.6	60	1216	95 lbs. (44 kg)
			220	503	2.3	50	1216	
			230	550	2.4			
			240	599	2.5			
			220	503	2.3	60	1216	
			230	550	2.4			
240	599	2.5						
HCSBFX-36-F	37.5" x 17" x 7.29" (953 x 432 x 185 mm)	36" x 15.5" (914 x 394 mm)	120	530	4.4	60	1183	110 lbs. (50 kg)
			220	485	2.2	50	1183	
			230	530	2.3			
			240	577	2.4			
			220	485	2.2	60	1183	
			230	530	2.3			
240	577	2.4						
HCSBFX-36-I	37.5" x 21" x 7.29" (953 x 533 x 185 mm)	36" x 19.5" (914 x 495 mm)	120	670	5.6	60	1385	114 lbs. (52 kg)
			220	613	2.8	50	1385	
			230	670	2.9			
			240	730	3.0			
			220	613	2.8	60	1385	
			230	670	2.9			
240	730	3.0						
HCSBFX-36-S	37.5" x 25.5" x 7.29" (953 x 648 x 185 mm)	36" x 24" (914 x 610 mm)	120	825	6.9	60	1649	119 lbs. (54 kg)
			220	755	3.4	50	1649	
			230	825	3.5			
			240	898	3.7			
			220	755	3.4	60	1649	
			230	825	3.5			
240	898	3.7						
HCSBFX-48-F	49.5" x 17" x 7.29" (1257 x 432 x 185 mm)	48" x 15.5" (1219 x 394 mm)	120	710	5.9	60	1453	120 lbs. (55 kg)
			220	650	3.0	50	1453	
			230	710	3.1			
			240	773	3.2			
			220	650	3.0	60	1453	
			230	710	3.1			
240	773	3.2						
HCSBFX-48-I	49.5" x 21" x 7.29" (1257 x 533 x 185 mm)	48" x 19.5" (1219 x 495 mm)	120	890	7.4	60	1767	127 lbs. (58 kg)
			220	814	3.7	50	1767	
			230	890	3.9			
			240	969	4.0			
			220	814	3.7	60	1767	
			230	890	3.9			
240	969	4.0						
HCSBFX-48-S	49.5" x 25.5" x 7.29" (1257 x 648 x 185 mm)	48" x 24" (1219 x 610 mm)	120	1100	9.2	60	3009	149 lbs. (67 kg)
			220	1006	4.6	50	3009	
			230	1100	4.8			
			240	1198	5.0			
			220	1006	4.6	60	3009	
			230	1100	4.8			
240	1198	5.0						

* Available in Domestic, Canadian, Export USD Price Lists only

* All voltages non-CE

HATCO CORPORATION | P.O. Box 340500 Milwaukee, WI 53234-0500 U.S.A. | (800) 558-0607 | (414) 671-6350



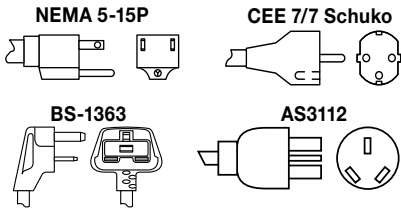
www.hatcocorp.com | support@hatcocorp.com | [Find a Hatco Rep](#) | [Image Library](#) | [Document Library](#) | [Patents](#) | [Chat](#)



Hot/Cold Shelves Built-In Flush Top

Models: HCSBF-24-F, -24-I, -24-S, -36-F, -36-I, -36-S, -48-F, -48-I, -48-S*
 HCSBFR-24-F, -24-I, -24-S, -36-F, -36-I, -36-S, -48-F, -48-I, -48-S
 HCSBFX-24-F, -24-I, -24-S, -36-F, -36-I, -36-S, -48-F, -48-I, -48-S

PLUG CONFIGURATION - HCSBF models only



R-513A REFRIGERANT OPERATING SPECIFICATIONS IN 75°F (24°C) AMBIENT

Refer to the Installation section in the Installation and Operating Manual on the Hatco website

- Suction Pressure: 6-9 PSIG (0.4-0.6 Bar)
- Discharge Pressure : 115-125 PSIG (7.9-8.6 Bar)
- Superheat: 4-10° F (2.2 to 5.6°C)
- Subcooling: 5-10° F (2.8 to 5.6°C)

FACTORY FILL RATES for R-513A REFRIGERANT (HCSBFR condensers are shipped without refrigerants)

Model	Fill Weight	Model	Fill Weight
HCSBF-24-F	1 lb. 3 oz. (0.539 kg)	HCSBFR-24-F	1 lb. 13 oz. (0.822 kg)
HCSBF-24-I		HCSBFR-24-I	
HCSBF-24-S	1 lb. 5 oz. (0.595 kg)	HCSBFR-24-S	1 lb. 15 oz. (0.879 kg)
HCSBF-36-F	1 lb. 5 oz. (0.595 kg)	HCSBFR-36-F	1 lb. 15 oz. (0.879 kg)
HCSBF-36-I		HCSBFR-36-I	
HCSBF-36-S	1 lb. 3 oz. (0.539 kg)	HCSBFR-36-S	1 lb. 13 oz. (0.822 kg)
HCSBF-48-F	1 lb. 3 oz. (0.539 kg)	HCSBFR-48-F	1 lb. 13 oz. (0.822 kg)
HCSBF-48-I		HCSBFR-48-I	
HCSBF-48-S	1 lb. 15 oz. (0.879 kg)	HCSBFR-48-S	2 lb. 8 oz. (1.134 kg)

COUNTERTOP CUTOUT SIZE



See Installation and Operating Manuals for more information

Model	Width		Depth	
	Minimum	Maximum	Minimum	Maximum
HCSBF-24-F HCSBFR-24-F HCSBFX-24-F	24.6" (625 mm)	25.0" (635 mm)	16.1" (409 mm)	16.5" (419 mm)
HCSBF-24-I HCSBFR-24-I HCSBFX-24-I	24.6" (625 mm)	25.0" (635 mm)	20.1" (511 mm)	20.5" (521 mm)
HCSBF-24-S HCSBFR-24-S HCSBFX-24-S	24.6" (625 mm)	25.0" (635 mm)	24.6" (625 mm)	25.0" (635 mm)
HCSBF-36-F HCSBFR-36-F HCSBFX-36-F	36.6" (930 mm)	37.0" (940 mm)	16.1" (409 mm)	16.5" (419 mm)
HCSBF-36-I HCSBFR-36-I HCSBFX-36-I	36.6" (930 mm)	37.0" (940 mm)	20.1" (511 mm)	20.5" (521 mm)
HCSBF-36-S HCSBFR-36-S HCSBFX-36-S	36.6" (930 mm)	37.0" (940 mm)	24.6" (625 mm)	25.0" (635 mm)
HCSBF-48-F HCSBFR-48-F HCSBFX-48-F	48.6" (1234 mm)	49.0" (1245 mm)	16.1" (409 mm)	16.5" (419 mm)
HCSBF-48-I HCSBFR-48-I HCSBFX-48-I	48.6" (1234 mm)	49.0" (1245 mm)	20.1" (511 mm)	20.5" (521 mm)
HCSBF-48-S HCSBFR-48-S HCSBFX-48-S	48.6" (1234 mm)	49.0" (1245 mm)	24.6" (625 mm)	25.0" (635 mm)
All Models		Width		Height
Control Box Cut Out Dimensions		13.125" (333 mm)	5.625" (143 mm)	

PRODUCT SPECS

Hot/Cold Shelf Built-In Flush Top

The patented Hot/Cold Built-In Shelf Flush Top shall be model ... as manufactured by the Hatco Corporation, Milwaukee, WI 53234 U.S.A.

The Hot/Cold Built-In Shelf Flush Top shall be rated at ... watts, ... volts, and ... inches (millimeters) in overall width. It shall utilize R-513A refrigerant and consist of

food-safe Hardcoat Aluminium material surface shelf assembly, condenser attached to evaporator with 5 foot (1524 mm) flexible tubing, adjustable bracket with cord and plug attached, and attached Electronic Temperature Control Box.

Warranty consists of 24/7 parts and service assistance (U.S. and Canada only).

Hot/Cold Shelf Built-In Flush Top - Remote (R or X models)

The patented, Hot/Cold Shelf Built-In Flush Top - Remote (R or X) shall be model ... as manufactured by the Hatco Corporation, Milwaukee, WI 53234 U.S.A.

The Hot/Cold Shelf Built-In Flush Top - Remote (R or X) model shall be rated at ... watts, ... volts, and ... inches (millimeters) in overall width.

HCSBFR shall utilize R-513A refrigerant. HCSBFR and HCSBFX models shall consist of food-safe Hardcoat Aluminium material surface shelf assembly with temperature probe, unattached TXV valve, unattached Electronic Temperature Control Box, unattached Condenser (HCSBFR model only) and solenoid valve attached to shelf (HCSBFX model only).

Warranty consists of 24/7 parts and service assistance (U.S. and Canada only).

* HCSBF models available in Domestic, Canadian and Export USD Price Lists only.

HATCO CORPORATION | P.O. Box 340500 Milwaukee, WI 53234-0500 U.S.A. | (800) 558-0607 | (414) 671-6350



www.hatcocorp.com | support@hatcocorp.com | [Find a Hatco Rep](#) | [Image Library](#) | [Document Library](#) | [Patents](#) | [Chat](#)