



Project _____

Item # _____

Quantity _____

Rice Drawer Warmers

Models: HRDW-2
HRDW-2U
HRDW-2U-1

Hatco's Rice Drawer Warmer is designed to keep rice hot and at desired consistency until served.

The Rice Drawer Warmer holds rice in the same pot it's prepared in, reducing pan-to-pan transfer time and labor (designed for Panasonic 23 cup - Town 30 cup adapter available).

With a digital electronic temperature control, this unit provides even heat throughout the holding cavity. With all around insulation, these drawer warmers provide excellent energy efficiency.

Standard features

- Drawers accept Panasonic 23 cup (5.4 liter) rice pots (pots and lids not available)
- With Hatco's accessory Town adapters, drawers will accept Town 30 cup (7 liter) rice pots (pots and lids not available)
- Allows one pot per drawer of cooked rice for long term holding, with the option of serving from third pot in top heated well (HRDW-2U-1 only)
- Stainless steel construction, including back panel, handles the rigors of daily kitchen use
- Heavy duty drawers and robust telescopic drawer slides makes pan removal easy and efficient
- Stainless steel utensil well and utensil pan included with HRDW-2U and HRDW-2U-1 models only
- Adjustable t-stat with knob for optimal rice holding in top well (HRDW-2U-1 only)
- Raised beveled edge on top of HRDW-2, HRDW-2U models only



Accessories

- Hinged aluminum lid for top rice well (HRDW-2U-1 only)
- Town 30 cup (7 liter) Adapter (one per drawer required)



For operation, location and safety information, please refer to the Installation and Operating Manual.



ANSI/NSF 4



HATCO CORPORATION | P.O. Box 340500 Milwaukee, WI 53234-0500 U.S.A. | (800) 558-0607 | (414) 671-6350



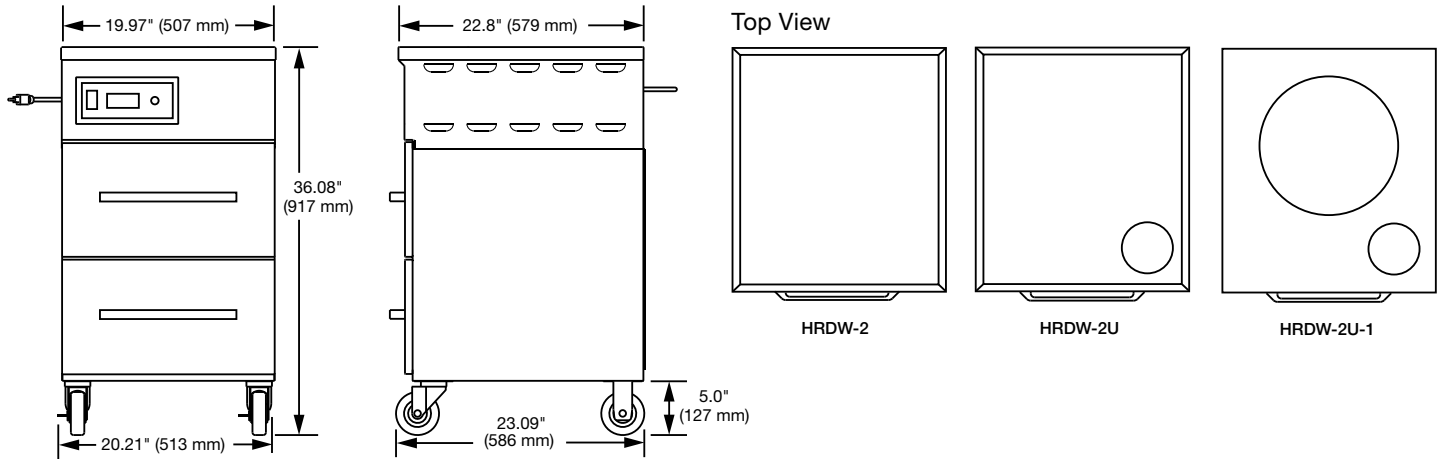
www.hatcocorp.com | support@hatcocorp.com | [Find a Hatco Rep](#) | [Image Library](#) | [Document Library](#) | [Chat](#)



Rice Drawer Warmers

Models: HRDW-2, HRDW-2U, HRDW-2U-1

HRDW-2U-1



SPECIFICATIONS Rice Drawer Warmers

Model	Description	Dimensions (Width x Depth* x Height)	Volts	Phase	Watts	Amps	Plug	Shipping Weight*
HRDW-2	Raised bevel edge only	20.21" x 23.09" x 36.08" (513 x 586 x 917 mm)	120	Single	700	5.8	NEMA 5-15P	121 lbs. (55 kg)
HRDW-2U	Utensil Well with Utensil Pan and raised bevel edge							123 lbs. (56 kg)
HRDW-2U-1	Rice and Utensil Well with Utensil Pan							128 lbs. (59 kg)

* Includes 1.25" (31.75 mm) for drawer handle.

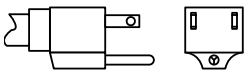
* Shipping weight includes packaging.

CORD LOCATION

Back of unit, upper left corner

PLUG CONFIGURATIONS

NEMA 5-15P



PRODUCT SPECS Rice Drawer Warmers

The Rice Drawer Warmers shall be a Hatco Model ... , as manufactured by the Hatco Corporation, Milwaukee, WI 53234, U.S.A.

The unit shall have ... drawer(s) and be rated at ... watts, ... amps. The Rice Drawer Warmer will hold Panasonic 23 cup (5.4 liters) rice pan or a Town 30 cup (7 liters) pot using accessory drawer adaptors.

The Rice Drawer Warmer shall have a stainless steel exterior, interior, drawer slides, and assembly. Drawer rollers shall be durable nylon. The drawer assembly shall fully extend to allow removal of pots and pans without tilting in standard width models.

The unit shall have insulated top, bottom and sides of cabinet with cord and plug attached. Each unit shall have a power switch and electronic temperature control.

Accessories: Hinged aluminum lid for top rice well, Town 30 cup (7 liter) Adapter
Warranty consists of 24/7 parts and service assistance (U.S. and Canada only).

HATCO CORPORATION | P.O. Box 340500 Milwaukee, WI 53234-0500 U.S.A. | (800) 558-0607 | (414) 671-6350



www.hatcocorp.com

support@hatcocorp.com

[Find a Hatco Rep](#)

[Image Library](#)

[Document Library](#)

[Chat](#)