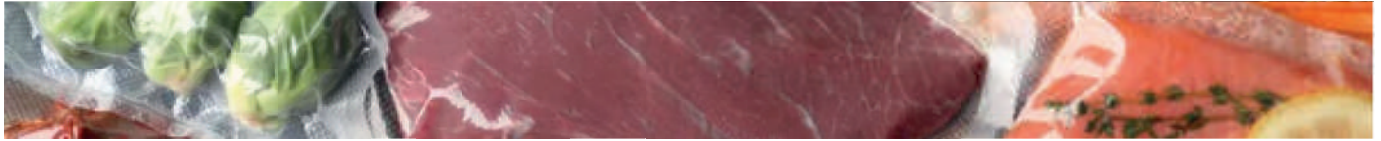




YOU CAN TRUST

SEALING MACHINES

IBSF-300 / IBSF-450 / IBSF-600



IBSF-300
12" IMPULSE BAG SEALER
FOOT-OPERATED



IBSF-450
18" IMPULSE BAG SEALER
FOOT-OPERATED



IBSF-600
24" IMPULSE BAG SEALER
FOOT-OPERATED

STANDARD FEATURES

Skyfood Foot-Operated Impulse Bag Sealers are available in different sizes, 12, 18 and 24" long seal bar to better suit your needs. Robust metal construction, these foot-operated bag sealers are essential tools in any food service and other commercial operations. Sealing food products helps protect them from getting stale or rotten, avoiding waste and increasing profit for your business. Ready to use, our Bag Sealers require no warm up time. Adjustable timer creates perfect seals for bags up to 12 mil thick. For use with PP (polypropylene) and PE (polyethylene) bags.

- Foot pedal operation
- Instantly use, no warm up time needed
- 7 timer settings to seal bags up to 12 mil thick
- Seal PP (polypropylene) and PE (polyethylene) bags
- On and Timer light indicators
- Include an adjustable worktable
- Easy to use and to clean
- Service kit available

ILLUSTRATIVE PHOTO, ACTUAL PRODUCTS AND ACCESSORIES ARE SUBJECT TO CHANGE WITHOUT NOTICE.



Skyfood Equipment LLC
175 SW 7th Street, Ste 2416
Miami, FL 33130

Toll Free:
1-800-503-7534
sales@skyfood.us

www.skyfood.us



Follow us to keep up to date with the latest news and offers

/SkyfoodEquipment

/SkyfoodEquipment

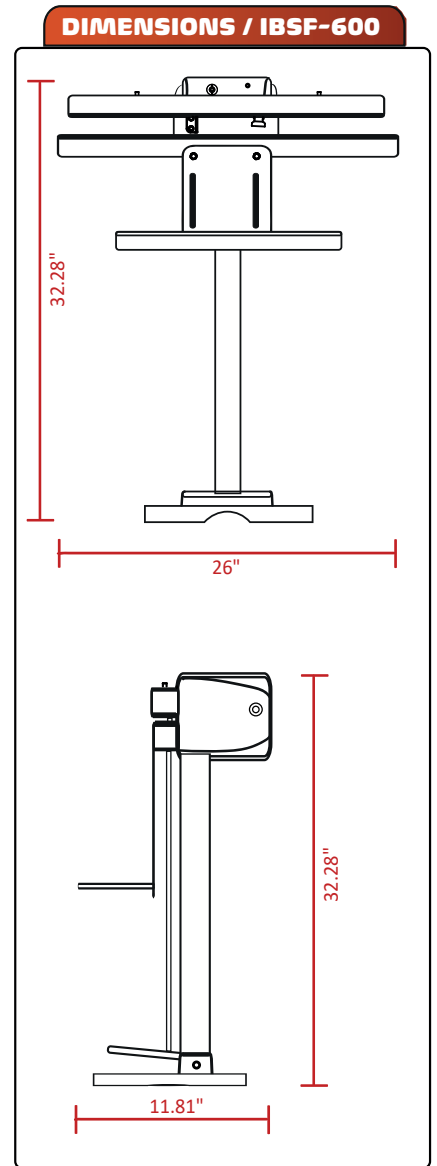
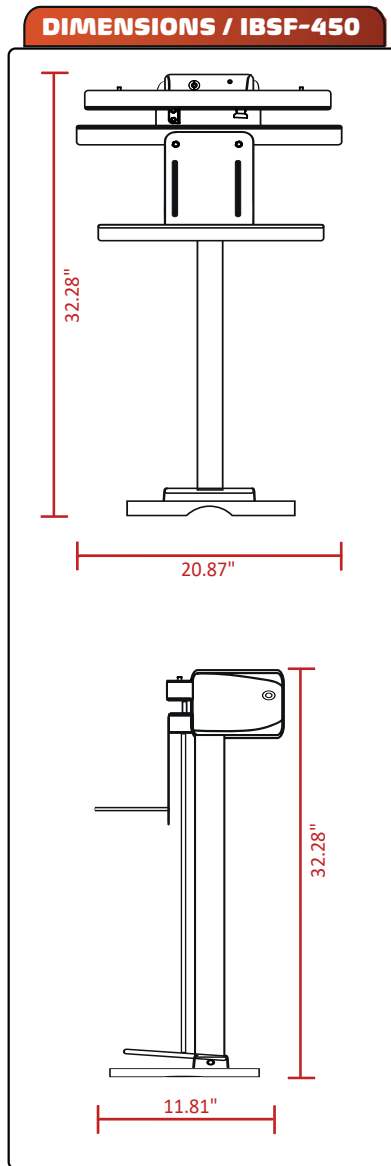
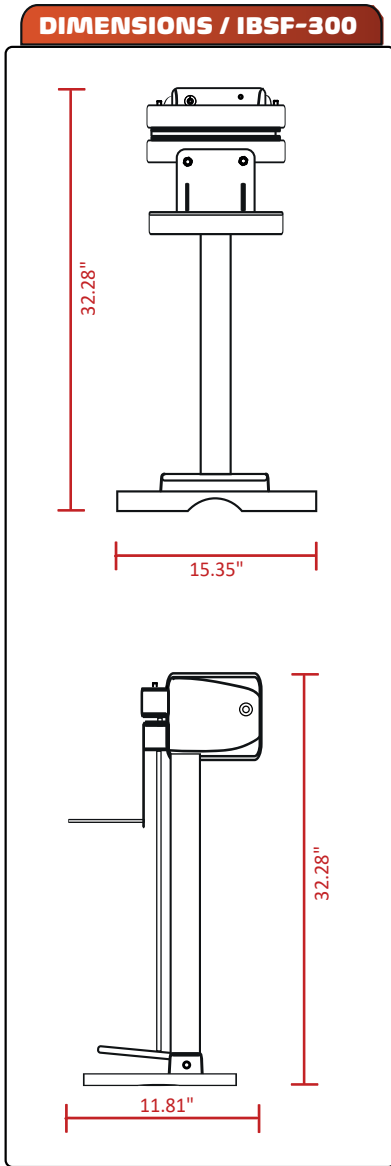
/SkyfoodEquipment



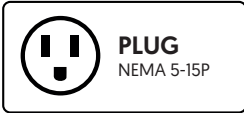
YOU CAN TRUST

SEALING MACHINES

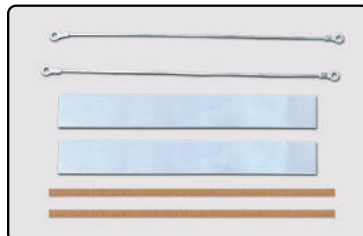
IBSF-300 / IBSF-450 / IBSF-600



**WARRANTY 01 YEAR PARTS AND LABOR
VALID IN THE CONTINENTAL UNITED STATES.**



ASSEMBLY REQUIRED
ASSEMBLY INSTRUCTIONS
PROVIDED WITH MACHINE.



ELEMENT SERVICE KIT

- INCLUDES
- 2 HEATING ELEMENTS
- 2 PTFE STRIPS
- 2 PTFE COVERS

MADE IN TAIWAN

Item	Voltage	Power Rating	Amps	Dimensions (W x D x H)	Weight (Net x Ship)	Seal Bar	Max. Bag Thickness	PLUG
IBSF-300	110/220 V	600 W	5.5	15.35" x 11.81" x 32.28"	37.5 lb x 39 lb	11.8" long x 1/16" (2 mm) wide	12 MIL (0.3mm)	NEMA 5-15P
IBSF-450	110/220 V	700 W	6.5	20.87" x 11.81" x 32.28"	44.1 lb x 46 lb	17.7" long x 1/16" (2 mm) wide	12 MIL (0.3mm)	NEMA 5-15P
IBSF-600	110/220 V	660 W	6	26" x 11.81" x 32.28"	48.5 lb x 49 lb	23.6" long x 1/16" (2 mm) wide	12 MIL (0.3mm)	NEMA 5-15P

ILLUSTRATIVE PHOTO, ACTUAL PRODUCTS AND ACCESSORIES ARE SUBJECT TO CHANGE WITHOUT NOTICE.



Skyfood Equipment LLC
175 SW 7th Street, Ste 2416
Miami, FL 33130

Toll Free:
1-800-503-7534
sales@skyfood.us

www.skyfood.us

