



# Datasheet

Project:	Quantity:
Model #:	Approval:

*For Commercial Use Only*

## ICE280 26" 280 lb. Air Cooled Half Cube Ice Machine with Bin



### FEATURES

- Produces 280 lb. of ice in 24 hours
- 80 lb. storage bin
- Storage bin with automatic shut-off when bin is full
- Adjustable leveling feet
- Self-clean system
- Produces high-quality crystal clear ice cubes
- Digital controller and display
- Adjustable ice thickness
- Hose, drain pipe, and ice scooper included

This air-cooled icemaker in stainless steel from Coldline is a very reliable and versatile ice maker that produces up to 280 lb. of ice per day, with an 80 lb. capacity storage bin. This #304 stainless steel construction provides durability to a unit that is low-maintenance and easy to clean with a self-clean system. The unit produces crystal clear ice cubes that work great for applications in restaurants, bars, hotels, grocery stores and more. This unit runs on a standard electrical current and is ETL approved for commercial use, pairing high output and capacity with easy to use control panel, compact design.

- cETLus Listed
  - ETL Sanitation Listed
- Conforms to UL & NSF Standards



**U**SR Brands is a US supplier of premium quality commercial cooking, refrigeration and food preparation equipment. Our aim is simple. Produce industry-leading commercial restaurant equipment at reasonable prices, and back it all up with an easy to understand, no nonsense warranty that people can count on.



USR Brands, Inc.

Phone: 800-764-1172 | [www.usrbrands.com](http://www.usrbrands.com) | [sales@usrbrands.com](mailto:sales@usrbrands.com)

Rev. 11-2021

Page 355



# Datasheet

Project:	Quantity:
Model #:	Approval:

For Commercial Use Only

## TECHNICAL DATA

### DIMENSIONS

Exterior Dimensions	25.9"W x 26.9"D x 38.1"H
Packaging Dimensions	31"W x 29"D x 35"H
Unit Weight	128 lb.
Shipping Weight	146 lb.

### ELECTRICAL

Voltage	115
Hertz	60
Phase	1
Wattage	526
Plug Type	5-15P
Power Cord Length	60"

### COOLING

Ice Shape	Half Cube
Ice Size	13x22x22 mm
Condenser Type	Air Cooled
24 Hour Ice Yield Output	280 lb.
Storage Bin Capacity	80 lb.
Min. Water Pressure	19 PSIG
Max. Water Pressure	80 PSIG
Refrigerant	R290
Temperature Controller	Digital

### CONSTRUCTION

Exterior Material	Stainless Steel
Interior Material	Polyethylene
Insulation Material	Foamed-in-Place Polyurethane
Legs / Feet	Adjustable / Leveling
Accessories Included	Ice Scooper Water Hose Drain Hose

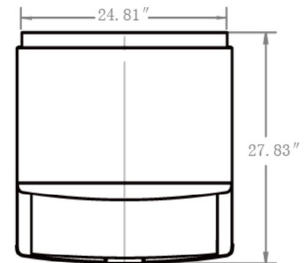
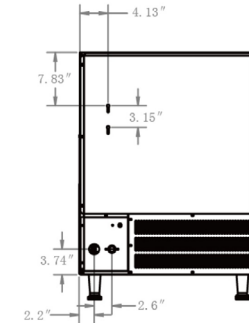
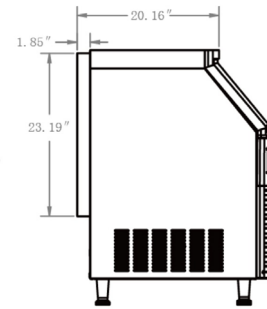
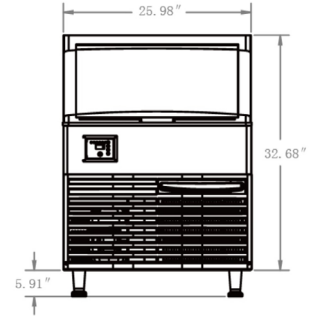
## TECHNICAL DRAWING

MODEL: ICE280

MFR MODEL:



NEMA 5-15P



USR Brands, Inc.

Phone: 800-764-1172

www.usrbrands.com

sales@usrbrands.com

Rev. 11-2021

Page 356