

# KG-12-FS MEAT GRINDER

# PRO-CUT®

## SPEC SHEET

[www.pro-cut.us](http://www.pro-cut.us)

### STANDARD FEATURES

- 400+ lbs / hour processing capacity  
(1st grinding – 3/8" plate)
- 200+ lbs / hour processing capacity  
(2nd grinding – 1/8" plate)
- Compact footprint for limited spaces
- 3/4 HP motor with powerful 21 lbs-ft torque for meat grinding
- Precision engineered steel gear transmission
- Durable food grade stainless steel feed tray and body
- Non slip rubber feet
- Effortless to install and operate



### PRODUCT HIGHLIGHTS



**Robust stainless steel body and tray**



**Gear driven body**



**Included Accessories**



**Non skid-feet**



**Compact footprint**



Intertek

Intertek



**1 year parts and labor**

# KG-12-FS MEAT GRINDER

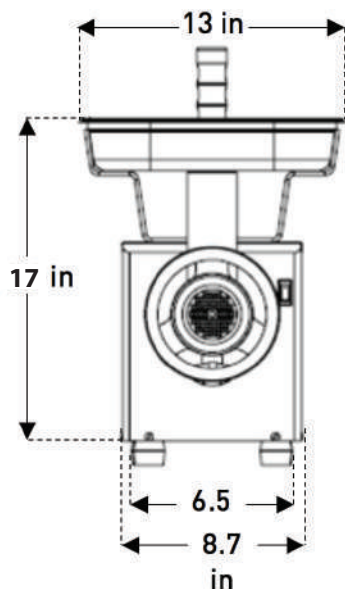
# PRO-CUT®

## SPEC SHEET

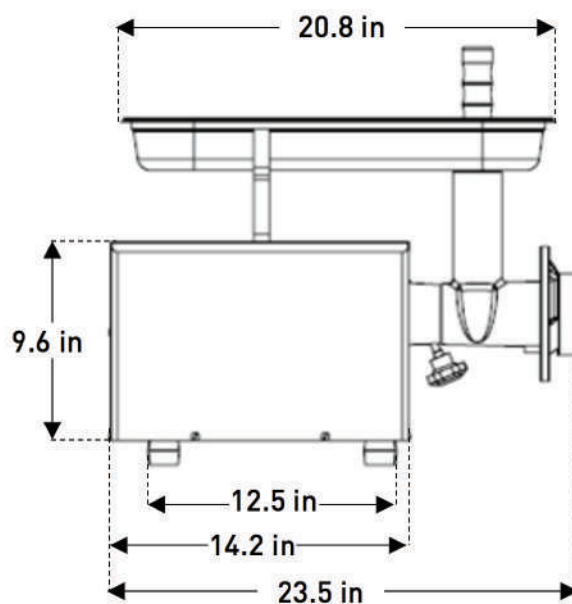
[www.pro-cut.us](http://www.pro-cut.us)

## PLAN VIEW

Front view



Side view



NEMA 5-15P

## TECHNICAL DATA

### Dimensions

|                     |                        |
|---------------------|------------------------|
| External dimensions | L: 23.5" W: 13" H: 17" |
| Net weight          | 79.37 lb (36 kg)       |
| Power cord length   | 5.9 ft                 |
|                     |                        |
|                     |                        |

### Construction

|                  |                 |
|------------------|-----------------|
| Cabinet material | Stainless steel |
| Tray material    | Stainless steel |
| Headstock        | Cast Iron       |
|                  |                 |
|                  |                 |

### Logistic data

|                                 |                          |
|---------------------------------|--------------------------|
| Max number of SKU per pallet    | 6                        |
| Shipping dimensions per unit    | L: 28" W: 14.5" H: 17.5" |
| Shipping weight per unit        | 85 lbs                   |
| Shipping dimensions full pallet | L: 30" W: 31" H: 40"     |
| Shipping weight full pallet     | 529 lbs                  |
| Freight class                   | 85                       |

### Electrical data

|                     |                 |
|---------------------|-----------------|
| Motor               | 3/4 HP          |
| Volts / Frequency   | 115 Vac / 60 Hz |
| Amps                | 11.5            |
| Watts               | 550             |
| Phase               | 1               |
| Type of plug (NEMA) | 5-15P           |

### Performance / Capacity

|                                    |                |
|------------------------------------|----------------|
| 1st grinding capacity (3/8" plate) | 7.49 lbs / min |
| 2nd grinding capacity (1/8" plate) | 3.97 lbs / min |
|                                    |                |
|                                    |                |

### Accessories

| Knives                               | Plates      |
|--------------------------------------|-------------|
| NI-12 (Stainless Steel Round)        | CI-12-1/4"  |
| NIR-12 (Stainless Steel Rectangular) | CI-12-1/8"  |
| NLV-12 (Long Lasting Steel)          | CI-12-3/8"  |
|                                      | CI-12-3/16" |

L: Length W: Width H: Height