

# KG-32-XP MEAT GRINDER

# PRO-CUT<sup>®</sup>

## SPEC SHEET

[www.pro-cut.us](http://www.pro-cut.us)

### STANDARD FEATURES

- 3,800+ lbs./hour processing capacity  
(1st grinding – 3/8" plate)
- 1,800+ lbs./hour processing capacity  
(2nd grinding – 1/8" plate)
- 5 HP motor with powerful 141 lbs-ft torque for  
meat grinding
- 3 phase electrical connection
- Precision engineered steel gear transmission
- Food grade stainless steel body and  
feed tray
- Robust headstock with permanent affixed  
safety guard
- Safety deflector included
- Features a stainless steel stand
- Includes motor protector in case of overload



### PRODUCT HIGHLIGHTS



Safety deflector



Powerful  
5 HP motor



Stainless  
steel stand



Large stainless  
steel feed tray



Stainless steel  
body



Motor protector



1 year parts and labor

# KG-32-XP MEAT GRINDER

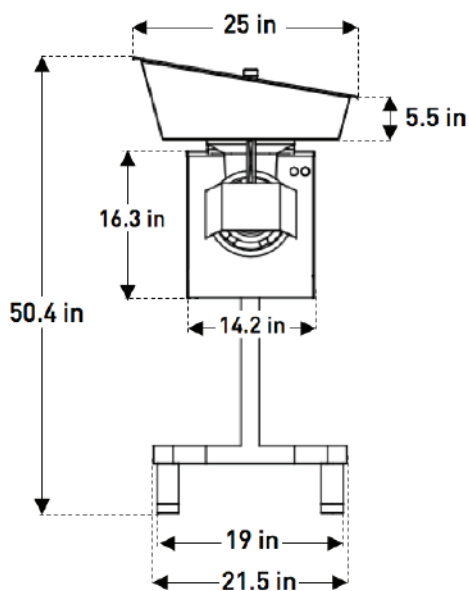
# PRO-CUT®

## SPEC SHEET

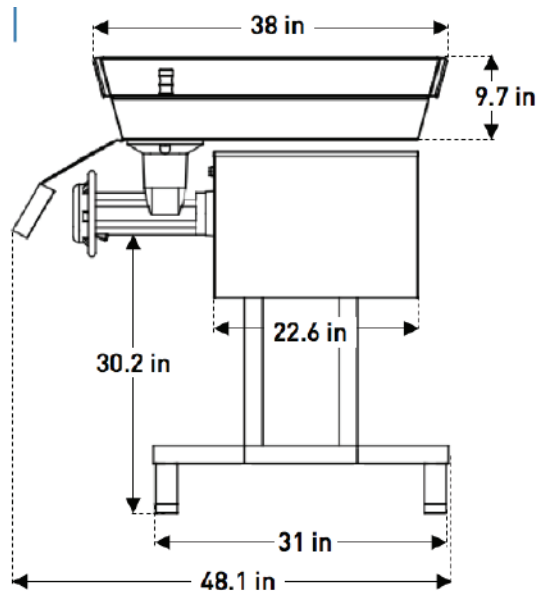
www.pro-cut.us

## PLAN VIEW

Front view



Side view



L15-20P

## TECHNICAL DATA

### Dimensions

External dimensions	L: 48.1" W: 25" H: 50.4"
Net weight	272.27 lb (123.50 kg)
Power cord length	6.56 ft

### Construction

Cabinet material	Stainless steel
Tray material	Stainless steel
Headstock	Cast iron
Stand	Stainless steel

### Logistic data

Max number of SKU per pallet	1
Shipping dimensions per unit	L: 49" W: 26" H: 51"
Shipping weight per unit	337 lbs
Shipping dimensions full pallet	L: 49" W: 26" H: 51"
Shipping weight full pallet	337 lbs
Freight class	85

L: Length W: Width H: Height

### Electrical data

Motor	5 HP
Volts / Frequency	220 Vac / 60 Hz
Amps	13.6
Watts	3750
Phase	3 PH
Type of plug (NEMA)	L15-20P

### Performance / Capacity

1st grinding capacity (3/8" plate)	64 lbs / min
2nd grinding capacity (1/8" plate)	31 lbs / min

### Accessories

Knives	Plates
NIR-32 (Stainless Steel Rectangular)	CD-32-1/8"
NLV-32 (Long Lasting Steel)	CD-32-1/8-29"
	CD-32-1/4"
	CD-32-3/16"
	CDH-32-3/16"
	CD-32-3/8"