

KSDS-12

STAINLESS STEEL DELI SLICER

PRO-CUT®

SPEC SHEET

www.pro-cut.us

STANDARD FEATURES

- Food grade quality stainless steel construction
- Powerful 1/3 HP motor for slicing all types of cold cuts
- Long lasting 12" Italian chromium steel blade
- Features a built in sharpener
- Compact footprint for limited spaces
- Robust belt driven transmission
- Stainless steel affixed safety ring guard
- True 45 degree angle gravity feed
- 430 RPM
- 10.6" x 10.3" Product tray
- Adjustable slice size



PRODUCT HIGHLIGHTS



Stainless steel construction



Powerful 1/3 HP motor



Built in Sharpener



Affixed safety ring guard



True 45 degree angle gravity feed



Adjustable slice size



1 year parts and labor

KSDS-12

STAINLESS STEEL DELI SLICER

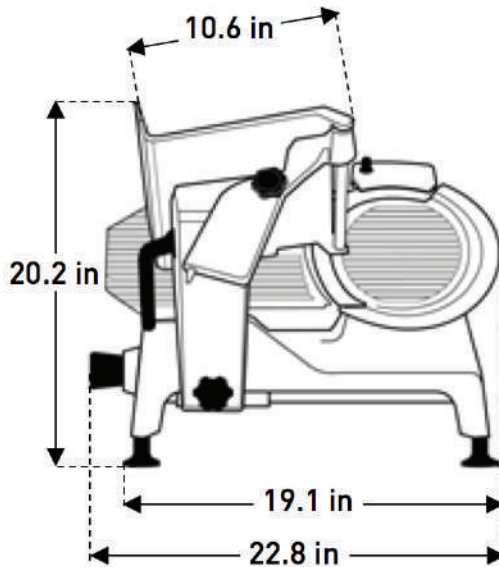
PRO-CUT®

SPEC SHEET

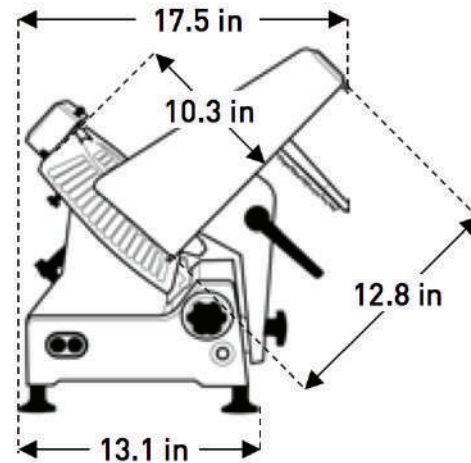
www.pro-cut.us

PLAN VIEW

Front view



Side view



NEMA 5-15P

TECHNICAL DATA

Dimensions

External dimensions	L: 17.5" W: 22.8" H: 20.2"
Net weight	63.93 lb (29 kg)
Power cord length	5.9 ft

Construction

Blade	Chromium steel
Body	Stainless steel

Logistic

Max number of SKU per pallet	6
Shipping dimensions per unit	L: 29" W: 23" H: 21"
Shipping weight per unit	64 lb
Shipping dimensions full pallet	L: 36" W: 51" H: 66"
Shipping weight full pallet	428 lb
Freight class	85

L: Length W: Width H: Height

Electrical

Motor	1/3 HP
Volts / Frequency	127 Vac / 60 Hz
Amps	3
Watts	250
Phase	1 ph
Plug type (NEMA)	5-15P

Performance data

Transmission	Belt
Blade diameter	11.81" (300 mm)
Speed blade	430 RPM
Cut width	0-0.450" (0-11.5 cm)
Max. sliding table travel	12.5" (31.75 cm)

Dealers information
