



# Double Door Series Refrigerator & Freezer Top Mount Compressor

KTSR-3 | KTSF-3



### Durable Design

- Stainless steel interior & exterior
- Coated evaporator coil
- 3 height adjustable, heavy duty, PE coated wire shelves
- LED interior lighting
- Digital temperature display
- Door lock with keys
- Simple plug-in installation

### Energy Efficient

- Self-closing door with stay open feature
- Seals tight with magnetic vinyl gasket
- Open door alert beeps when door is open for 3 minutes
- Foamed-in place high-density polyurethane insulated body, CFC-Free
- Large evaporator & condenser for quick cooling and greater efficiency

### Superior Quality

- Designed for mobility, reliability & efficiency in commercial kitchens
- Certified with ETL guaranteeing quality standards
- 4" heavy duty swivel & locking front casters
- Easy grip handles
- Entirely self-contained system
- Automatic defrost system
- Digitally controlled temperature system
- Accommodates full-size bun sheet pans
- Easily adjustable shelf height
- Internal storage capacity is 72 cu. ft.
- NEMA 5-15 plug
- R-290 Natural Refrigerant
- Compressor: Refrigerator - 1/2 HP / Freezer - 1 HP
- Holding temperature: Refrigerator 33oF to 39oF /Freezer 5oF to -9.4oF

Project Name:	
Location:	
Item:	Qty:
Model:	



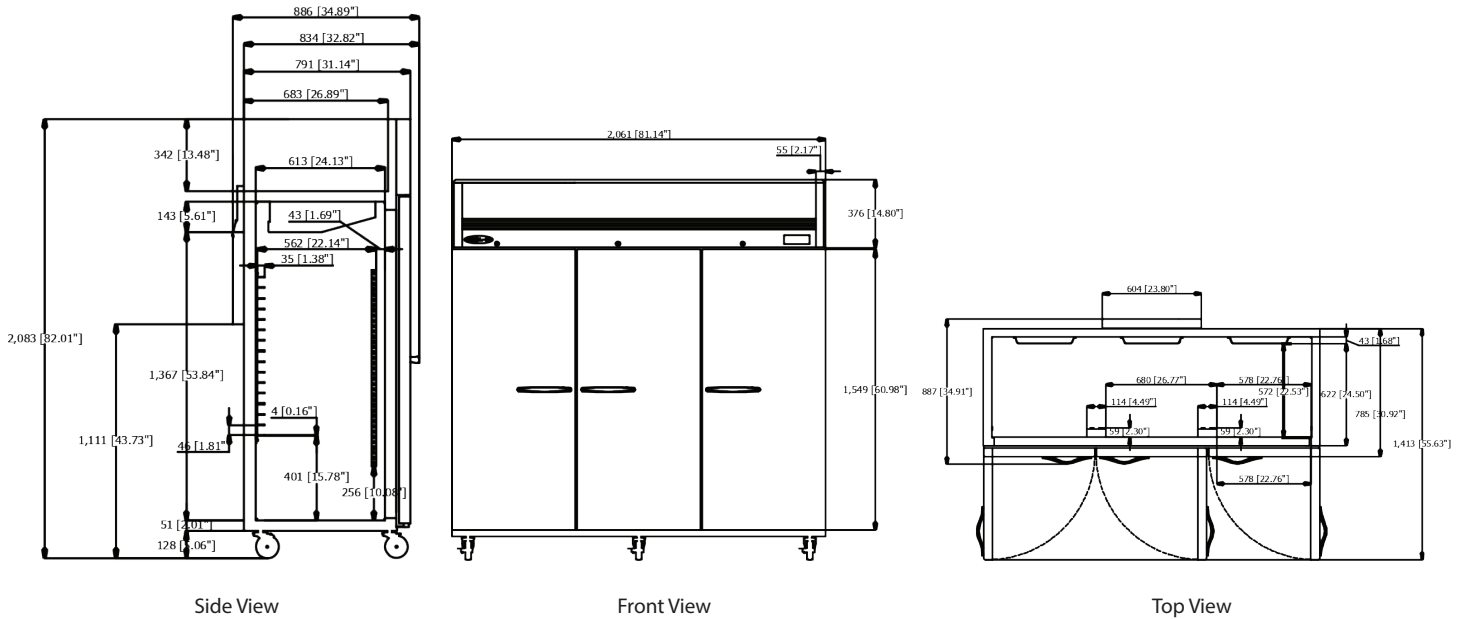
5659 Royalmount Ave.  
 Montreal, QC, Canada H4P 2P9  
 Telephone: 514.737.9701 / Toll Free: 888.275.4538  
 Fax: 514.342.3854 / Toll Free: 877.453.8832  
 sales@mvpgroupcorp.com / mvpgroupcorp.com

12000 Biscayne Blvd., Suite # 108  
 Miami, FL, United States 33181  
 Telephone: 786.600.4687 / Toll Free: 844.218.8477  
 Fax: 786.661.4100



## Double Door Series Refrigerator & Freezer Top Mount Compressor

KTSR-3 | KTSF-3



Model Number	Description	# of Doors	# of Shelves	Capacity (cubic ft)	External Dimensions w/handle (W x D x H in)	Internal Dimensions (W x D x H in)	Compressor Size	Voltage / Frequency	Amps	Working Temp	Refrigerant	Ship Weight (lbs)
KTSR-3	Top Mount Double Door Refrigerator	3	9	67.9	81.1 x 34.89 x 81.8	77.2 x 24.3 x 53.8	1/2	115V 60 HZ	6.3	33°F to 39°F	R-290	571
KTSF-3	Top Mount Double Door Freezer	3	9	67.3	81.1 x 34.89 x 81.8	77.2 x 24.3 x 53.8	1	115V 60 HZ	8.4	5°F to -9°F	R-290	600



Nema 5-15P  
Dedicated Circuit

These units are designed for maximum performance in an air-conditioned area of 75°F ambient temperature and 55% relative humidity. There must be adequate ventilation at the top, sides & rear of the unit for proper operation.

Warranty: 36 months parts and labor.  
Additional 24 months on compressor (part only)

KOOL-IT is a registered trademark of MVP Group.  
Specifications subject to change without notice.



5659 Royalmount Ave.  
Montreal, QC, Canada H4P 2P9  
Telephone: 514.737.9701 / Toll Free: 888.275.4538  
Fax: 514.342.3854 / Toll Free: 877.453.8832  
sales@mvpgroupcorp.com / mvpgroupcorp.com

12000 Biscayne Blvd., Suite # 108  
Miami, FL, United States 33181  
Telephone: 786.600.4687 / Toll Free: 844.218.8477  
Fax: 786.661.4100