



"WE MAKE THE KITCHEN BETTER!"

Toll Free: 855-855-0399 Email: info@atosausa.com
www.atosa.com | www.atosausa.com
California, Colorado, Florida, Georgia, Illinois,
Massachusetts, New Jersey, Ohio, Texas, Washington

Black Exterior Glass Door Refrigerator Merchandiser

MODELS:
MCF8726GR

Standard Features

- Black steel exterior with stainless steel interior
- Lighted header panel
- LED interior lighting standard
- Dixell electronic controller
- Maintains temperatures between 33°F – 40°F
- Three (3) shelves standard per section
- Double pane glass door
- Self-closing door with automatic stay open feature
- Recessed door handle
- Door lock standard
- Magnetic door gasket
- Self-contained bottom mount refrigeration system with environmentally friendly R290 refrigerant
- Pre-installed casters
- Pre-installed shelves
- NEMA-5-15P plug standard



MCF8726GR

Optional Accessories

- Extra shelves – includes 4 shelf clips per shelf

Model#	Lighted header panel overall dimensions
MCF8726GR	23 ^{7/8} x 4 ^{1/2}

For the best results of food preservation we recommend setting your refrigerator between 33 °F - 38 °F

1. Don't forget to leave the unit some room to breathe!
2. Please clean the condenser frequently to give the unit more fresh air.



2 YEAR PARTS AND LABOR WARRANTY (US ONLY)
5 YEAR COMPRESSOR PART WARRANTY (US ONLY)





"WE MAKE THE KITCHEN BETTER!"

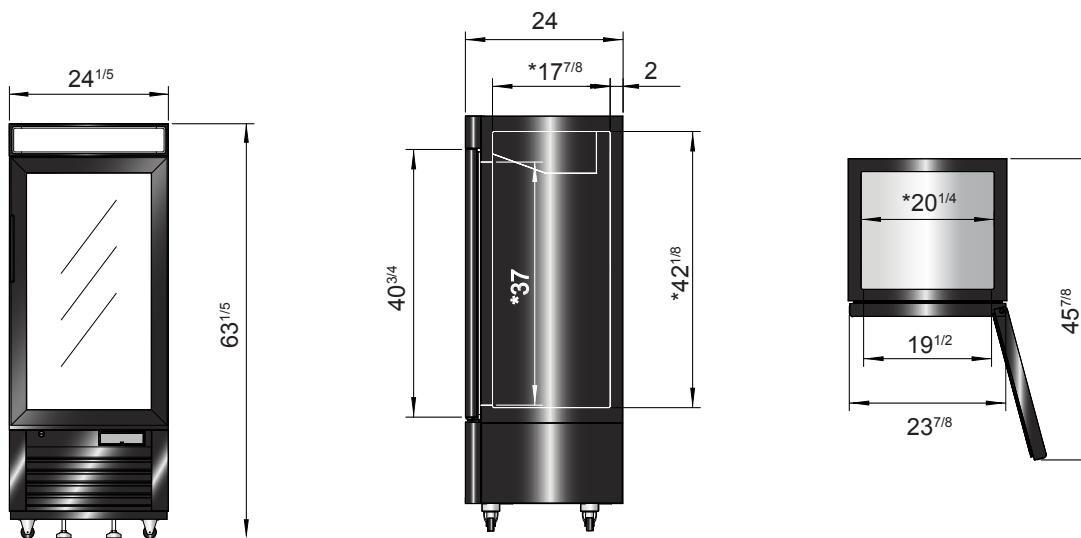
Toll Free: 855-855-0399 Email: info@atosausa.com
 www.atosa.com | www.atosausa.com
 California, Colorado, Florida, Georgia, Illinois,
 Massachusetts, New Jersey, Ohio, Texas, Washington

SPECIFICATIONS

Models	Door	Capacity (Cu.Ft.)	Shelves	Casters (inch)	Amps (A)	Voltage (V/Hz/Ph)	HP	Refrigerant	Exterior Dimensions (inch)	Net Weight (lbs)	Gross Weight (lbs)
MCF8726GR	1	8.3	3	2	2.1	115/60/1	1/7	R290	24 ^{1/5} ×24×63 ^{1/5}	190	210

PLAN VIEW

MCF8726GR



*Interior Dimensions

SELF-CLOSING
AND STAY OPEN
DOOR FEATURE

Casters



Temperature control



Door lock



LED lights



Epoxy shelves



NEMA 5-15P



NEMA
15A/125V