



The Legacy Companies

3355 Enterprise Avenue, Suite 160, Fort Lauderdale, FL 33331

Sales: (954) 202-7419 • Sales@TheLegacyCompanies.com

Tech Service: (877) 368-2797 • Service@MaxxHelp.com

Project Name: _____

Location: _____

Item #: _____ Qty: _____

Model: _____

www.MaxximumFoodService.com

100lb SELF CONTAINED ICE MAKER (w/ Integrated Ice Bin)

Model: MIM100

International Model: Add -50 (220V/50Hz/1Ph)
or -60 (220V/60Hz/1Ph)



Top View



Bottom



Individual Cube

Inches: 1.38 x 1.19 x 1.3
mm: 35 x 30 x 33

Self contained ice maker. For freestanding or built in, undercounter applications. Can produce up to 110 pounds of ice per day (under the right conditions). Includes a self-contained 35 pound storage bin. Stainless steel construction provides durability to a unit that is low-maintenance and easy to clean. Front breathing design. Vertical evaporator and proven ice making technology assures years of reliable ice production.

ICE PRODUCTION

Air Temp 70°F (21°C) Water Temp 50°F (10°C)
Daily Ice Production: 110 lbs (50kg)

Air Temp 90°F (32°C) Water Temp 70°F (21°C)
Daily Ice Production: 90 lbs (41kg)

Storage Bin holds 35lbs of ice with automatic overflow prevention
Gravity Drain is required.

OPERATING REQUIREMENTS

Ambient Temp Range	50° to 99°F (10° to 37°C)
Water Temp Range	40° to 90°F (4° to 32°C)
Water Usage 100lbs (45.4kg) of Ice	21 Gallons (79L)
Water Supply Line Connection	3/8" FPT
Water Pressure Range	
Min PSI 15	Max PSI 80 (above 80 requires a regulator)
Min Bar 1.0	Max Bar 5.5
Energy Consumption kWh/100 lb (45.4 kg) 90°F(32°C)/70°F(21°C)	11.82 kWh/100 lb of ice made

REFRIGERANT

- CFC & HCFC free R-134A

ELECTRIC

120V/60Hz/1 Ph (NEMA 5-15P)

(220V/50-60Hz/1ph available as an option)



FEATURES and CONSTRUCTION

- Exterior Material: Stainless Steel with Black Trim
 - Air Cooled Compressor
 - Programmable, solid state, digital electronic control system.
 - Built-In Self Cleaning Mode
 - Includes Scoop
 - Includes Tubing for Supply and Drain Lines
 - Includes NEMA 5-15 cord set for simple installation
- * Water Filter Recommended

Maxx Ice WARRANTY (USA / CANADA)

One (1) year parts
 One (1) year on-site labor
 Five (5) years compressor (part only)
 Administered by The Legacy Companies, 877.368.2797



Due to periodic changes in designs, methods, procedures, policies and regulations, the specifications contained in this sheet are subject to change without notice. While we exercise good faith efforts to provide information that is accurate, we are not responsible for errors or omissions in information provided or conclusions reached as a result of using the specifications.

By using the information provided, the user assumes all risks in connection with such use.

The built in performance enhancing functions ensure that given proper attention and preventative maintenance, each Maxx Product will deliver years of trouble free, reliable, low maintenance, efficient operation.



The Legacy Companies

3355 Enterprise Avenue, Suite 160, Fort Lauderdale, FL 33331

Sales: (954) 202-7419 • Sales@TheLegacyCompanies.com

Tech Service: (877) 368-2797 • Service@MaxxHelp.com

Project Name: _____

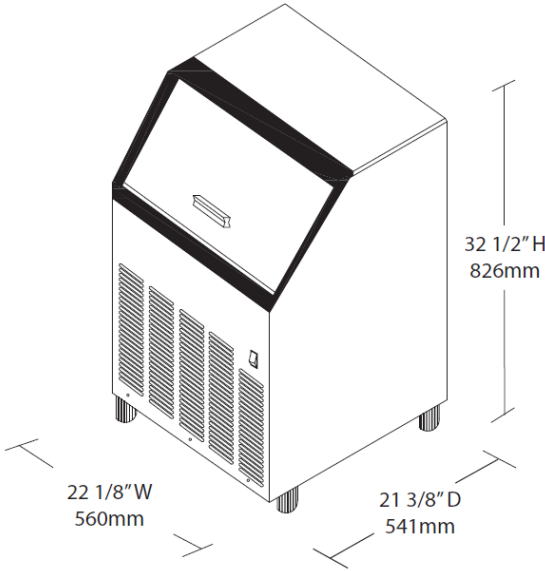
Location: _____

Item #: _____ Qty: _____

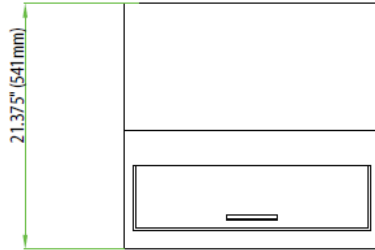
Model: _____

www.MaximumFoodService.com

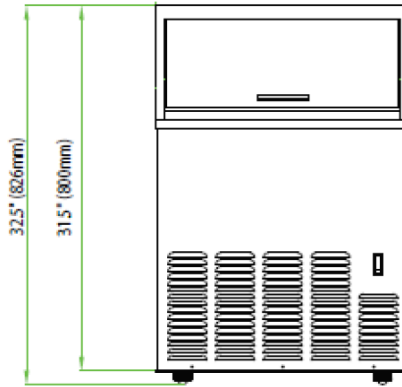
100lb SELF CONTAINED ICE MAKER (w/ Integrated Ice Bin)



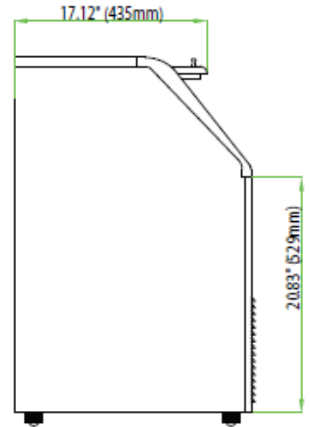
Top View



Front View



Side View



	MIM100
In: External Dimensions W x D X H	22.125 x 21.375 x 32.5
mm: External Dimensions W x D X H	560 x 541 x 826
Electrical Amp Draw	
120V	11.8 max (normal or nominal draw 6.8 amps)
220V	6.7 max (normal or nominal draw 3.9 amps)
Unit Weight	106 lb / 48kg
Shipping Weight	125 lb / 57 kg

Due to periodic changes in designs, methods, procedures, policies and regulations, the specifications contained in this sheet are subject to change without notice.

While we exercise good faith efforts to provide information that is accurate, we are not responsible for errors or omissions in information provided or conclusions reached as a result of using the specifications.

By using the information provided, the user assumes all risks in connection with such use.