

Project:	Quantity:
Model #:	Approval:

For Commercial Use Only

30" x 36" Stainless Steel Enclosed Base Work Table with Sliding Doors and Adjustable Shelf



STANDARD FEATURES

- Fully Enclosed Base Table
- 30"D x 36"L Worktop Area
- Stainless Steel Construction
- Sliding Doors
- Adjustable and Removable Shelf
- Adjustable S/S Bullet Feet
- **Optional 5" Height Backsplash**

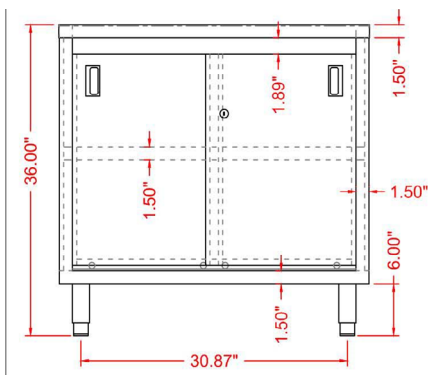
Bring versatility, durability and convenience to your food prep routines with this Prepline 30"D x 36"L stainless steel enclosed base work tables.

TECHNICAL DATA

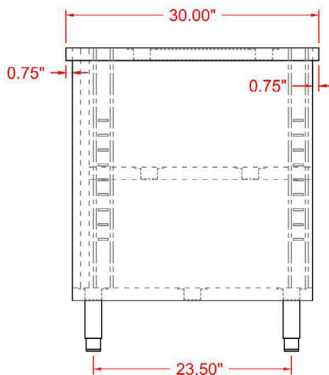
Model	Length	Width	Work Surface Height	Backsplash Height	Stainless Steel Type	Packaging Dimensions
PC-3036	36"	30"	36"	/	430	31" x 37" x 8"
PCB-3036	36"	30"	36"	5"	430	33" x 37" x 8"



FRONT



SIDE



TOP

