



FOOD EQUIPMENT

SERVING THE FOOD INDUSTRY SINCE 1951

1800-WATT SINGLE PANINI GRILL WITH RIBBED TOP AND BOTTOM
ITEM: 19936 MODEL: PG-CN-0679-R

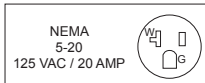


THE PERFECT GRILL TO SERVE YOUR FAVORITE SANDWICHES ANYTIME

Ideal for panini, foccacia, and pita sandwiches, Omcan's 12" x 15" Ribbed Sandwich Grill has a stainless steel body with cast iron grilling surfaces for easy cleaning.



WARRANTY
PARTS AND LABOR



Authorized Dealer

FOOD EQUIPMENT

1800-WATT SINGLE PANINI GRILL WITH RIBBED TOP AND BOTTOM

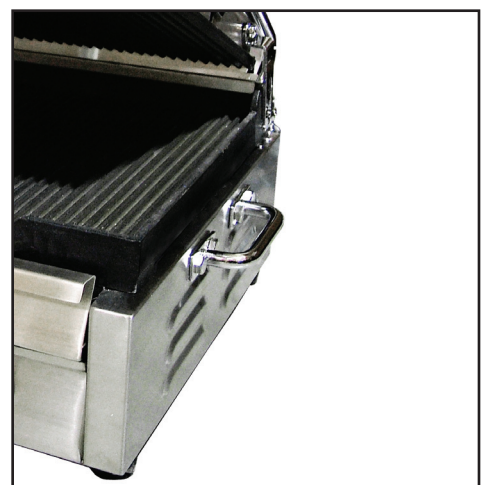


TECHNICAL SPECIFICATIONS

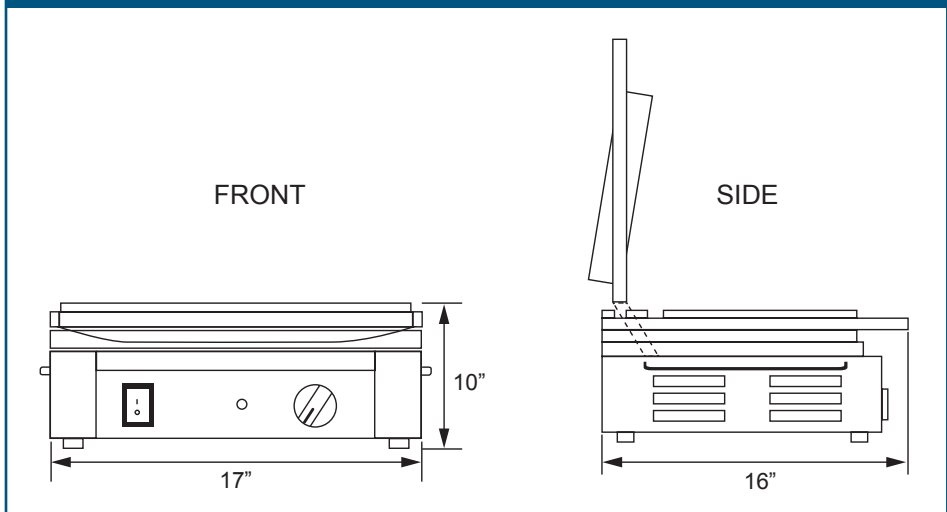
ITEM NUMBER	19936
MODEL	PG-CN-0679-R
GRILL SURFACE	12" x 15" / 304.8 x 381 mm
THERMOSTAT CONTROL	300°C / 572°F
AMPS	16
POWER	1.8 kW
ELECTRIC	120 V / 60 Hz / 1 Ph
TOP GRILL	Ribbed
BOTTOM GRILL	Ribbed
NET WEIGHT	59.4 lbs. / 27 kg.
GROSS WEIGHT	63.8 lbs. / 29 kg.
DIMENSIONS (DWH)	16" x 17" x 10" / 410 x 438 x 248 mm
PACKAGING DIMENSIONS	20" x 21.25" x 13.75" / 508 x 540 x 349 mm



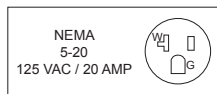
TEMPERATURE CONTROL ON/OFF SWITCH



TECHNICAL DRAWING AND DIMENSIONS



WARRANTY
PARTS AND LABOR



OMCAN INC.

Telephone: 1-800-465-0234
 Fax: (905) 607-0234
 Email: sales@omcan.com
 Website: www.omcan.com



Follow us to keep up to date with the latest news and offers

