



FOOD EQUIPMENT

SERVING THE FOOD INDUSTRY SINCE 1951

3200-WATT DOUBLE PANINI GRILL WITH RIBBED TOP AND BOTTOM ITEM: 19937 MODEL: PG-CN-0711-R

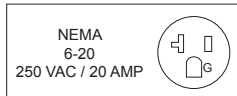


THE PERFECT GRILL TO SERVE YOUR FAVORITE SANDWICHES ANYTIME

Ideal for panini, foccacia, and pita sandwiches, Omcan's 10" x 18" Ribbed Sandwich Grill has a stainless steel body with cast iron grilling surfaces for easy cleaning.



WARRANTY
PARTS AND LABOR



Authorized Dealer

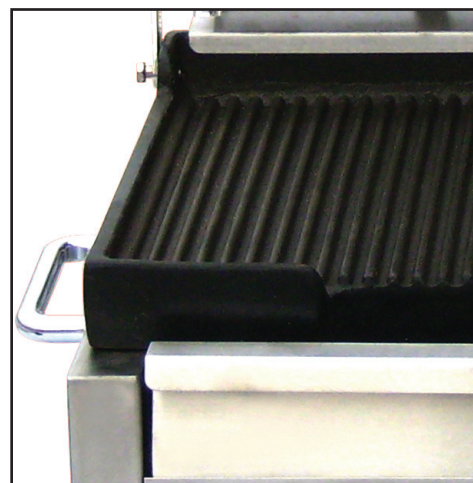
FOOD EQUIPMENT

3200-WATT DOUBLE PANINI GRILL WITH RIBBED TOP AND BOTTOM

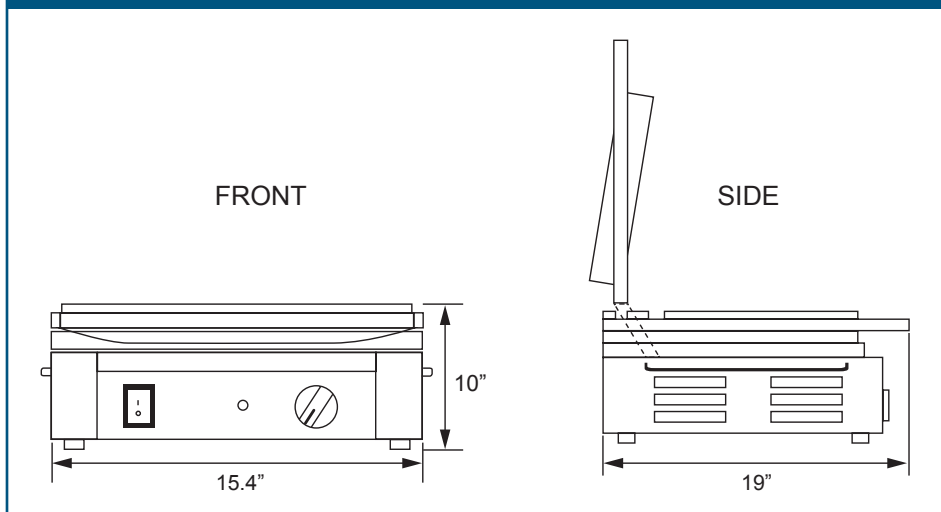


TECHNICAL SPECIFICATIONS

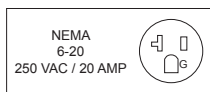
ITEM NUMBER	19937
MODEL	PG-CN-0711-R
GRILL SURFACE	10" x 18" / 254 x 457 mm
THERMOSTAT CONTROL	300°C / 572°F
AMPS	13.3
POWER	3.2 kW
ELECTRIC	220 V / 60 Hz / 1 Ph
TOP GRILL	Ribbed
BOTTOM GRILL	Ribbed
NET WEIGHT	75 lbs. / 34 kg.
GROSS WEIGHT	83 lbs. / 38 kg.
DIMENSIONS (DWH)	19" x 15.4" x 10" / 483 x 391 x 248 mm
PACKAGING DIMENSIONS	25" x 20" x 16" / 635 x 508 x 406 mm



TECHNICAL DRAWING AND DIMENSIONS



WARRANTY
PARTS AND LABOR



OMCAN INC.

Telephone: 1-800-465-0234

Fax: (905) 607-0234

Email: sales@omcan.com

Website: www.omcan.com



Follow us to keep up to date with the latest news and offers



2015.E.O.E