



FOOD EQUIPMENT

SERVING THE FOOD INDUSTRY SINCE 1951

EUROPEAN STYLE RESIDENTIAL PASTA SHEETER

Item: 13234

Model: PM-IT-0146



With its electric motor, the PM-IT-0146 quickly makes sheets of pasta in six different thickness and cuts it into two types of pasta: tagliatelle (2mm) and fettuccine (6.5mm). Ideal for home use.



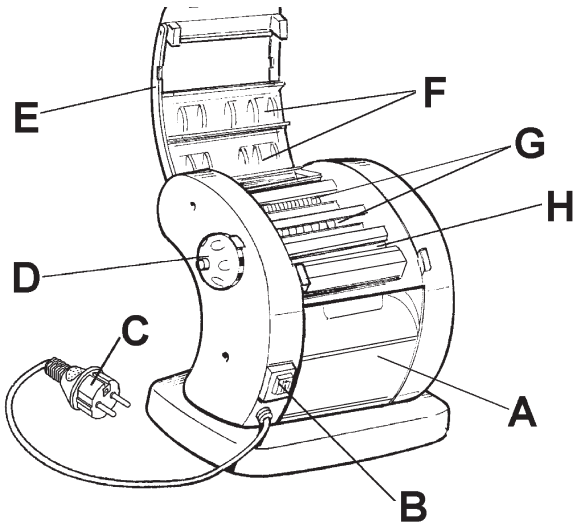
Authorized Dealer



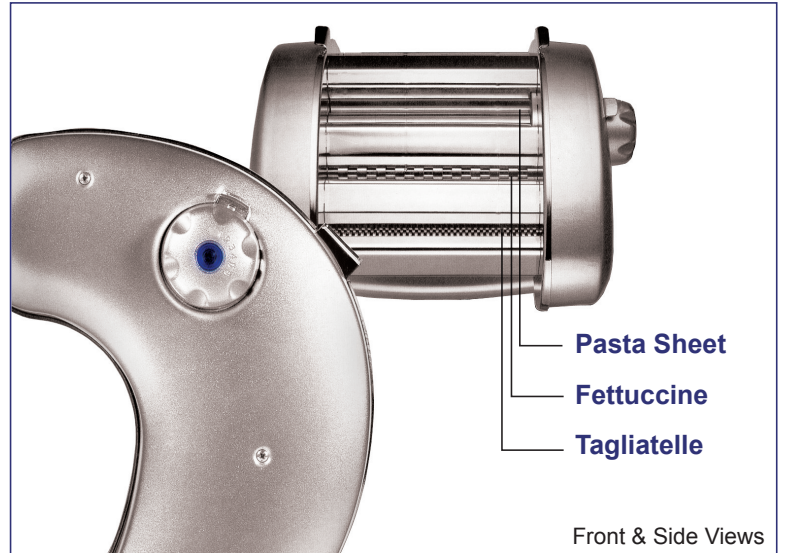
LIMITED WARRANTY
PARTS AND LABOR



Parts and Descriptions



- A. Machine body
- B. Main switch
- C. Power
- D. Adjustment Knob
- E. Safety guard
- F. Mobil guards
- G. Cutter rollers
- H. Stretching Rollers



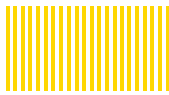
Front & Side Views

Optional Cutters*



Spaghetti Ø 2mm

Item 16991



Capelli d' Angelo 1.5mm

Item 16988



Trenette 4mm

Item 16989



Lasagnette 12mm

Item 16990

TECHNICAL SPECIFICATION

ITEM NUMBER	13234
MODEL	PM-IT-0146
ROLLER WIDTH	5.75" / 146 mm
MAXIMUM ROLLER OPENING	0.07" / 1.9 mm
ROLLER REVOLUTION SPEED	36 min / 48 Max.
NOMINAL POWER	85W
ELECTRICAL	120V/60Hz/1
NET WEIGHT	6 kg/ 13 lbs
GROSS WEIGHT	6.3 kg/ 14 lbs.
NET DIMENSIONS	10.5" x 8.25" x 10.5" 266.7 x 209.6 x 266.7 mm
GROSS DIMENSIONS	10" x 12" x 12" 254 x 304.8 x 304.8 mm

NEMA
5 - 15
125 VAC / 15 AMP



*Size not exactly as shown. Other types of cutters also available - CALL for more information

OMCAN INC.

Telephone: 1-800-465-0234

Fax: (905) 607-0234

Email: sales@omcan.com

Website: www.omcan.com



Follow us to keep up to date with the latest news and offers



2015.E.O.E