

12” Heavy Duty Manual Slicer

Standard Features

- 12” special alloy knife (Rasspe®, high quality brand made in Italy), longer lasting and easier to sharpen
- 1/2HP powerful knife motor with permanently lubricated ball bearings, overload protection
- Aluminum alloy one-piece base with stain resistant and easy clean anodized finish
- Top mounted metal knife sharpener with two stones for a razor sharp cutting edge
- High quality metal index knob control gets 0 to 9/16” (14mm) precision slice thickness adjustment
- Permanent ring guard protects entire non-slicing portion of the knife, with removable cover and deflector
- Knife cover interlock prevents slicer from operating without knife cover in place
- Sealed splash zones for added sanitation and seamless edges and radius corners
- Large square food receiving plate
- Big carriage angle 42° angle, full gravity feed food chute
- Power switch secures no voltage release preventing inadvertent reactivation of slicer in the event of power or interlock interruption
- High quality aluminum base, food chute and feet

MODELS:

PPSL-12HD

PPSL-12HD FRONT VIEW



PPSL-12HD ANGLE



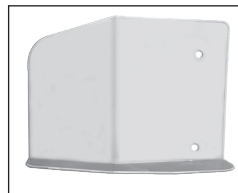
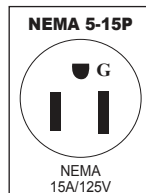
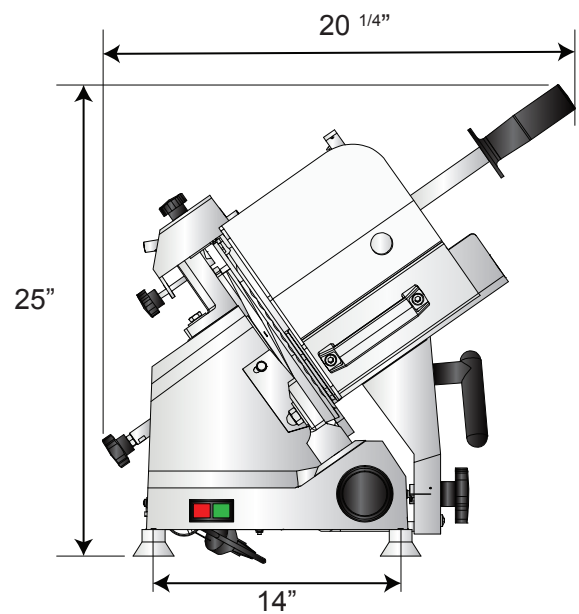
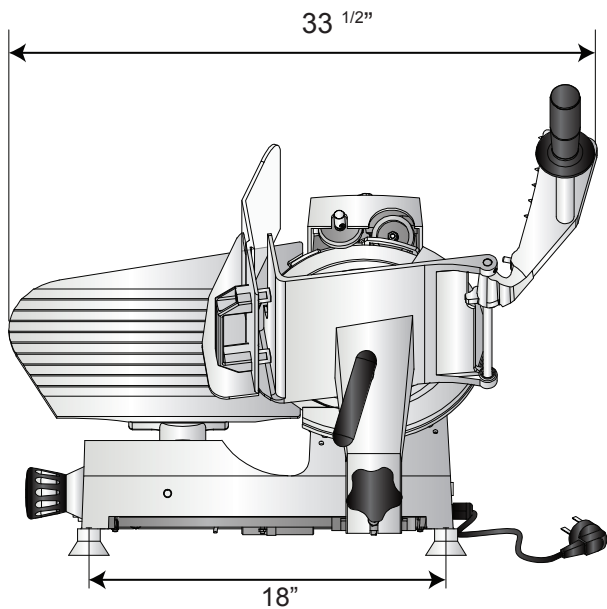
1 YEAR PARTS AND LABOR WARRANTY (US ONLY)



SPECIFICATIONS

Model	Horsepower	Watts	Voltage	Amps	Drive Type	Width	Depth	Height	Weight
PPSL-12HD	1/2HP	370w	120	3.4	Belt Driven	18"	14"	25"	77 lbs

PLAN VIEW



1 YEAR PARTS AND LABOR WARRANTY (US ONLY)

