

## 14" Heavy Duty Slicer

### Standard Features

- 14" special alloy knife (Rasspe®, high quality brand made in Italy), longer lasting and easier to sharpen
- 1/2HP knife motor with permanently lubricated ball bearings, overload protection
- Aluminum alloy one-piece base with stain resistant and easy clean anodized finish
- Top mounted, removable all metal knife sharpener with two stones for a razor sharp cutting edge
- High Quality metal Index knob control gets 0 to 9/16" (14mm) precision slice thickness adjustment
- Permanent ring guard protects entire non-slicing portion of the knife, with removable cover and deflector
- Knife cover interlock prevents slicer from operating without knife cover in place
- Sealed splash zones for added sanitation and protection of electronics
- Angled gravity feed food chute
- Power switch secures no voltage release preventing inadvertent reactivation of slicer in the event of power or interlock interruption
- High quality aluminum base, food chute and feet

### MODELS:

PPSL-14

**PPSL-14 FRONT VIEW**



**PPSL-14 ANGLE**



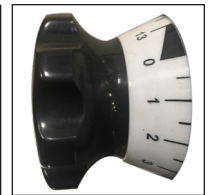
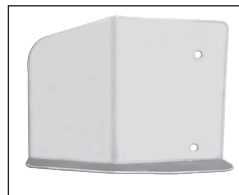
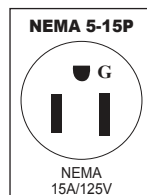
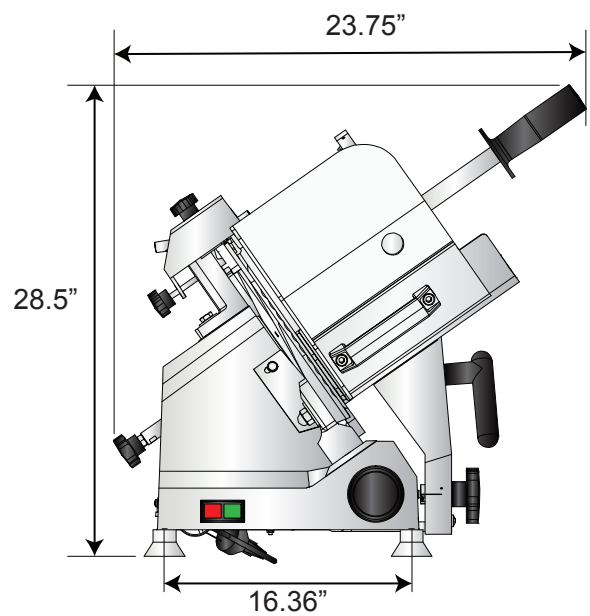
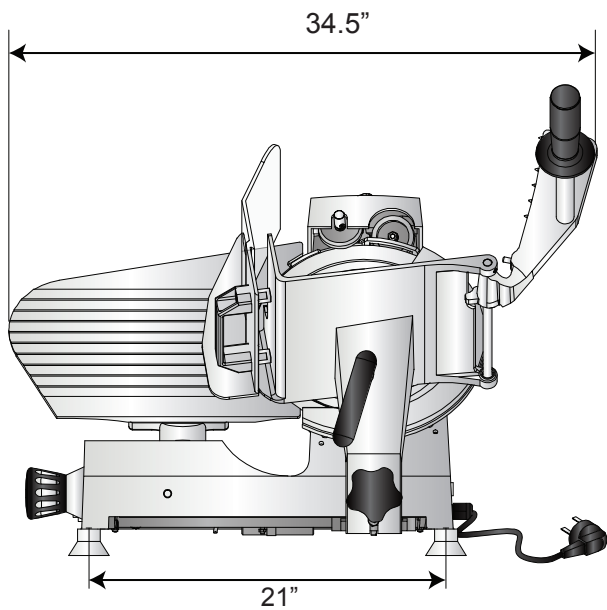
1 YEAR PARTS AND LABOR WARRANTY (US ONLY)



## SPECIFICATIONS

Model	Horsepower	Watts	Voltage	Amps	Drive Type	Width	Depth	Height	Weight
PPSL-14	1/2HP	370w	120	3.4	Belt Driven	21"	16.36"	28.5"	101 lbs

## PLAN VIEW



1 YEAR PARTS AND LABOR WARRANTY (US ONLY)

